

Limiting Amplifier for Applications up to 2.5 Gbps

M02050

M02050 can support either a 3.3V or 3.3V/5V supply

The M02050 is an integrated high-gain limiting amplifier. Featuring PECL outputs, the M02050 is usable in applications up to 2.5 Gbps. Full output swing is achieved even at minimum input sensitivity. The M02050 operates with a 3.3V or 3.3V/5V supply.

Rate select is supported for SFP applications and/or to achieve optimum sensitivity at data rates ≤ 1.25 Gbps. When rate select is high, optimum sensitivity is achieved at 2.5 Gbps.

The M02050 also includes two analog RSSI outputs proportional to either the average or peak-to-peak input signal and a programmable signal-level detector allowing the user to set thresholds at which the logic outputs are enabled. The M02050 is pin compatible with the M02040 2.1 Gbps post amplifier.

Inputs

The data inputs are internally connected to V_{TT} via 50Ω resistors, and generally need to be AC coupled. The nominal V_{TT} voltage is 2.85V because of the internal resistor divider to V_{CC} , which means this is the DC potential on the data inputs. See the applications information section for further details on choosing the AC-coupling capacitor.

DC Offset Compensation

M02050 contains an internal DC autozero circuit that can remove the effect of DC offsets without using external

KEY FEATURES

- > 4 mV maximum input sensitivity at 2.5 Gbps
- > PECL outputs
- > Rate selection for ≤ 1.25 Gbps
- > Average and peak-to-peak receive power monitor outputs
- > Low power (< 180 mW)
- > 16 pin 3x3 QFN, standard/green package

components. This circuit is configured such that the feedback is effective only at frequencies well below the lowest frequency of interest. The low frequency cut off is typically 25 kHz.

PECL Outputs

The M02050 features 100k/300k PECL compliant outputs. The outputs may be terminated using any standard AC or DC-coupling PECL termination technique. AC-coupling is used in applications where the average DC content of the data is zero e.g. SONET. The advantage of this approach is lower power consumption, no susceptibility to DC drive and compatibility with non-PECL interfaces.

Loss of Signal (LOS)

The M02050 features input signal level detection over an extended range. Using an external resistor, RST, between pin ST_{SET} and V_{CC} , the user can program the input signal threshold. The LOS signal is active when the signal is below the threshold value. The signal detection circuitry has the equivalent of 3.5 dB (typical) electrical hysteresis. RST establishes a threshold voltage at the ST_{SET} pin. Internally,



the input signal level is monitored by the level detector (which also outputs the $RSSI_{PP}$ voltage). As described in the $RSSI_{PP}$ section, this voltage is proportional to the input signal peak to peak value. The voltage at ST_{SET} is internally compared to the signal level from the level detector. When the level detector voltage is less than $V(ST_{SET})$, LOS is asserted and will stay asserted until the input signal level increases by a predefined amount of hysteresis. When the input level increases by more than this hysteresis above $V(ST_{SET})$, LOS is de-asserted.

Peak-to-Peak Received Strength Indicator ($RSSI_{PP}$)

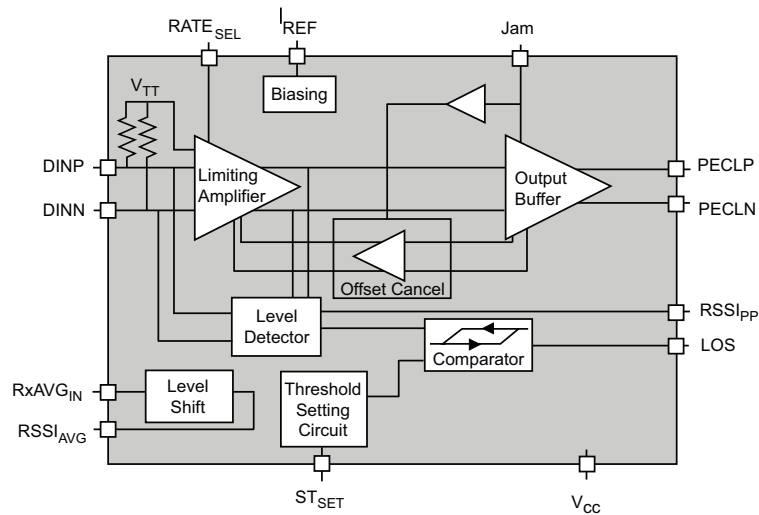
The $RSSI_{PP}$ output voltage is logarithmically proportional to the peak-to-peak level of the input signal. It is not necessary to connect an external capacitor to this output. Internally, the RSSI voltage is compared with a user selectable reference to determine loss of signal as described in the previous section.

Jam Function

When asserted, the active high power down (Jam) pin forces the outputs to a logic "one" state. This ensures that no data is propagated through the system. The loss of signal detection circuit can be used to automatically force the data outputs to a high state when the input signal falls below the threshold. The function is normally used to allow data to propagate only when the signal is above the user's bit-error-rate requirement. It, therefore, inhibits the data outputs toggling due to noise when there is no signal present ("squelch"). In order to implement this function, LOS should be connected to the Jam pin, thus forcing the data outputs to a logic "one" state when the signal falls below the threshold.

Averaged Received Strength Indicator ($RSSI_{AVG}$)

The $RSSI_{AVG}$ output current is a mirrored version of the $RxAVG_{IN}$ current from compatible TIAs. It sources rather than sinks the current making it compatible with DDML type interfaces.



M02050 Block Diagram

Product Highlights

Applications

- 2.5 Gbps STM-16/OC-48 SDH/SONET
- 1.06, 2.12 Gbps Fibre Channel
- 1.25 Gbps Ethernet
- 2.67 Gbps SDH/SONET with FEC

Features

- Operates with a 3.3V ("–14") or 3.3V/5V ("–15") supply
- 4 mV maximum input sensitivity at 2.5 Gbps
- CML outputs

Ordering Information

- M02050-14 3.3V supply
- M02050-15 3.3V/5.5V supply

www.mindspeed.com/salesoffices

General Information: (949) 579-3000
 Headquarters – Newport Beach
 4000 MacArthur Blvd., East Tower
 Newport Beach, CA 92660-3007
 02050-BRF-001-A

© 2005 Mindspeed Technologies, Inc. All rights reserved. Mindspeed and the Mindspeed logo are trademarks of Mindspeed Technologies. All other trademarks are the property of their respective owners. Although Mindspeed Technologies strives for accuracy in all its publications, this material may contain errors or omissions and is subject to change without notice. This material is provided as is and without any express or implied warranties, including merchantability, fitness for a particular purpose and non-infringement. Mindspeed Technologies shall not be liable for any special, indirect, incidental or consequential damages as a result of its use.

MINDSPEED
 BUILD IT FIRST™