

FEATURES

Implementation of a JPEG2000-compatible video CODEC for video and still images through the ADV212 Wavescale video compression/decompression engine

Identical pinout and footprint to the ADV202; and support for all the functionality of the ADV202

Power reduction of at least 30% compared with ADV202

JTAG/boundary scan support

Patented spatial ultraefficient recursive filtering (SURF) technology for low power, low cost wavelet-based compression

Support for both 9/7 and 5/3 wavelet transforms with up to 5 levels of transform

9/7 wavelet support for tiles up to 1.048 million samples

5/3 wavelet support for tiles up to 262,144 samples

Video interface direct support for ITU-R BT.656, SMPTE 125M PAL/NTSC, SMPTE 274M, SMPTE 293M (525p), and ITU-R BT.1358 (625p) or any video format with a maximum input rate of 65 MSPS for irreversible mode or 40 MSPS for reversible mode

Programmable tile/image size with widths of up to 4096 pixels in single-component mode; maximum tile/image height of 4096 pixels

Ability to combine 2 or more ADV212s to support full-frame SMPTE 274M HDTV (1080i) or SMPTE 296M (720p)

Flexible, asynchronous SRAM-style host interface support for glueless connection to most 16-/32-bit microcontrollers and ASICs

2.5 V or 3.3 V input/output and 1.5 V core supply

2 package and speed grade options

12 mm × 12 mm, 121-ball CSP_BGA with a speed grade of 115 MHz

13 mm × 13 mm, 144-ball CSP_BGA with a speed grade of 150 MHz

APPLICATIONS

Networked video and image distribution systems

Wireless video and image distribution

Image archival/retrieval

Digital CCTV and surveillance systems

Digital cinema systems

Professional video editing and recording

Digital still cameras

Digital camcorders

GENERAL DESCRIPTION

The ADV212 Wavescale® video compression/decompression (CODEC) is a single-chip JPEG2000 CODEC targeted for video and high bandwidth image compression applications that can benefit from the enhanced quality and features provided by the JPEG2000 (J2K) ISO/IEC15444-1 image compression standard. The part implements the computationally intensive operations of the JPEG2000 image compression standard and provides fully compliant code stream generation for most applications.

The dedicated video port of the ADV212 provides glueless connection to common digital video standards such as ITU-R BT.656, SMPTE 125M, SMPTE 293M (525p), ITU-R BT.1358 (625p), SMPTE 274M (1080i), and SMPTE 296M (720p). A variety of other high speed, synchronous pixel and video formats can also be supported by using the programmable framing and validation signals.

The ADV212 is an upgrade version of the ADV202, which is identical in pinout and footprint. It supports all of the functionality of the ADV202 and has the following additional options: JTAG/boundary scan support and power reduction of at least 30% compared with the ADV202.

Rev. B

Information furnished by Analog Devices is believed to be accurate and reliable. However, no responsibility is assumed by Analog Devices for its use, nor for any infringements of patents or other rights of third parties that may result from its use. Specifications subject to change without notice. No license is granted by implication or otherwise under any patent or patent rights of Analog Devices. Trademarks and registered trademarks are the property of their respective owners.

ADV212* PRODUCT PAGE QUICK LINKS

Last Content Update: 02/23/2017

COMPARABLE PARTS

View a parametric search of comparable parts.

EVALUATION KITS

- ADV212 Evaluation Tools

DOCUMENTATION

Data Sheet

- ADV212: JPEG 2000 Video Codec Data Sheet

REFERENCE MATERIALS

Informational

- Advantiv™ Advanced TV Solutions

Technical Articles

- Implementing JPEG2000 compression
- JPEG2000 Codec for Robust, Scalable Pro and Consumer Video

DESIGN RESOURCES

- ADV212 Material Declaration
- PCN-PDN Information
- Quality And Reliability
- Symbols and Footprints

DISCUSSIONS

View all ADV212 EngineerZone Discussions.

SAMPLE AND BUY

Visit the product page to see pricing options.

TECHNICAL SUPPORT

Submit a technical question or find your regional support number.

DOCUMENT FEEDBACK

Submit feedback for this data sheet.

TABLE OF CONTENTS

| | |
|---|----|
| Features | 1 |
| Applications..... | 1 |
| General Description | 1 |
| Revision History | 2 |
| JPEG2000 Feature Support..... | 3 |
| Functional Block Diagram | 3 |
| Specifications..... | 4 |
| Supply Voltages and Current | 4 |
| Input/Output Specifications..... | 4 |
| Clock and $\overline{\text{RESET}}$ Specifications | 5 |
| Normal Host Mode—Write Operation | 6 |
| Normal Host Mode—Read Operation | 7 |
| $\overline{\text{DREQ}}/\overline{\text{DACK}}$ DMA Mode—Single FIFO Write Operation .. | 8 |
| $\overline{\text{DREQ}}/\overline{\text{DACK}}$ DMA Mode—Single FIFO Read Operation . | 10 |
| External DMA Mode—FIFO Write, Burst Mode | 12 |
| External DMA Mode—FIFO Read, Burst Mode | 13 |
| Streaming Mode (JDATA)—FIFO Read/Write..... | 14 |
| VDATA Mode Timing | 15 |
| Raw Pixel Mode Timing..... | 17 |
| JTAG Timing..... | 18 |
| Absolute Maximum Ratings..... | 19 |
| Thermal Resistance | 19 |
| ESD Caution..... | 19 |
| Pin Configurations and Function Descriptions | 20 |
| Theory of Operation | 25 |
| Wavelet Engine | 25 |
| Entropy CODECs..... | 25 |
| Embedded Processor System | 25 |

REVISION HISTORY

4/10—Rev. A to Rev. B

| | |
|---|------------|
| Added Wavescale Information | Throughout |
| Changes to Features Section..... | 1 |
| Changes to Table 16..... | 20 |
| Changes to Video Interface (VDATA Bus) Section, Changes to Table 17 | 26 |
| Changes to Hardware Boot Modes Section | 31 |
| Changes to Encode—Multichip Mode Section | 34 |

| | |
|--|----|
| Memory System | 25 |
| Internal DMA Engine | 25 |
| ADV212 Interfaces..... | 26 |
| Video Interface (VDATA Bus)..... | 26 |
| Host Interface (HDATA Bus) | 26 |
| Direct and Indirect Registers | 26 |
| Control Access Registers | 27 |
| Pin Configuration and Bus Sizes/Modes | 27 |
| Stage Register | 27 |
| JDATA Mode..... | 27 |
| External DMA Engine | 27 |
| Internal Registers..... | 28 |
| Direct Registers..... | 28 |
| Indirect Registers..... | 29 |
| PLL Registers | 30 |
| Hardware Boot Modes and Power Considerations | 31 |
| Video Input Formats | 32 |
| Applications Information | 34 |
| Encode—Multichip Mode..... | 34 |
| Decode—Multichip Master/Slave | 35 |
| Digital Still Camera/Camcorder | 36 |
| Encode/Decode SDTV Video Application | 37 |
| 32-Bit Host Application..... | 38 |
| HIPI (Host Interface—Pixel Interface) | 39 |
| JDATA Interface | 40 |
| Outline Dimensions | 41 |
| Ordering Guide | 42 |

4/08—Rev. 0 to Rev. A

| | |
|--|---|
| Change to Table 1, Static Current Parameter..... | 4 |
|--|---|

10/06—Revision 0: Initial Version

The ADV212 can process images at a rate of 40 MSPS in reversible mode and at higher rates when used in irreversible mode. The ADV212 contains a dedicated wavelet transform engine, three entropy CODECs, an on-board memory system, and an embedded reduced instruction set computer (RISC) processor that can provide a complete JPEG2000 compression/decompression solution.

The wavelet processor supports the 9/7 irreversible wavelet transform and the 5/3 wavelet transform in reversible and irreversible modes. The entropy CODECs support all features in the JPEG2000 Part 1 specification except maximum shift region of interest (ROI).

The ADV212 operates on a rectangular array of pixel samples called a tile. A tile can contain a complete image, up to the maximum supported size, or some portion of an image. The maximum horizontal tile size supported depends on the wavelet transform selected and the number of samples in the tile. Images larger than the ADV212 maximum tile size can be broken into individual tiles and then sent sequentially to the chip while maintaining a single, fully compliant JPEG2000 code stream for the entire image.

JPEG2000 FEATURE SUPPORT

The ADV212 supports a broad set of features that are included in Part 1 of the JPEG2000 standard (ISO/IEC 15444).

Depending on the particular application requirements, the ADV212 can provide varying levels of JPEG2000 compression support. It can provide raw code block and attribute data output, which allows the host software to have complete control over generation of the JPEG2000 code stream and other aspects of the compression process such as bit-rate control. Additionally, the ADV212 can create a complete, fully compliant JPEG2000 code stream (J2C) and enhanced file formats such as JP2.

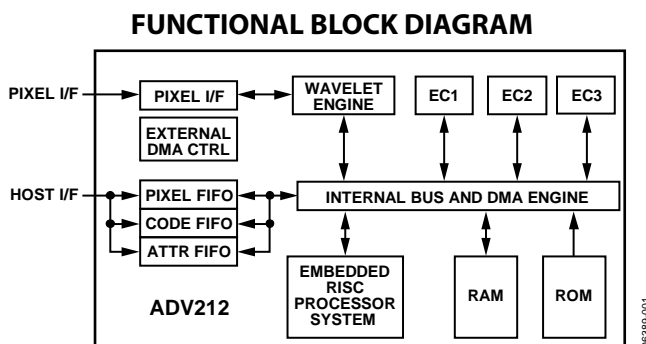


Figure 1.

SPECIFICATIONS

Specifications apply to IOVDD = 2.5 V or 3.3 V over the operating temperature range, unless otherwise specified.

SUPPLY VOLTAGES AND CURRENT

Table 1.

| Parameter | Mnemonic | Min | Typ | Max | Unit |
|--|-----------------|-------|-----|--------------------------|------|
| DC Supply Voltage, Core | V _{DD} | 1.425 | 1.5 | 1.575 | V |
| DC Supply Voltage, Input/Output | IOVDD | 2.375 | 2.5 | 2.625 | V |
| | IOVDD | 3.135 | 3.3 | 3.465 | V |
| Input Range | V _{IN} | -0.3 | | V _{DD/IO} + 0.3 | V |
| Operating Ambient Temperature Range in Free Air | T | -40 | +25 | +85 | °C |
| Static Current ¹ | I _{DD} | | 60 | | mA |
| Dynamic Current, Core (JCLK ² Frequency = 150 MHz) ³ | | | 380 | 440 | mA |
| Dynamic Current, Core (JCLK ² Frequency = 108 MHz) | | | 280 | 320 | mA |
| Dynamic Current, Core (JCLK ² Frequency = 81 MHz) | | | 210 | 290 | mA |
| Dynamic Current, Input/Output | | | 40 | 50 | mA |

¹ No clock or input/output activity.

² For a definition of JCLK, see Figure 32.

³ ADV212-150 only.

INPUT/OUTPUT SPECIFICATIONS

Table 2.

| Parameter | Mnemonic | Min | Typ | Max | Unit | Test Conditions |
|--|--------------------------------|-----|-----|-----|------|--|
| High Level Input Voltage | V _{IH} (3.3 V) | 2.2 | | | V | V _{DD} = maximum |
| | V _{IH} (2.5 V) | 1.9 | | | V | V _{DD} = maximum |
| Low Level Input Voltage | V _{IL} (3.3 V, 2.5 V) | | | 0.6 | V | V _{DD} = minimum |
| High Level Output Voltage | V _{OH} (3.3 V) | 2.4 | | | V | V _{DD} = minimum, I _{OH} = -0.5 mA |
| | V _{OH} (2.5 V) | 2.0 | | | V | V _{DD} = minimum, I _{OH} = -0.5 mA |
| Low Level Output Voltage | V _{OL} (3.3 V, 2.5 V) | | | 0.4 | V | V _{DD} = minimum, I _{OL} = +2 mA |
| High Level Input Current | I _{IH} | | | 1.0 | μA | V _{DD} = maximum, V _{IN} = V _{DD} |
| Low Level Input Current | I _{IL} | | | 1.0 | μA | V _{DD} = maximum, V _{IN} = 0 V |
| High Level Three-State Leakage Current | I _{OZH} | | | 1.0 | μA | V _{DD} = maximum, V _{IN} = V _{DD} |
| Low Level Three-State Leakage Current | I _{OZL} | | | 1.0 | μA | V _{DD} = maximum, V _{IN} = 0 V |
| Input Pin Capacitance | C _I | | | 8 | pF | |
| Output Pin Capacitance | C _O | | | 8 | pF | |

CLOCK AND RESET SPECIFICATIONS

Table 3.

| Parameter | Mnemonic | Min | Typ | Max | Unit |
|-----------------|-------------|------|-----|-------|--------------------------|
| MCLK Period | t_{MCLK} | 13.3 | | 100 | ns |
| MCLK Frequency | f_{MCLK} | 10 | | 75.18 | MHz |
| MCLK Width Low | t_{MCLKL} | 6 | | | ns |
| MCLK Width High | t_{MCLKH} | 6 | | | ns |
| VCLK Period | t_{VCLK} | 13.4 | | 50 | ns |
| VCLK Frequency | f_{VCLK} | 20 | | 74.60 | MHz |
| VCLK Width Low | t_{VCLKL} | 5 | | | ns |
| VCLK Width High | t_{VCLKH} | 5 | | | ns |
| RESET Width Low | t_{RESET} | 5 | | | MCLK cycles ¹ |

¹ For a definition of MCLK, see Figure 32.

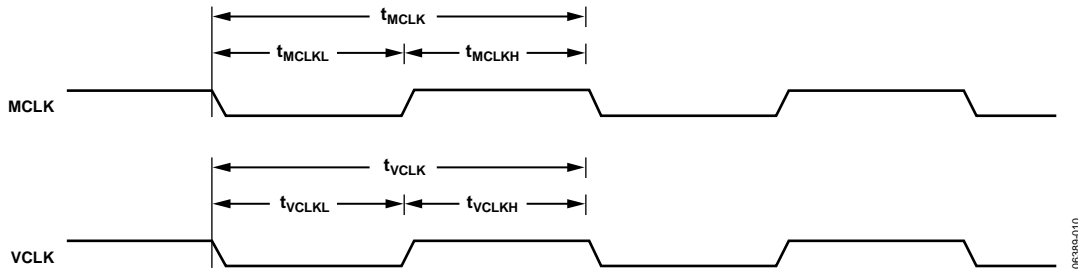


Figure 2. Input Clock

ADV212

NORMAL HOST MODE—WRITE OPERATION

Table 4.

| Parameter | Mnemonic | Min | Typ | Max | Unit |
|--|---------------------------------|--------------|-----|---------------------------|------|
| \overline{WE} to \overline{ACK} , Direct Registers and FIFO Accesses | $t_{\overline{ACK}}$ (direct) | 5 | | $1.5 \times JCLK + 7.0^1$ | ns |
| \overline{WE} to \overline{ACK} , Indirect Registers | $t_{\overline{ACK}}$ (indirect) | 5 | | $2.5 \times JCLK + 7.0^1$ | ns |
| Data Setup | t_{SD} | 3.0 | | | ns |
| Data Hold | t_{HD} | 1.5 | | | ns |
| Address Setup | t_{SA} | 2 | | | ns |
| Address Hold | t_{HA} | 2 | | | ns |
| \overline{CS} to \overline{WE} Setup | t_{SC} | 0 | | | ns |
| \overline{CS} Hold | t_{HC} | 0 | | | ns |
| Write Inactive Pulse Width (Minimum Time Until Next \overline{WE} Pulse) | t_{WH} | $2.5 JCLK^1$ | | | ns |
| Write Active Pulse Width | t_{WL} | $2.5 JCLK^1$ | | | ns |
| Write Cycle Time | t_{WCYC} | $5 JCLK^1$ | | | ns |

¹ For a definition of JCLK, see Figure 32.

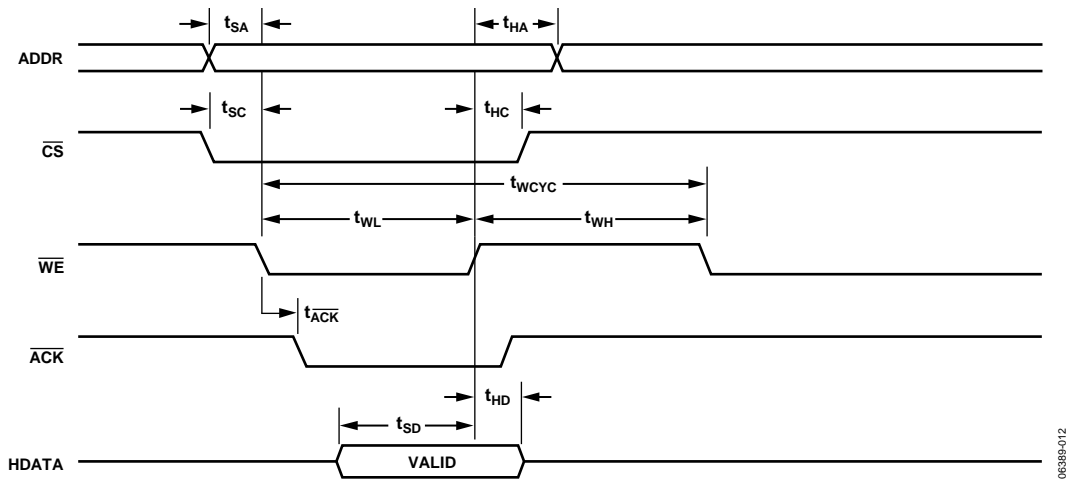


Figure 3. Normal Host Mode—Write Operation

NORMAL HOST MODE—READ OPERATION

Table 5.

| Parameter | Mnemonic | Min | Typ | Max | Unit |
|--|--|------------------------|-----|----------------------------|------|
| \overline{RD} to \overline{ACK} , Direct Registers and FIFO Accesses | $t_{\overline{ACK}}$ (direct) ¹ | 5 | | $1.5 \times JCLK + 7.0^2$ | ns |
| \overline{RD} to \overline{ACK} , Indirect Registers | $t_{\overline{ACK}}$ (indirect) ¹ | 10.5 JCLK ² | | $15.5 \times JCLK + 7.0^2$ | ns |
| Read Access Time, Direct Registers | t_{DRD} (direct) | 5 | | $1.5 \times JCLK + 7.0^2$ | ns |
| Read Access Time, Indirect Registers | t_{DRD} (indirect) | 10.5 JCLK ² | | $15.5 \times JCLK + 7.0^2$ | ns |
| Data Hold | t_{HZRD} | 2 | | 8.5 | ns |
| \overline{CS} to \overline{RD} Setup | t_{SC} | 0 | | | ns |
| Address Setup | t_{SA} | 2 | | | ns |
| \overline{CS} Hold | t_{HC} | 0 | | | ns |
| Address Hold | t_{HA} | 2 | | | ns |
| Read Inactive Pulse Width | t_{RH} | 2.5 JCLK ² | | | ns |
| Read Active Pulse Width | t_{RL} | 2.5 JCLK ² | | | ns |
| Read Cycle Time, Direct Registers | t_{RCYC} | 5.0 JCLK ² | | | ns |

¹ Timing relationship between \overline{ACK} falling transition and HDATA valid is not guaranteed. HDATA valid hold time is guaranteed with respect to \overline{RD} rising transition. A minimum of three JCLK cycles is recommended between \overline{ACK} assert and \overline{RD} deassert.

² For a definition of JCLK, see Figure 32.

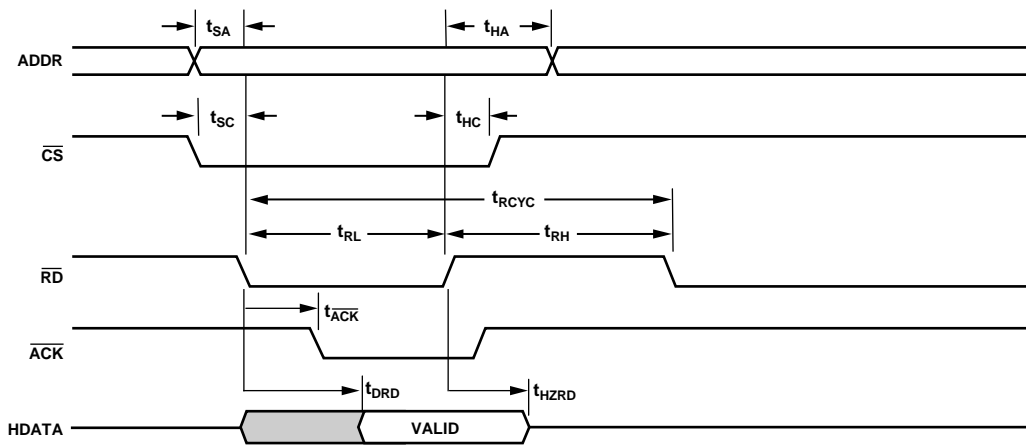


Figure 4. Normal Host Mode—Read Operation

06389-011

DREQ/DACK DMA MODE—SINGLE FIFO WRITE OPERATION

Table 6.

| Parameter | Mnemonic | Min | Typ | Max | Unit |
|--|---|-----------------------|-----|----------------------------------|------|
| DREQ Pulse Width | $\overline{\text{DREQ}}_{\text{PULSE}}$ | 1 JCLK ¹ | | 15 JCLK ¹ | ns |
| DACK Assert to Subsequent DREQ Delay | $t_{\overline{\text{DREQ}}}$ | 2.5 JCLK ¹ | | $3.5 \times \text{JCLK} + 8.5^1$ | ns |
| WE to DACK Setup | $t_{\overline{\text{WE}}_{\text{SU}}}$ | 0 | | | ns |
| Data to DACK Deassert Setup | t_{SU} | 2 | | | ns |
| Data to DACK Deassert Hold | t_{HD} | 2 | | | ns |
| DACK Assert Pulse Width | $\overline{\text{DACK}}_{\text{LOW}}$ | 2 JCLK ¹ | | | ns |
| DACK Deassert Pulse Width | $\overline{\text{DACK}}_{\text{HIGH}}$ | 2 JCLK ¹ | | | ns |
| WE Hold After DACK Deassert | $t_{\overline{\text{WE}}_{\text{HD}}}$ | 0 | | | ns |
| WE Assert to FSRQ Deassert (FIFO Full) | $\overline{\text{WFSRQ}}$ | 1.5 JCLK ¹ | | $2.5 \times \text{JCLK} + 7.5^1$ | ns |
| DACK to DREQ Deassert ($\text{DR} \times \text{PULS} = 0$) | $t_{\overline{\text{DREQ}}_{\text{RTN}}}$ | 2.5 JCLK ¹ | | $3.5 \times \text{JCLK} + 9.0^1$ | ns |

¹ For a definition of JCLK, see Figure 32.

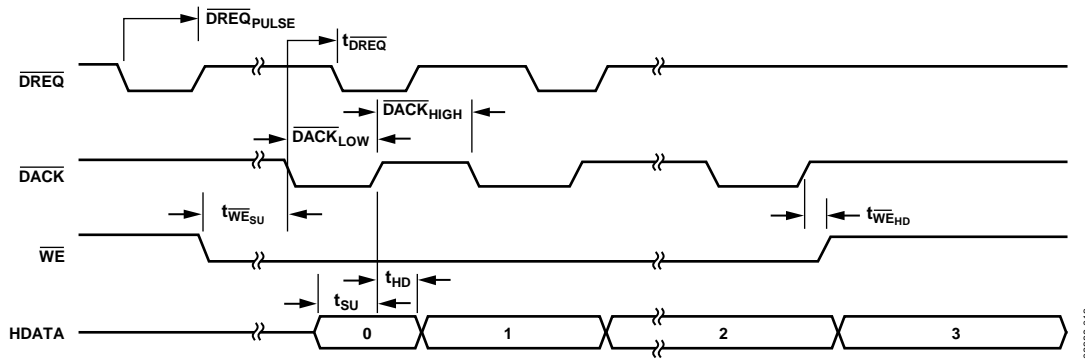


Figure 5. Single Write for DREQ/DACK DMA Mode for Assigned DMA Channel (EDMOD0/EDMOD1[14:1] Not Programmed to a Value of 0000)

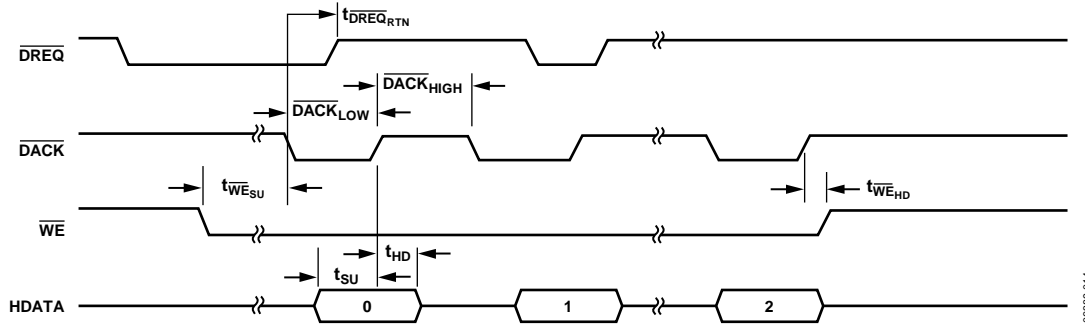


Figure 6. Single Write for DREQ/DACK DMA Mode for Assigned DMA Channel (EDMOD0/EDMOD1[14:1] Programmed to a Value of 0000)

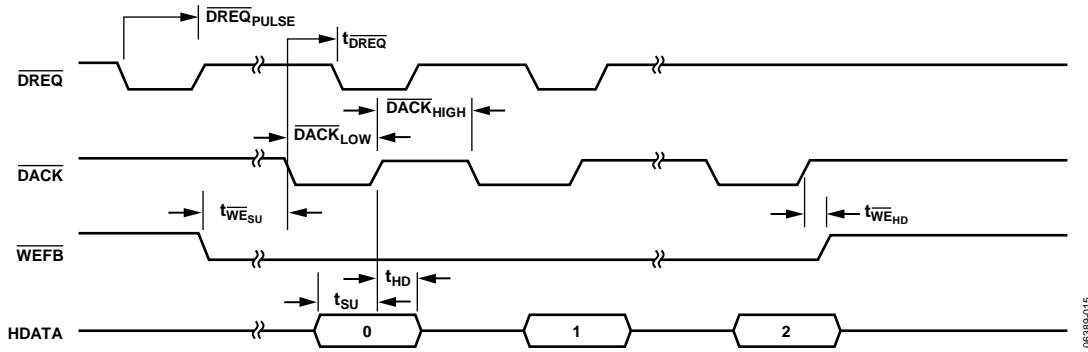


Figure 7. Single Write Cycle for Fly-By DMA Mode (DREQ Pulse Width Is Programmable)

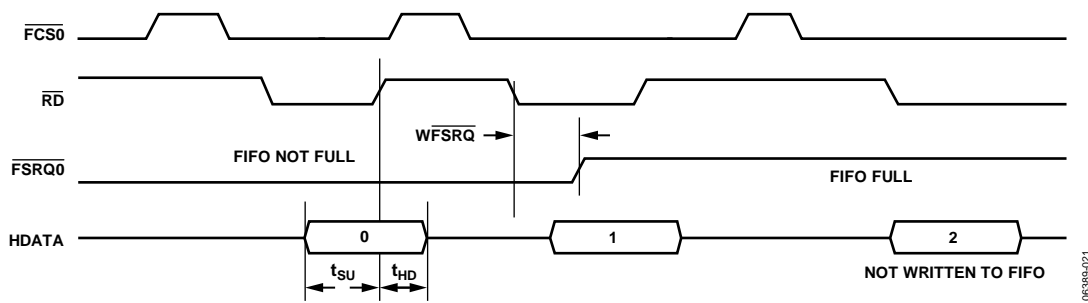


Figure 8. Single Write Access for DCS DMA Mode

DREQ/DACK DMA MODE—SINGLE FIFO READ OPERATION

Table 7.

| Parameter | Mnemonic | Min | Typ | Max | Unit |
|--|-----------------------------|-----------------------|-----|---------------------------|------|
| DREQ Pulse Width | \overline{DREQ}_{PULSE} | 1 JCLK ¹ | | 15 JCLK ¹ | ns |
| DACK Assert to Subsequent DREQ Delay | $t_{\overline{DREQ}}$ | 2.5 JCLK ¹ | | $3.5 \times JCLK + 9.0^1$ | ns |
| \overline{RD} to DACK Setup | $t_{\overline{RD}_{SU}}$ | 0 | | | ns |
| DACK to Data Valid | $t_{\overline{RD}}$ | 2.5 | | 11 | ns |
| Data Hold | t_{HD} | 1.5 | | | ns |
| DACK Assert Pulse Width | \overline{DACK}_{LOW} | 2 JCLK ¹ | | | ns |
| DACK Deassert Pulse Width | \overline{DACK}_{HIGH} | 2 JCLK ¹ | | | ns |
| \overline{RD} Hold after DACK Deassert | $t_{\overline{RD}_{HD}}$ | 0 | | | ns |
| \overline{RD} Assert to FSRQ Deassert (FIFO Empty) | \overline{RDFSQ} | 1.5 JCLK ¹ | | $2.5 \times JCLK + 9.0^1$ | ns |
| DACK to DREQ Deassert ($DR \times PULS = 0$) | $t_{\overline{DREQ}_{RTN}}$ | 2.5 JCLK ¹ | | $3.5 \times JCLK + 9.0^1$ | ns |

¹ For a definition of JCLK, see Figure 32.

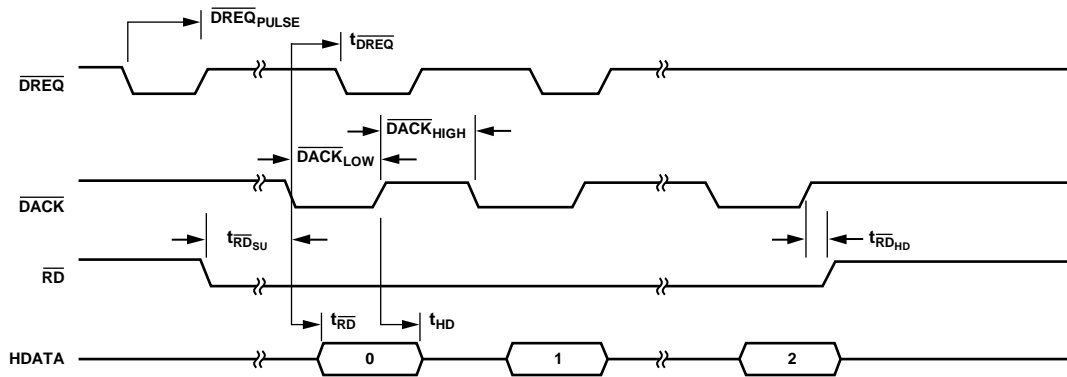


Figure 9. Single Read for DREQ/DACK DMA Mode for Assigned DMA Channel (EDMOD0/EDMOD1[14:11] Not Programmed to a Value of 0000)

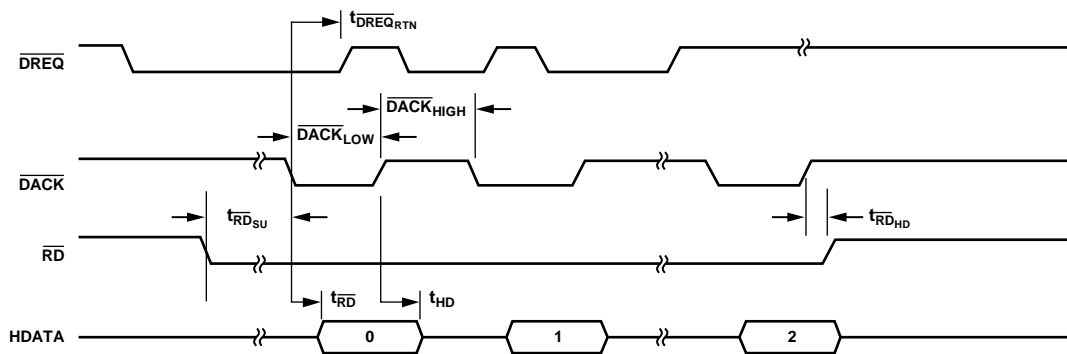


Figure 10. Single Read for DREQ/DACK DMA Mode for Assigned DMA Channel (EDMOD0/EDMOD1[14:11] Programmed to a Value of 0000)

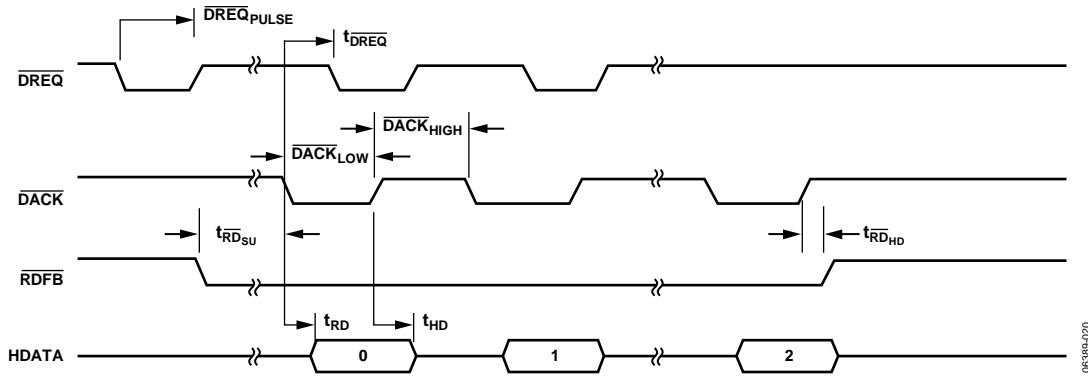


Figure 11. Single Read Cycle for Fly-By DMA Mode
(DREQ Pulse Width Is Programmable)

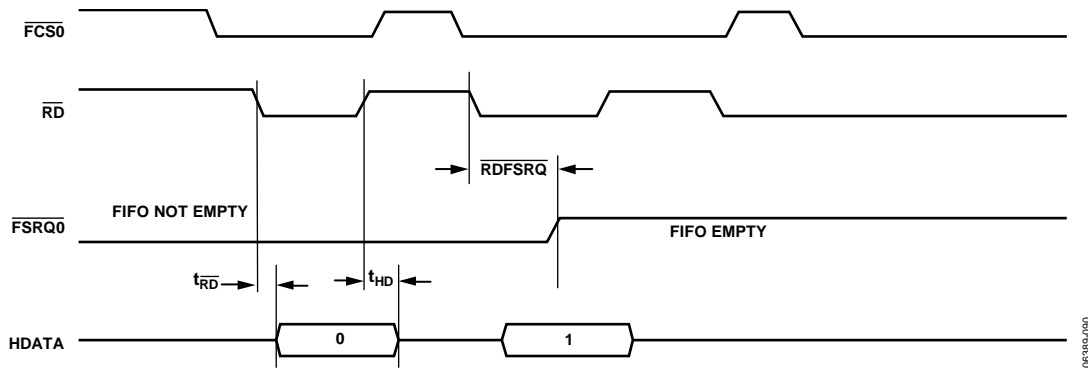


Figure 12. Single Read Access for DCS DMA Mode

EXTERNAL DMA MODE—FIFO WRITE, BURST MODE

Table 8.

| Parameter | Mnemonic | Min | Typ | Max | Unit |
|--|--|-----------------------|-----|----------------------------------|------|
| DREQ Pulse Width ¹ | $\overline{\text{DREQ}}_{\text{PULSE}}$ | 1 JCLK ² | | 15 JCLK ² | ns |
| $\overline{\text{WE}}$ to $\overline{\text{DREQ}}$ Deassert ($\text{DR} \times \text{PULS} = 0$) | $t_{\overline{\text{DREQ}}_{\text{RTN}}}$ | 2.5 JCLK ² | | $3.5 \times \text{JCLK} + 7.5^2$ | ns |
| $\overline{\text{DACK}}$ to $\overline{\text{WE}}$ Setup | $t_{\overline{\text{DACK}}_{\text{SU}}}$ | 0 | | | ns |
| Data Setup | t_{SU} | 2.5 | | | ns |
| Data Hold | t_{HD} | 2 | | | ns |
| $\overline{\text{WE}}$ Assert Pulse Width | $\overline{\text{WE}}_{\text{LOW}}$ | 1.5 JCLK ² | | | ns |
| $\overline{\text{WE}}$ Deassert Pulse Width | $\overline{\text{WE}}_{\text{HIGH}}$ | 1.5 JCLK ² | | | ns |
| $\overline{\text{WE}}$ Deassert to Next $\overline{\text{DREQ}}$ | $t_{\overline{\text{DREQ}}_{\text{WAIT}}}$ | 2.5 JCLK ² | | $4.5 \times \text{JCLK} + 9.0^2$ | ns |
| $\overline{\text{WE}}$ Deassert to $\overline{\text{DACK}}$ Deassert | $t_{\overline{\text{WE}}_{\text{DACK}}}$ | 0 | | | ns |

¹ Applies to assigned DMA channel, if EDMOD0/EDMOD1[14:11] is programmed to a nonzero value.

² For a definition of JCLK, see Figure 32.

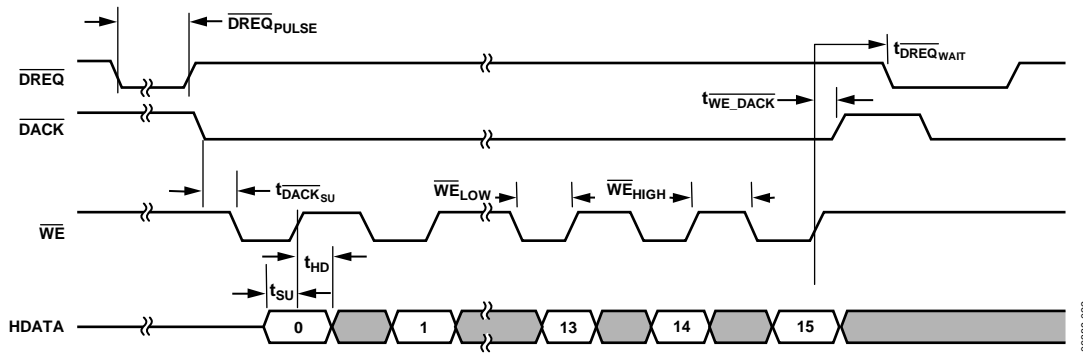


Figure 13. Burst Write Cycle for $\overline{\text{DREQ}}$ /DMA Mode for Assigned DMA Channel (EDMOD0/EDMOD1[14:1] Not Programmed to a Value of 0000)

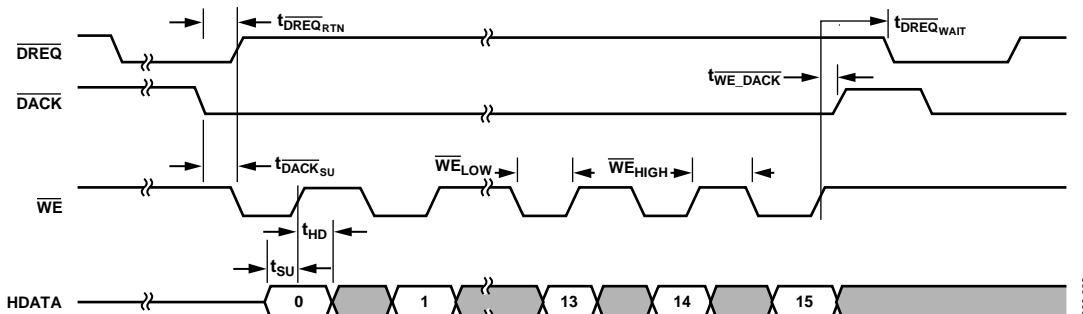


Figure 14. Burst Write Cycle for $\overline{\text{DREQ}}$ /DMA Mode for Assigned DMA Channel (EDMOD0/EDMOD1[14:1] Programmed to a Value of 0000)

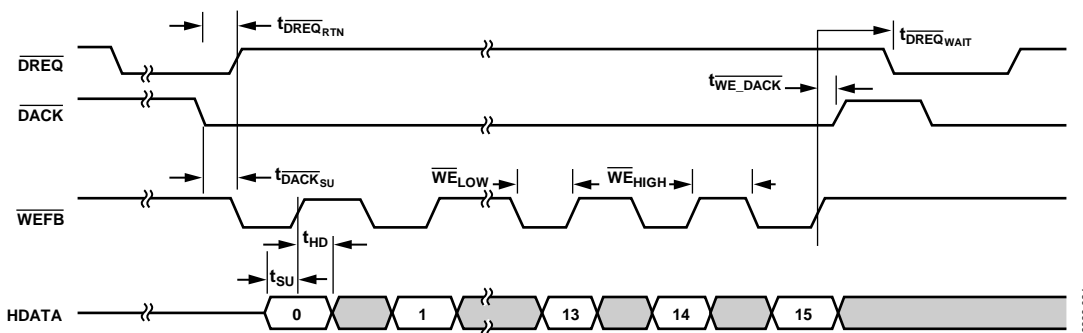


Figure 15. Burst Write Cycle for Fly-By DMA Mode

EXTERNAL DMA MODE—FIFO READ, BURST MODE

Table 9.

| Parameter | Mnemonic | Min | Typ | Max | Unit |
|-------------------------------------|-------------|-----------------------|-----|-------------------------------|------|
| DREQ Pulse Width ¹ | DREQ_PULSE | 1 JCLK ² | | 15 JCLK ² | ns |
| RD to DREQ Deassert (DR × PULS = 0) | t_DREQ_RTN | 2.5 JCLK ² | | 3.5 × JCLK + 7.5 ² | ns |
| DACK to RD Setup | t_DACK_SU | 0 | | | ns |
| RD to Data Valid | t_RD | 2.5 | | 9.7 | ns |
| Data Hold | t_HD | 2.5 | | | ns |
| RD Assert Pulse Width | RD_LOW | 1.5 JCLK ² | | | ns |
| RD Deassert Pulse Width | RD_HIGH | 1.5 JCLK ² | | | ns |
| RD Deassert to Next DREQ | t_DREQ_WAIT | 2.5 JCLK ² | | 3.5 × JCLK + 7.5 ² | ns |
| RD Deassert to DACK Deassert | t_RD_DACK | 0 | | | ns |

¹ Applies to assigned DMA channel if EDMOD0 or EDMOD1 <14:11> is programmed to a nonzero value.
² For a definition of JCLK, see Figure 32.

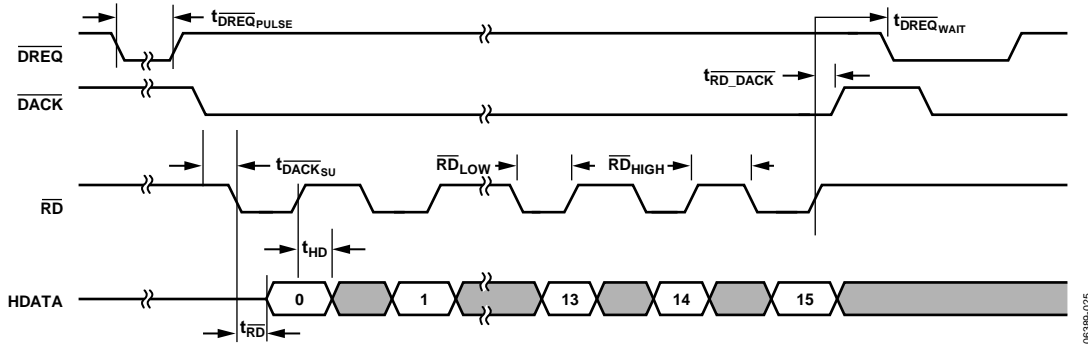


Figure 16. Burst Read Cycle for DREQ/DACK DMA Mode for Assigned DMA Channel (EMOD0/EDMOD1[14:11] Not Programmed to a Value of 0)

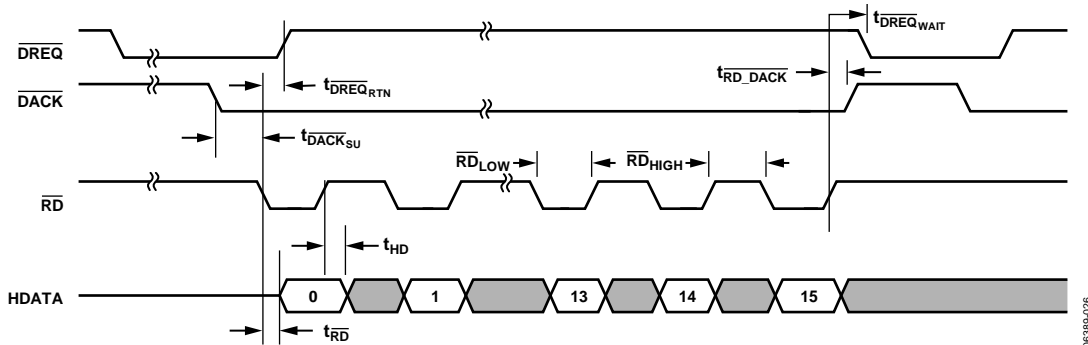


Figure 17. Burst Read Cycle for DREQ/DACK DMA Mode for Assigned DMA Channel (EMOD0/EDMOD1[14:11] Programmed to a Value of 0000)

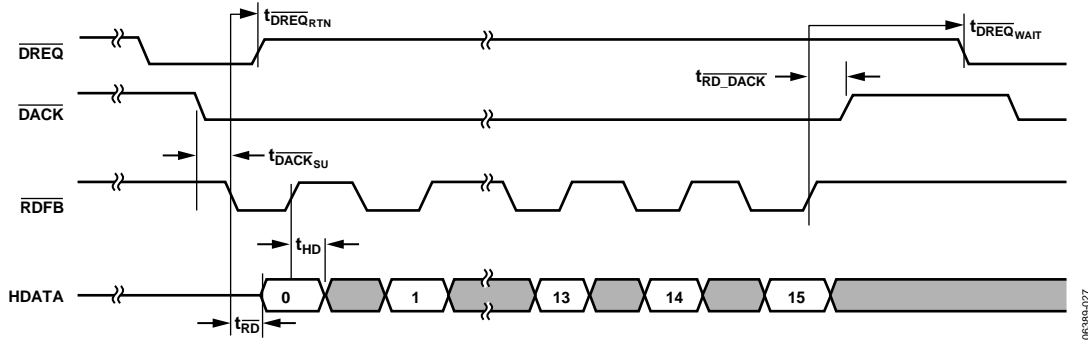


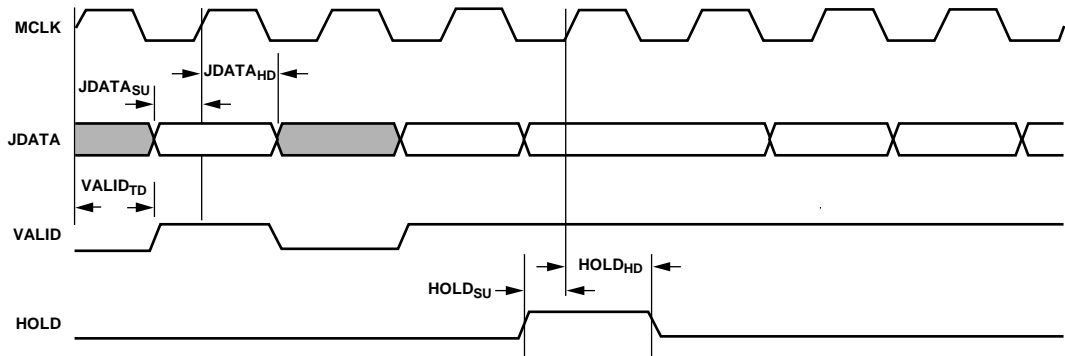
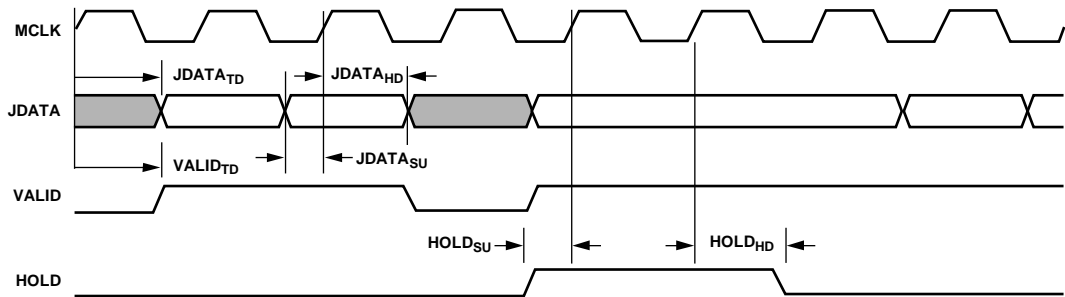
Figure 18. Burst Read Cycle for Fly-By DMA Mode

STREAMING MODE (JDATA)—FIFO READ/WRITE

Table 10.

| Parameter | Mnemonic | Min | Typ | Max | Unit |
|-------------------------------|---------------------|-----------------------|-----|-------------------------------|------|
| MCLK to JDATA Valid | JDATA _{TD} | 1.5 JCLK ¹ | | 2.5 × JCLK + 9.5 ¹ | ns |
| MCLK to VALID Assert/Deassert | VALID _{TD} | 1.5 JCLK ¹ | | 2.5 × JCLK + 8.0 ¹ | ns |
| HOLD Setup to Rising MCLK | HOLD _{SU} | 3 | | | ns |
| HOLD Hold from Rising MCLK | HOLD _{HD} | 3 | | | ns |
| JDATA Setup to Rising MCLK | JDATA _{SU} | 3 | | | ns |
| JDATA Hold from Rising MCLK | JDATA _{HD} | 3 | | | ns |

¹ For a definition of JCLK, see Figure 32.



VDATA MODE TIMING

Table 11.

| Parameter | Mnemonic | Min | Typ | Max | Unit |
|---|---------------------|-----|-----------------|-----|-------------|
| VCLK to VDATA Valid Delay (VDATA Output) | VDATA _{TD} | | | 12 | ns |
| VDATA Setup to Rising VCLK (VDATA Input) | VDATA _{SU} | 4 | | | ns |
| VDATA Hold from Rising VCLK (VDATA Input) | VDATA _{HD} | 4 | | | ns |
| HSYNC Setup to Rising VCLK | HSYNC _{SU} | 3 | | | ns |
| HSYNC Hold from Rising VCLK | HSYNC _{HD} | 4 | | | ns |
| VCLK to HSYNC Valid Delay | HSYNC _{TD} | | | 12 | ns |
| VSYNC Setup to Rising VCLK | VSYNC _{SU} | 3 | | | ns |
| VSYNC Hold from Rising VCLK | VSYNC _{HD} | 4 | | | ns |
| VCLK to VSYNC Valid Delay | VSYNC _{TD} | | | 12 | ns |
| FIELD Setup to Rising VCLK | FIELD _{SU} | 4 | | | ns |
| FIELD Hold from Rising VCLK | FIELD _{HD} | 3 | | | ns |
| VCLK to FIELD Valid | FIELD _{TD} | | | 12 | ns |
| Decode Slave Data Sync Delay (HSYNC Low to First 0xFF of EAV/SAV Code) | SYNC DELAY | | 8 ¹ | | VCLK cycles |
| Decode Slave Data Sync Delay (HSYNC Low to First Data for HVF Mode) | | | 10 ¹ | | VCLK cycles |

¹ The sync delay value varies according to the application.

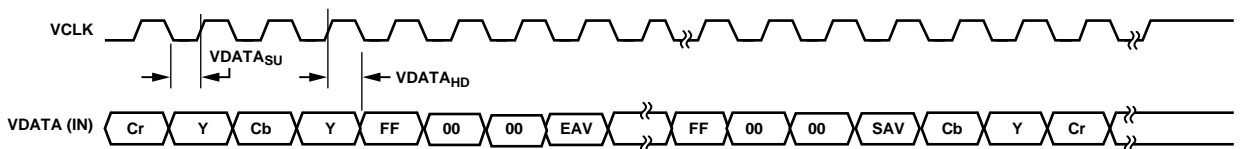


Figure 21. Encode Video Mode Timing—CCIR 656 Mode

06389-091

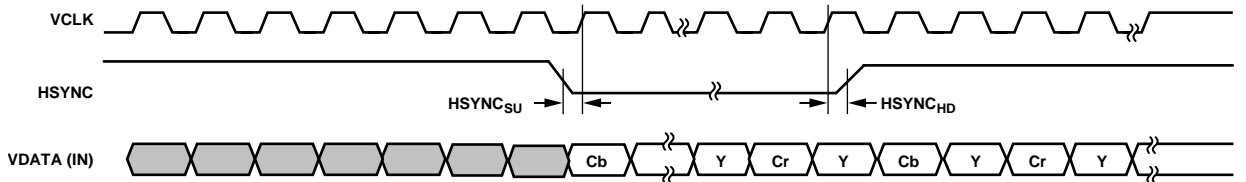


Figure 22. Encode Video Mode Timing—HVF Mode (HSYNC Timing)
(HSYNC Programmed for Negative Polarity)

06389-092

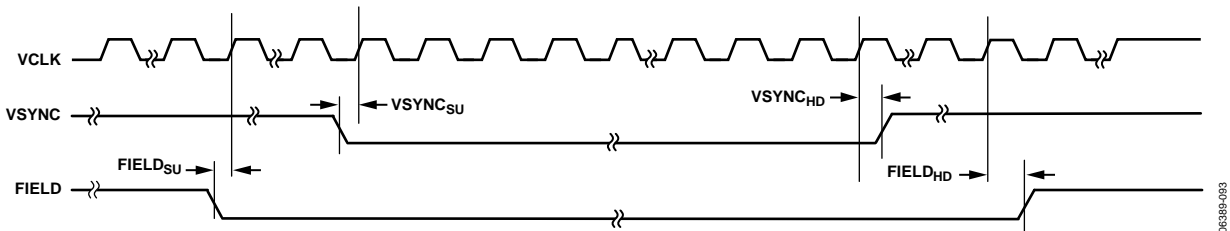


Figure 23. Encode Video Mode Timing—HVF Mode (VSYNC and FIELD Timing)
(VSYNC and FIELD Programmed for Negative Polarity)

06389-093

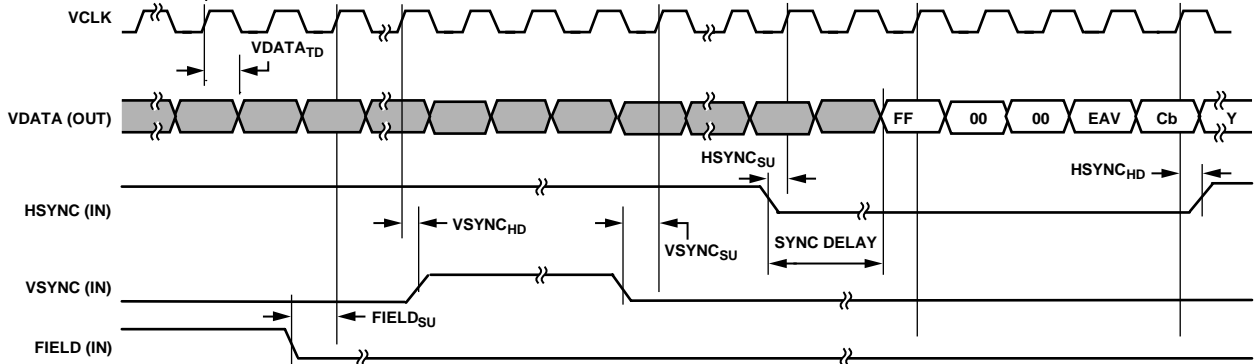


Figure 24. Decode Video Mode Timing—CCIR 656 Mode, Decode Slave
(HSYNC, VSYNC, and FIELD Programmed to Negative Polarity)

06389-094

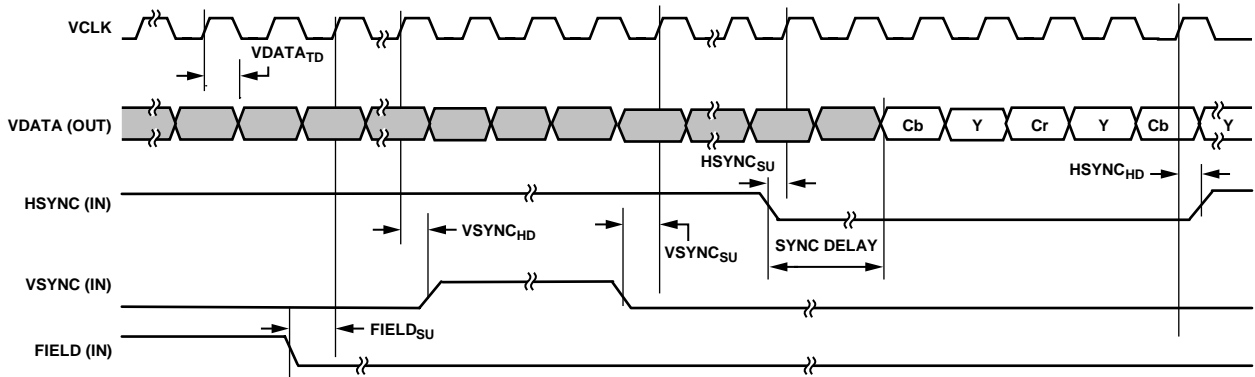


Figure 25. Decode Video Mode Timing—HVF Mode, Decode Slave
(HSYNC, VSYNC, and FIELD Programmed to Negative Polarity)

06389-095

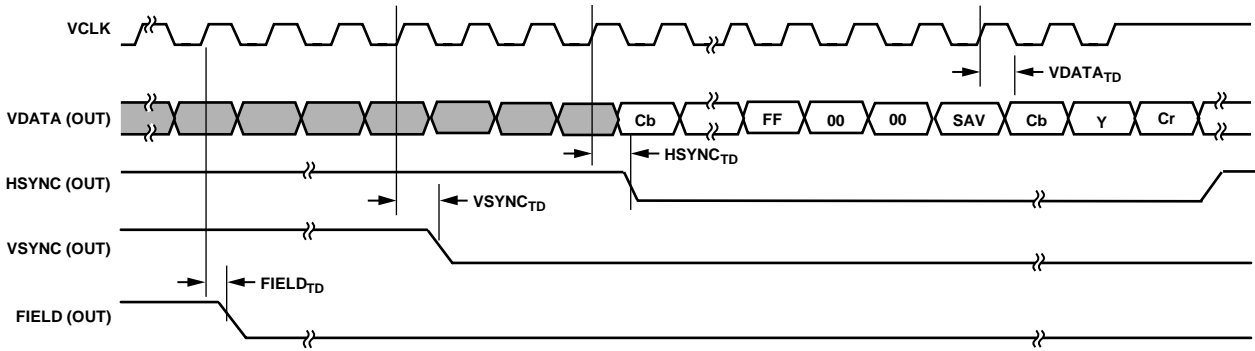


Figure 26. Decode Video Mode Timing—CCIR 656 Mode, Decode Master
(HSYNC, VSYNC, and FIELD Programmed to Negative Polarity)

06389-096

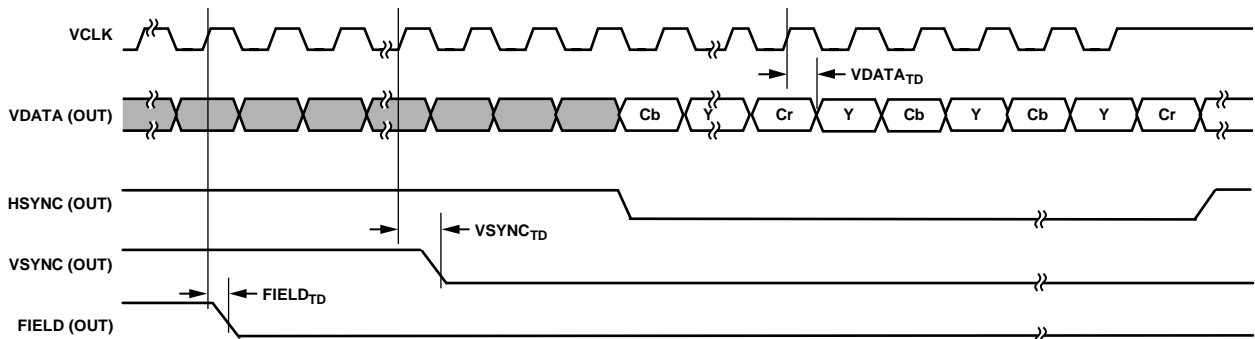


Figure 27. Decode Video Mode Timing—HVF Mode, Decode Master
(HSYNC, VSYNC, and FIELD Programmed to Negative Polarity)

06389-097

RAW PIXEL MODE TIMING

Table 12.

| Parameter | Mnemonic | Min | Typ | Max | Unit |
|---|---------------------|-----|-----|-----|------|
| VCLK to PIXELDATA Valid Delay (PIXELDATA Output) ¹ | VDATA _{TD} | | | 12 | ns |
| PIXELDATA Setup to Rising VCLK (PIXELDATA Input) | VDATA _{SU} | 4 | | | ns |
| PIXELDATA Hold from Rising VCLK (PIXELDATA Input) | VDATA _{HD} | 4 | | | ns |
| VCLK to VRDY Valid Delay | VRDY _{TD} | | | 12 | ns |
| VFRM Setup to Rising VCLK (VFRAME Input) | VFRM _{SU} | 3 | | | ns |
| VFRM Hold from Rising VCLK (VFRAME Input) | VFRM _{HD} | 4 | | | ns |
| VCLK to VFRM Valid Delay (VFRAME Output) | VFRM _{TD} | | | 12 | ns |
| VSTRB Setup to Rising VCLK | VSTRB _{SU} | 4 | | | ns |
| VSTRB Hold from Rising VCLK | VSTRB _{HD} | 3 | | | ns |

¹ PIXELDATA is the actual data on the VDATA bus; pins and bus width depend on it but timing does not.

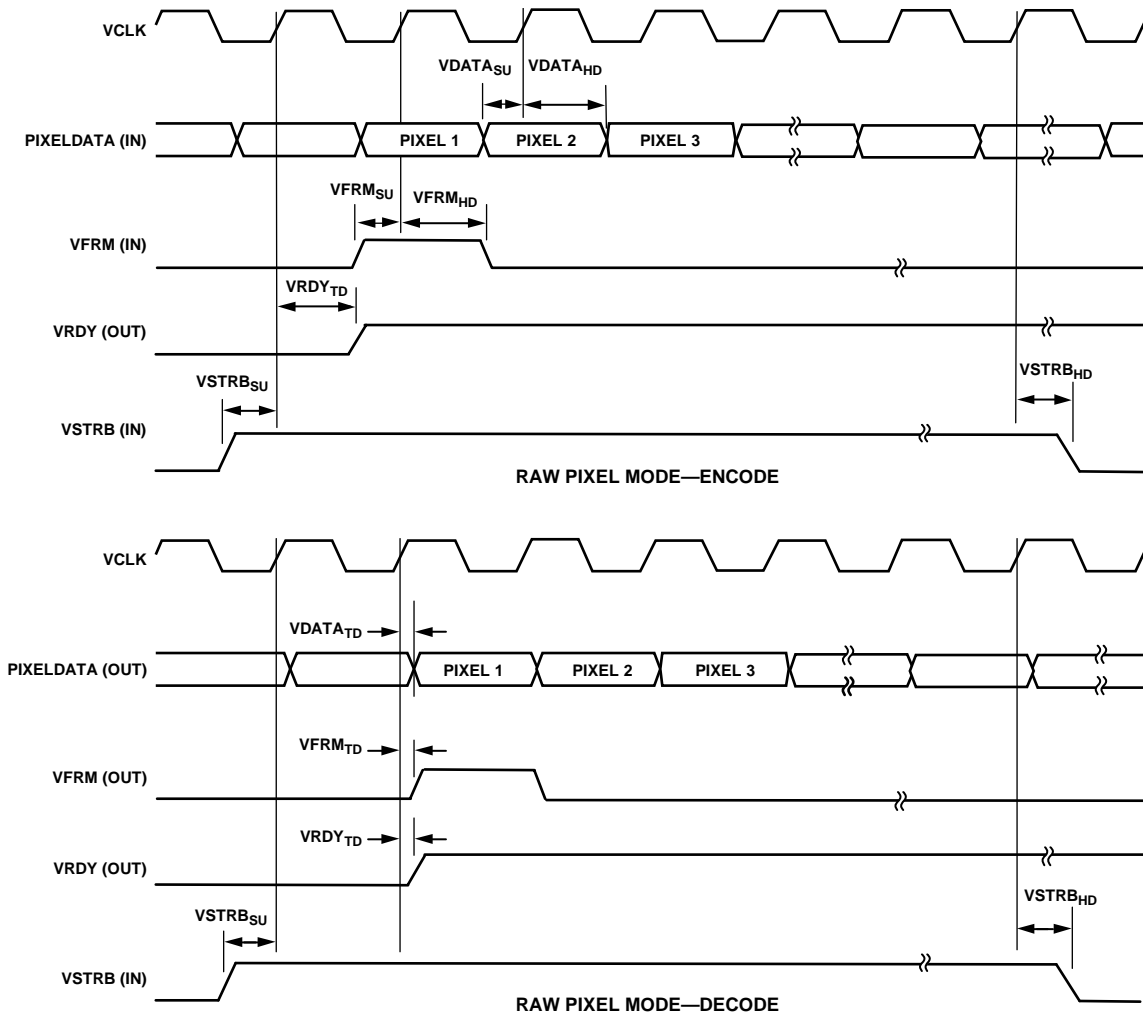


Figure 28. Raw Pixel Modes

063854031

JTAG TIMING

Table 13.

| Parameter | Mnemonic | Min | Typ | Max | Unit |
|-----------------------|----------------------|-----|-----|------|------------|
| TCK Period | TCK | 134 | | | ns |
| TDI or TMS Setup Time | TDI _{SU} | 4.0 | | | ns |
| TDI or TMS Hold Time | TDI _{HD} | 4.0 | | | ns |
| TDO Hold Time | TDO _{HD} | 0.0 | | | ns |
| TDO Valid | TDO _{VALID} | | | 10.0 | ns |
| TRS Hold Time | TRS _{HD} | 4.0 | | | ns |
| TRS Setup Time | TRS _{SU} | 4.0 | | | ns |
| TRS Pulse Width Low | TRS _{LOW} | 4 | | | TCK cycles |

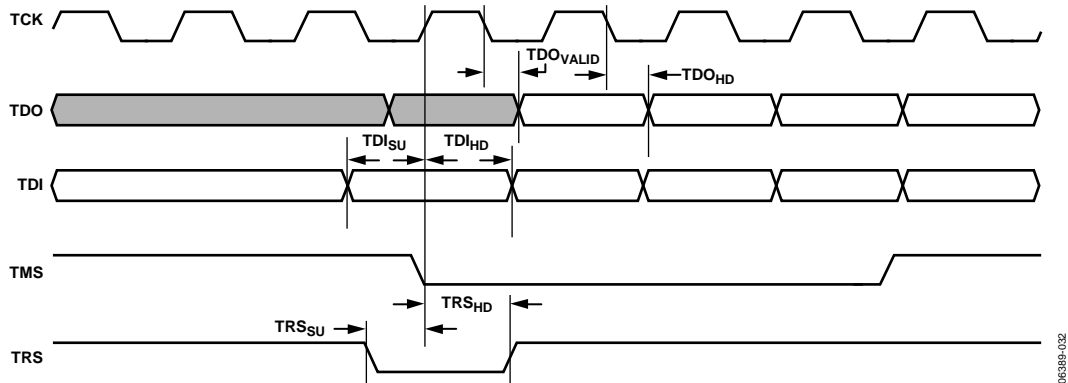


Figure 29. JTAG Timing

06388-102

ABSOLUTE MAXIMUM RATINGS

Table 14.

| Parameter | Rating |
|--|--------------------------|
| V _{DD} – Supply Voltage, Core | –0.3 V to +1.65 V |
| IOVDD – Supply Voltage, Input/Output | –0.3 V to +3.63 V |
| Storage Temperature (T _s) | –65°C to +150°C |
| Reflow Soldering | |
| RoHS-Compliant, 121-Ball | 260°C (20 sec to 40 sec) |
| RoHS-Compliant, 144-Ball | 260°C (20 sec to 40 sec) |

Stresses above those listed under Absolute Maximum Ratings may cause permanent damage to the device. This is a stress rating only; functional operation of the device at these or any other conditions above those indicated in the operational section of this specification is not implied. Exposure to absolute maximum rating conditions for extended periods may affect device reliability.

THERMAL RESISTANCE

θ_{JA} is specified for the worst-case conditions, that is, a device soldered in a circuit board for surface-mount packages.

Table 15. Thermal Resistance

| Package Type | θ_{JA} | θ_{JC} | Unit |
|---------------------|---------------|---------------|------|
| 144-Ball ADV212BBCZ | 22.5 | 3.8 | °C/W |
| 121-Ball ADV212BBCZ | 32.8 | 7.92 | °C/W |

ESD CAUTION



ESD (electrostatic discharge) sensitive device. Charged devices and circuit boards can discharge without detection. Although this product features patented or proprietary protection circuitry, damage may occur on devices subjected to high energy ESD. Therefore, proper ESD precautions should be taken to avoid performance degradation or loss of functionality.

PIN CONFIGURATIONS AND FUNCTION DESCRIPTIONS

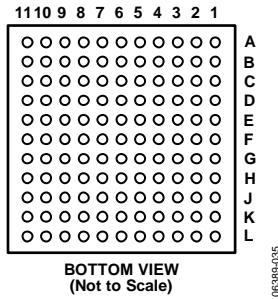


Figure 30. 121-Ball Pin Configuration

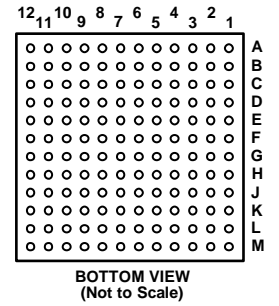


Figure 31. 144-Ball Pin Configuration

Table 16. Pin Function Descriptions

| 121-Ball Package | | 144-Ball Package | | Mnemonic | Pins Used | Type | Description |
|---|--|--|--|--|-----------|------|--|
| Pin No. | Location | Pin No. | Location | | | | |
| 119 | L9 | 132 | L12 | MCLK | 1 | I | System Input Clock. See the PLL Registers section. |
| 117 | L7 | 131 | L11 | $\overline{\text{RESET}}$ | 1 | I | Reset. Causes the ADV212 to immediately reset. CS, RD, WE, DACK0, DACK1, DREQ0, and DREQ1 must be held high when a RESET is applied. |
| 37 to 34, 27 to 25, 16, 15, 24, 14 to 12, 2, 6, 5 | D4 to D1, C5 to C3, B5, B4, C2, B3 to B1, A2, A6, A5 | 64, 49 to 51, 37 to 39, 25 to 27, 13 to 15, 2 to 4 | F4, E1 to E3, D1 to D3, C1 to C3, B1 to B3, A2 to A4 | HDATA[15:0] | 16 | I/O | Host Data Bus. With HDATA[23:16], HDATA[27:24], and HDATA[31:28], these pins make up the 32-bit wide host data bus. The async host interface is interfaced together with ADDR[3:0], CS, WE, RD, and ACK. Unused HDATA pins should be pulled down via a 10 kΩ resistor. |
| 88, 107, 87, 97 | H11, K8, H10, J9 | 108 to 106, 96 | J12 to J10, H12 | ADDR[3:0] | 4 | I | Address Bus for the Host Interface. |
| 96 | J8 | 95 | H11 | $\overline{\text{CS}}$ | 1 | I | Chip Select. This signal is used to qualify addressed read and write access to the ADV212 using the host interface. |
| 95 | J7 | 94 | H10 | $\overline{\text{WE}}^1$ $\overline{\text{RDFB}}^2$ | 1 | I | Write Enable Used with the Host Interface. Read Enable When Fly-By DMA Is Enabled. Simultaneous assertion of WE and DACK low activates the HDATA bus, even if the DMA channels are disabled. |
| 86 | H9 | 84 | G12 | $\overline{\text{RD}}^1$ $\overline{\text{WEFB}}^3$ | 1 | I | Read Enable Used with the Host Interface. Write Enable When Fly-By DMA Is Enabled. Simultaneous assertion of RD and DACK low activates the HDATA bus, even if the DMA channels are disabled. |

| 121-Ball Package | | 144-Ball Package | | Mnemonic | Pins Used | Type | Description |
|------------------|----------|------------------|----------|---------------------------|-----------|------|--|
| Pin No. | Location | Pin No. | Location | | | | |
| 85 | H8 | 83 | G11 | $\overline{\text{ACK}}$ | 1 | O | <p>Acknowledge. Used for direct register accesses. This signal indicates that the last register access was successful. Due to synchronization issues, control and status register accesses may incur an additional delay; therefore, the host software should wait for acknowledgment from the ADV212 before attempting another register access.</p> <p>Accesses to the FIFOs (external DMA modes), on the other hand, are guaranteed to occur immediately, provided that space is available; therefore, the host software does not need to wait for $\overline{\text{ACK}}$ before attempting another register access, provided that the timing constraints are observed.</p> <p>If $\overline{\text{ACK}}$ is shared with more than one device, $\overline{\text{ACK}}$ should be connected to a pull-up resistor (10 kΩ) and the PLL_HI register, Bit 4, must be set to 1.</p> |
| 76 | G10 | 82 | G10 | $\overline{\text{IRQ}}$ | 1 | O | <p>Interrupt. This pin indicates that the ADV212 requires the attention of the host processor. This pin can be programmed to indicate the status of the internal interrupt conditions within the ADV212. The interrupt sources are enabled via the bits in the EIRQIE register.</p> |
| 63 | F8 | 72 | F12 | $\overline{\text{DREQ0}}$ | 1 | O | <p>Data Request for External DMA Interface. Indicates that the ADV212 is ready to send/receive data to/from the FIFO assigned to DMA Channel 0.</p> |
| | | | | $\overline{\text{FSRQ0}}$ | | O | <p>FIFO Service Request. Used in DCS-DMA mode. Service request from the FIFO assigned to Channel 0 (asynchronous mode).</p> |
| | | | | VALID | | O | <p>Valid Indication for JDATA Input/Output Stream. Polarity of this pin is programmable in the EDMOD0 register. VALID is always an output.</p> |
| | | | | CFG1 | | I | <p>Boot Mode Configuration. This pin is read on reset to determine the boot configuration of the on-board processor. The pin should be tied to IOVDD through a 10 kΩ resistor.</p> |
| 64 | F9 | 71 | F11 | $\overline{\text{DACK0}}$ | 1 | I | <p>Data Acknowledge for External DMA Interface. Signal from the host CPU, which indicates that the data transfer request ($\overline{\text{DREQ0}}$) has been acknowledged and that the data transfer can proceed. This pin must be held high at all times if the DMA interface is not used, even if the DMA channels are disabled.</p> |
| | | | | HOLD | | I | <p>External Hold Indication for JDATA Input/Output Stream. Polarity is programmable in the EDMOD0 register. This pin is always an input.</p> |
| | | | | $\overline{\text{FCS0}}$ | | I | <p>FIFO Chip Select. Used in DCS-DMA mode. Chip select for the FIFO assigned to Channel 0 (asynchronous mode).</p> |

ADV212

| 121-Ball Package | | 144-Ball Package | | Mnemonic | Pins Used | Type | Description |
|------------------|----------------|------------------|--------------|---------------------------|-----------|------|--|
| Pin No. | Location | Pin No. | Location | | | | |
| 65 | F10 | 70 | F10 | $\overline{\text{DREQ1}}$ | 1 | O | Data Request for External DMA Interface. Indicates that the ADV212 is ready to send/receive data to/from the FIFO assigned to DMA Channel 1. |
| | | | | $\overline{\text{FSRQ1}}$ | | O | FIFO Service Request. Used in DCS-DMA mode. Service request from the FIFO assigned to Channel 1 (asynchronous mode). |
| | | | | CFG2 | | I | Boot Mode Configuration. This pin is read on reset to determine the boot configuration of the on-board processor. The pin should be tied to DGND through a 10 k Ω resistor. |
| 75 | G9 | 69 | F9 | $\overline{\text{DACK1}}$ | 1 | I | Data Acknowledge for External DMA Interface. Signal from the host CPU, which indicates that the data transfer request ($\overline{\text{DREQ1}}$) has been acknowledged and data transfer can proceed. This pin must be held high at all times unless a DMA or JDATA access is occurring. This pin must be held high at all times if the DMA interface is not used, even if the DMA channels are disabled. |
| | | | | $\overline{\text{FCS1}}$ | | I | FIFO Chip Select. Used in DCS-DMA mode. Chip select for the FIFO assigned to Channel 1 (asynchronous mode). |
| 90 to 92, 78 | J2 to J4, H1 | 111, 97 to 99 | K3, J1 to J3 | HDATA[31:28] | 4 | I/O | Host Expansion Bus. |
| | | | | JDATA[7:4] | | I/O | JDATA Bus (JDATA Mode). |
| 79 to 81, 70 | H2 to H4, G4 | 100, 85 to 87 | J4, H1 to H3 | HDATA[27:24] | 4 | I/O | Host Expansion Bus. |
| | | | | JDATA[3:0] | | I/O | JDATA Bus (JDATA Mode). |
| 69, 68, 59, 58 | G3, G2, F4, F3 | 88, 73 to 75 | H4, G1 to G3 | HDATA[23:20] | 4 | I/O | Host Expansion Bus. |
| 57, 46 to 48 | F2, E2, E3, E4 | 76, 61 to 63 | G4, F1 to F3 | HDATA[19:16] | 4 | I/O | Host Expansion Bus. |
| | | | | VDATA[15:12] | | I/O | Video Data. Used only for raw pixel video mode. Unused pins should be pulled down via a 10 k Ω resistor. |
| 112 | L2 | 134 | M2 | SCOMM7 | 8 | I/O | Serial Communication. For internal use only. This pin should be tied low via a 10 k Ω resistor. |
| 113 | L3 | 135 | M3 | SCOMM6 | | I/O | Serial Communication. For internal use only. This pin should be tied low via a 10 k Ω resistor. |
| 114 | L4 | 136 | M4 | SCOMM5 | | I/O | Serial Communication. This pin must be used in multiple chip mode to align the outputs of two or more ADV212s. For details, see the Applications Information section. When not used, this pin should be tied low via a 10 k Ω resistor. |
| 100 | K1 | 121 | L1 | SCOMM4 | | O | LCODE Output in Encode Mode. When LCODE is enabled, the output on this pin indicates on a high transition that the last data-word for a field has been read from the FIFO. For an 8-bit interface, such as JDATA, LCODE is asserted for four consecutive bytes and is enabled by default. |

| 121-Ball Package | | 144-Ball Package | | Mnemonic | Pins Used | Type | Description |
|---|--|---|---|----------------|-----------|----------|--|
| Pin No. | Location | Pin No. | Location | | | | |
| 101 | K2 | 122 | L2 | SCOMM3 | | I | Serial Communication. For internal use only. This pin should be tied low via a 10 kΩ resistor. |
| 115 | L5 | 123 | L3 | SCOMM2 | | O | Serial Communication. For internal use only. This pin should be tied low via a 10 kΩ resistor. |
| 103 | K4 | 109 | K1 | SCOMM1 | | I | Serial Communication. For internal use only. This pin should be tied low via a 10 kΩ resistor. |
| 102 | K3 | 110 | K2 | SCOMM0 | | O | Serial Communication. This pin should be tied low via a 10 kΩ resistor. |
| 53 | E9 | 60 | E12 | VCLK | 1 | I | Video Data Clock. This pin must be supplied if video data is input/output on the VDATA bus. |
| 44, 43, 29, 31, 32, 18 to 20, 22, 21, 7, 10 | D11, D10, C7, C9, C10, B7, B8, B9, B11, B10, A7, A10 | 46 to 48, 34 to 36, 22 to 24, 9 to 11 | D10 to D12, C10 to C12, B10 to B12, A9 to A11 | VDATA[11:0] | 12 | I/O | Video Data. Unused pins should be pulled down via a 10 kΩ resistor. |
| 41 | D8 | 58 | E10 | VSYNC VFRM | 1 | I/O | Vertical Sync for Video Mode. Raw Pixel Mode Framing Signal. When this pin is asserted high, it indicates the first sample of a tile. |
| 42 | D9 | 59 | E11 | HSYNC VRDY | 1 | I/O O | Horizontal Sync for Video Mode. Raw Pixel Mode Ready Signal. |
| 54 | E10 | 57 | E9 | FIELD VSTRB | 1 | I/O I | Field Sync for Video Mode. Raw Pixel Mode Transfer Strobe. |
| 94 | J6 | 120 | K12 | TCK | 1 | I | JTAG Clock. If not used, this pin should be connected to ground via a pull-down resistor. |
| 108 | K9 | 119 | K11 | TRS | 1 | I | JTAG Reset. If the JTAG is used, this pin must be toggled low to high. If JTAG is not used, this pin must be held low. |
| 98 | J10 | 118 | K10 | TMS | 1 | I | JTAG Mode Select. If JTAG is used, connect a 10 kΩ pull-up resistor to this pin. If not used, this pin should be connected to ground via a pull-down resistor. |
| 116 | L6 | 141 | M9 | TDI | 1 | I | JTAG Serial Data Input. If JTAG is used, connect a 10 kΩ pull-up resistor to this pin. If JTAG is not used, this pin should be connected to ground via a pull-down resistor. |
| 109 | K10 | 130 | L10 | TDO | 1 | O | JTAG Serial Data Output. If this pin is not used, do not connect it. |
| 3, 8, 40, 84, 120 | A3, A8, D7, H7, L10 | 18, 19, 30, 31, 42, 43, 102, 103, 114, 115, 126, 127, 142 | B6, B7, C6, C7, D6, D7, J6, J7, K6, K7, L6, L7, M10 | VDD | 5/13 | V | Positive Supply for Core. |

ADV212

| 121-Ball Package | | 144-Ball Package | | Mnemonic | Pins Used | Type | Description |
|---|--|---|---|----------|-----------|------|-----------------------------------|
| Pin No. | Location | Pin No. | Location | | | | |
| 1, 4, 9, 11, 23, 33, 39, 45, 49 to 51, 55, 56, 60 to 62, 66, 67, 71 to 73, 77, 83, 89, 99, 110, 111, 118, 121 | A1, A4, A9, A11, C1, C11, D6, E1, E5 to E7, E11, F1, F5 to F7, F11, G1, G5 to G7, G11, H6, J1, J11, K11, L1, L8, L11 | 1, 5 to 8, 12, 17, 20, 29, 32, 41, 44, 52 to 56, 65 to 68, 77 to 81, 89 to 93, 101, 104, 105, 113, 116, 125, 128, 133, 137 to 140, 143, 144 | A1, A5 to A8, A12, B5, B8, C5, C8, D5, D8, E4 to E8, F5 to F8, G5 to G9, H5 to H9, J5, J8, J9, K5, K8, L5, L8, M1, M5 to M8, M11, M12 | DGND | 29/45 | GND | Ground. |
| 17, 28, 30, 38, 52, 74, 82, 93, 104 to 106 | B6, C6, C8, D5, E8, G8, H5, J5, K5 to K7 | 16, 21, 28, 33, 40, 45, 112, 117, 124, 129 | B4, B9, C4, C9, D4, D9, K4, K9, L4, L9 | IOVDD | 11/10 | V | Positive Supply for Input/Output. |

¹ In fly-by mode DMA, the functions of the \overline{RD} and \overline{WE} signals (for DMA only) are reversed. This allows a host to move data between an external device and the ADV212 with the use of a single strobe.

² In encode mode with fly-by DMA, the host can use the \overline{RDFB} signal (\overline{WE} pin) to simultaneously read from the ADV212 and write to an external device such as memory.

³ In decode mode with fly-by DMA, the host can use the \overline{WEFB} signal (\overline{RD} pin) to simultaneously read from the external device and write to the ADV212.

THEORY OF OPERATION

The input video or pixel data is passed to the ADV212 pixel interface, and samples are deinterleaved and passed to the wavelet engine, which decomposes each tile or frame into subbands using the 5/3 or 9/7 filters. The resultant wavelet coefficients are then written to the internal memory. The entropy CODECs code the image data so that it conforms to the JPEG2000 standard. An internal DMA provides high bandwidth memory-to-memory transfers, as well as high performance transfers between functional blocks and memory.

WAVELET ENGINE

The ADV212 provides a dedicated wavelet transform processor based on the Analog Devices, Inc., proven and patented SURF® technology. This processor can perform up to six wavelet decomposition levels on a tile. In encode mode, the wavelet transform processor takes in uncompressed samples, performs the wavelet transform and quantization, and writes the wavelet coefficients in all frequency subbands to the internal memory. Each of these subbands is further broken down into code blocks. The code-block dimensions can be user defined and are used by the wavelet transform processor to organize the wavelet coefficients into code blocks when writing to the internal memory. Each completed code block is then entropy coded by one of the entropy CODECs.

In decode mode, wavelet coefficients are read from internal memory and recomposed into uncompressed samples.

ENTROPY CODECS

The entropy CODEC block performs context modeling and arithmetic coding on a code block of the wavelet coefficients. Additionally, this block also performs the distortion metric calculations during compression that are required for optimal rate and distortion performance. Because the entropy coding process is the most computationally intensive operation in the JPEG2000 compression process, three dedicated hardware entropy CODECs are provided on the ADV212.

EMBEDDED PROCESSOR SYSTEM

The ADV212 incorporates an embedded 32-bit RISC processor. This processor is used for configuration, control, and management of the dedicated hardware functions, as well as for parsing and generating the JPEG2000 code stream. The processor system includes memory for both the program and data memory, the interrupt controller, the standard bus interfaces, and other hardware functions such as timers and counters.

MEMORY SYSTEM

The main function of the memory system is to manage wavelet coefficient data, interim code-block attribute data, and temporary workspace for creating, parsing, and storing the JPEG2000 code stream. The memory system can also be used for the program and data memory for the embedded processor.

INTERNAL DMA ENGINE

The internal DMA engine provides high bandwidth memory-to-memory transfers, as well as high performance transfers between memory and functional blocks. This function is critical for high speed generation and parsing of the code stream.

ADV212 INTERFACES

There are several possible ways to interface to the ADV212 using the VDATA bus and the HDATA bus or the HDATA bus alone.

VIDEO INTERFACE (VDATA BUS)

The video interface can be used in applications in which uncompressed pixel data is on a separate bus from compressed data. For example, it is possible to use the VDATA bus to input uncompressed video while using the HDATA bus to output the compressed data. This interface is ideal for applications requiring very high throughput, such as live video capture.

Optionally, the ADV212 interlaces ITU-R BT.656 resolution video on the fly prior to wavelet processing, which yields significantly better compression performance for temporally coherent frame-based video sources. Additionally, high definition digital video such as SMPTE 274M (1080i) is supported using two or more ADV212 devices.

The video interface can support video data or still image data input/output in 8-/10-/12-bit formats, in YCbCr format, or in single input mode. YCbCr data must be in 4:2:2 format. When operating in raw pixel mode, only one component can be processed by a single ADV212.

Video data can be input/output in several different modes on the VDATA bus, as described in Table 17. In all these modes, the pixel clock must be input on the VCLK pin.

Table 17. Video Input/Output Modes

| Mode | Description |
|-----------|---|
| EAV/SAV | Accepts video with embedded EAV/SAV codes, where the YCbCr data is interleaved onto a single bus. |
| HVF | Accepts video data accompanied by separate H, V, and F signals, where YCbCr data is interleaved onto a single bus. |
| Raw Video | Used for still picture data and nonstandard video. VFRM, VSTRB, and VRDY are used to program the dimensions of the image. When operating in raw pixel mode, only one component can be processed by a single ADV212. |

HOST INTERFACE (HDATA BUS)

The ADV212 can connect directly to a wide variety of host processors and ASICs using an asynchronous SRAM-style interface, DMA accesses, or streaming mode (JDATA) interface. The ADV212 supports 16- and 32-bit buses for control and 8-/16-/32-bit buses for data transfer.

The control and data channel bus widths can be specified independently, which allows the ADV212 to support applications that require control and data buses of different widths.

The host interface is used for configuration, control, and status functions, as well as for transferring compressed data streams. It can be used for uncompressed data transfers in certain modes. The host interface can be shared by as many as three concurrent data streams in addition to control and status communications. The data streams are

- Uncompressed tile data (for example, still image data)
- Fully encoded JPEG2000 code stream (or unpackaged code blocks)
- Code-block attributes

The ADV212 uses big endian byte alignment for 16- and 32-bit transfers. All data is left-justified (MSB).

Pixel Input on the Host Interface

Pixel input on the host interface supports 8-/10-/12-/14-/16-bit raw pixel data formats. It can be used for pixel (still image) input/output or compressed video output. Because there are no timing codes or sync signals associated with the input data on the host interface, dimension registers and internal counters are used and must be programmed to indicate the start and end of the frame.

Host Bus Configuration

For maximum flexibility, the host interface provides several configurations to meet particular system requirements. The default bus mode uses the same pins to transfer control, status, and data to and from the ADV212. In this mode, the ADV212 can support 16- and 32-bit control transfers and 8-/16-/32-bit data transfers. The size of these buses can be selected independently, allowing, for example, a 16-bit microcontroller to configure and control the ADV212 while still providing 32-bit data transfers to an ASIC or external memory system.

DIRECT AND INDIRECT REGISTERS

To minimize pin count and cost, the number of address pins is limited to four, which yields a total direct address space of 16 locations. These locations are most commonly used by the external controller and are, therefore, accessible directly. All other registers in the ADV212 can be accessed indirectly through the IADDR and IDATA registers.

CONTROL ACCESS REGISTERS

With the exception of the indirect address and data registers (IADDR and IDATA), all control/status registers in the ADV212 are 16 bits wide and are half-word (16-bit) addressable only. When 32-bit host mode is enabled, the upper 16 bits of the HDATA bus are ignored on writes and return all zeros on reads of 16-bit registers.

PIN CONFIGURATION AND BUS SIZES/MODES

The ADV212 provides a wide variety of control and data configurations, which allows it to be used in many applications with little or no glue logic. The modes described in this section are configured using the BUSMODE register. In this section, *host* refers to normal addressed accesses ($\overline{\text{CS}}/\overline{\text{RD}}/\overline{\text{WE}}/\overline{\text{ADDR}}$) and *data* refers to external DMA accesses ($\overline{\text{DREQ}}/\overline{\text{DACK}}$).

32-Bit Host/32-Bit Data

In this mode, the HDATA[31:0] pins provide full 32-bit wide data access to the pixel channel, code channel, and ATTR channel FIFOs.

16-Bit Host/32-Bit Data

This mode allows a 16-bit host to configure and communicate with the ADV212 while allowing 32-bit accesses to the pixel, xode, and ATTR FIFOs using the external DMA capability.

All addressed host accesses are 16 bits and, therefore, use only the HDATA[15:0] pins. The HDATA[31:16] pins provide the additional 16 bits necessary to support the 32-bit external DMA transfers to and from the FIFOs only.

16-Bit Host/16-Bit Data

This mode uses 16-bit transfers if used for host or external DMA data transfers.

16-Bit Host/8-Bit Data (JDATA Bus Mode)

This mode provides separate data input/output and host control interface pins. Host control accesses are 16 bits and use HDATA[15:0], whereas the dedicated data bus uses JDATA[7:0].

JDATA uses a valid/hold synchronous transfer protocol. The direction of the JDATA bus is determined by the mode of the ADV212. If the ADV212 is encoding (compression), JDATA[7:0] is an output. If the ADV212 is decoding (decompression), JDATA[7:0] is an input. Host control accesses remain asynchronous. See also the JDATA Mode section.

STAGE REGISTER

Because the ADV212 contains both 16-bit and 32-bit registers and its internal memory is mapped as 32-bit data, a mechanism

has been provided to allow 16-bit hosts to access these registers and memory locations using the stage register, which is accessed as a 16-bit register using HDATA[15:0]. Before writing to the desired register, the stage register must be written with the upper (most significant) half-word.

When the host subsequently writes the lower half-word to the desired control register, HDATA is combined with the previously staged value to create the required 32-bit value that is written. When a register is read, the upper (most significant) half-word is returned immediately on HDATA, and the lower half-word can be retrieved by reading the stage register on a subsequent access.

Note that the stage register does not apply to the three data channels (pixel, code, and ATTR). These channels are always accessed at the specified data width and do not require the use of the stage register.

JDATA MODE

JDATA mode is typically used only when the dedicated video interface (VDATA) is also enabled. This mode allows code stream data (compressed data compliant with JPEG2000) to be input or output on a single dedicated 8-bit bus (JDATA[7:0]). The bus is always an output during compression operations and an input during decompression.

A 2-pin handshake is used to transfer data over this synchronous interface. VALID is used to indicate that the ADV212 is ready to provide or accept data and is always an output. HOLD is always an input and is asserted by the host if it cannot accept/provide data. For example, JDATA mode allows real-time applications, in which pixel data is input over the VDATA bus while the compressed data stream is output over the JDATA bus.

EXTERNAL DMA ENGINE

The external DMA interface is provided to enable high bandwidth data input/output between an external DMA controller and the ADV212 data FIFOs. Two independent DMA channels can each be assigned to any one of the three data stream FIFOs (pixel, code, and ATTR).

The controller supports asynchronous DMA using a data-request/data-acknowledge ($\overline{\text{DREQ}}/\overline{\text{DACK}}$) protocol in either single or burst access mode. Additional functionality is provided for single address compatibility (fly-by) mode and dedicated chip select (DCS) mode.

ADV212

INTERNAL REGISTERS

This section describes the internal registers of the ADV212.

DIRECT REGISTERS

The ADV212 has 16 direct registers, as listed in Table 18.

The direct registers are accessed over the ADDR[3:0], HDATA[31:0], $\overline{\text{CS}}$, $\overline{\text{RD}}$, $\overline{\text{WE}}$, and $\overline{\text{ACK}}$ pins.

The host must first initialize the direct registers before any application-specific operation can be implemented.

Table 18. Direct Registers

| Address | Name | Description |
|---------|----------|--|
| 0x00 | Pixel | Pixel FIFO access register |
| 0x01 | Code | Compressed code stream access register |
| 0x02 | ATTR | Attribute FIFO access register |
| 0x03 | Reserved | Reserved |
| 0x04 | CMDSTA | Command stack |
| 0x05 | EIRQIE | External interrupt enabled |
| 0x06 | EIRQFLG | External interrupt flags |
| 0x07 | SWFLAG | Software flag register |
| 0x08 | BUSMODE | Bus mode configuration register |
| 0x09 | MMODE | Miscellaneous mode register |
| 0x0A | Stage | Staging register |
| 0x0B | IADDR | Indirect address register |
| 0x0C | IDATA | Indirect data register |
| 0x0D | Boot | Boot mode register |
| 0x0E | PLL_HI | PLL control register, high byte |
| 0x0F | PLL_LO | PLL control register, low byte |

INDIRECT REGISTERS

In certain modes, such as custom-specific input format or HIPI mode, indirect registers must be accessed by the user through the IADDR and IDATA registers. The indirect register address space starts at Internal Address 0xFFFF0000.

Both 32-bit and 16-bit hosts can access the indirect registers: 32-bit hosts use the IADDR and IDATA registers, and 16-bit hosts use the IADDR, IDATA, and stage registers.

Table 19. Indirect Registers

| Address | Name | Description |
|--------------------------|-----------------|------------------------------------|
| 0xFFFF0400 | PMODE1 | Pixel/video format |
| 0xFFFF0404 | COMP_CNT_STATUS | Horizontal count |
| 0xFFFF0408 | LINE_CNT_STATUS | Vertical count |
| 0xFFFF040C | XTOT | Total samples per line |
| 0xFFFF0410 | YTOT | Total lines per frame |
| 0xFFFF0414 | F0_START | Start line of Field 0 [F0] |
| 0xFFFF0418 | F1_START | Start line of Field 1 [F1] |
| 0xFFFF041C | V0_START | Start of active video Field 0 [F0] |
| 0xFFFF0420 | V1_START | Start of active video Field 1 [F1] |
| 0xFFFF0424 | V0_END | End of active video Field 0 [F0] |
| 0xFFFF0428 | V1_END | End of active video Field 1 [F1] |
| 0xFFFF042C | PIXEL_START | Horizontal start of active video |
| 0xFFFF0430 | PIXEL_END | Horizontal end of active video |
| 0xFFFF0440 | MS_CNT_DEL | Master/slave delay |
| 0xFFFF0444 | Reserved | Reserved |
| 0xFFFF0448 | PMODE2 | Pixel Mode 2 |
| 0xFFFF044C | VMODE | Video mode |
| 0xFFFF1408 | EDMOD0 | External DMA Mode Register 0 |
| 0xFFFF140C | EDMOD1 | External DMA Mode Register 1 |
| 0xFFFF1410 | FFTHRP | FIFO threshold for pixel FIFO |
| 0xFFFF1414 | Reserved | Reserved |
| 0xFFFF1418 | Reserved | Reserved |
| 0xFFFF141C | FFTHRC | FIFO threshold for code FIFO |
| 0xFFFF1420 | FFTHRA | FIFO threshold for ATTR FIFO |
| 0xFFFF1424 to 0xFFFF14FC | Reserved | Reserved |

ADV212

PLL REGISTERS

The ADV212 uses the PLL_HI and PLL_LO direct registers to configure the PLL. Any time the PLL_LO register is modified, the host must wait at least 20 μ s before reading from or writing to another register. If this delay is not implemented, erratic behavior may result.

MCLK is the input clock to the ADV212 PLL and is used to generate the internal JCLK (JPEG2000 processor clock) and HCLK (embedded CPU clock).

The PLL can be programmed to have any possible final multiplier value as long as

- JCLK > 50 MHz and < 150 MHz (144-pin version).
- JCLK > 50 MHz and < 115 MHz (121-pin version).
- HCLK < 81 MHz (121-pin version) or HCLK < 108 MHz (144-pin version).
- $JCLK \geq 2 \times VCLK$ for single-component input.
- $JCLK \geq 2 \times VCLK$ for YCbCr [4:2:2] input.
- In JDATA mode (JDATA), JCLK must be $4 \times MCLK$ or higher.
- The maximum burst frequency for external DMA modes is $\leq 0.36 JCLK$.

- For MCLK frequencies greater than 50 MHz, the input clock divider must be enabled; that is, IPD must be set to 1. IPD cannot be enabled for MCLK frequencies below 20 MHz.
- Deinterlace modes require $JCLK \geq 4 \times MCLK$.
- It is not recommended to use an LLC output from a video decoder as a clock source for MCLK.

To achieve the lowest power consumption, an MCLK frequency of 27 MHz is recommended for a standard definition CCIR 656 input. The PLL circuit is recommended to have a multiplier of 3. This sets JCLK and HCLK to 81 MHz.

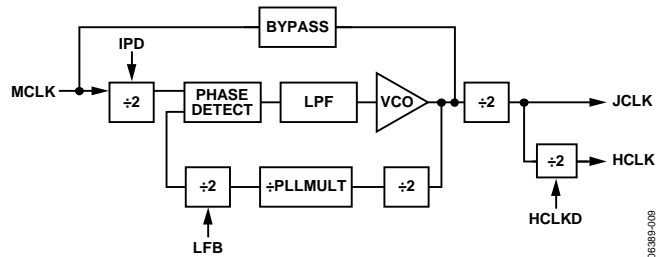


Figure 32. PLL Architecture and Control Functions

Table 20. Recommended PLL Register Settings

| IPD | LFB | PLLMULT | HCLKD | HCLK | JCLK |
|-----|-----|---------|-------|--------------------------|--------------------------|
| 0 | 0 | N | 0 | $N \times MCLK$ | $N \times MCLK$ |
| 0 | 0 | N | 1 | $N \times MCLK/2$ | $N \times MCLK$ |
| 0 | 1 | N | 0 | $2 \times N \times MCLK$ | $2 \times N \times MCLK$ |
| 0 | 1 | N | 1 | $N \times MCLK$ | $2 \times N \times MCLK$ |
| 1 | 0 | N | 0 | $N \times MCLK/2$ | $N \times MCLK/2$ |
| 1 | 0 | N | 1 | $N \times MCLK/4$ | $N \times MCLK/2$ |
| 1 | 1 | N | 0 | $N \times MCLK$ | $N \times MCLK$ |
| 1 | 1 | N | 1 | $N \times MCLK/2$ | $N \times MCLK$ |

Table 21. Recommended Values for PLL_HI and PLL_LO Registers

| Video Standard | CLKIN Frequency on MCLK | PLL_HI | PLL_LO |
|--|-------------------------|--------|--------|
| SMPTE 125M or ITU-R BT.656 (NTSC or PAL) | 27 MHz | 0x0008 | 0x0004 |
| SMPTE 293M (525p) | 27 MHz | 0x0008 | 0x0004 |
| ITU-R BT.1358 (625p) | 27 MHz | 0x0008 | 0x0004 |
| SMPTE 274M (1080i) | 74.25 MHz | 0x0008 | 0x0084 |

HARDWARE BOOT MODES AND POWER CONSIDERATIONS

The boot mode can be configured via hardware using the CFG pins or via software. The first boot mode after power-up is set by the CFG pins and should always be as described in the pin listing. CFG1 is tied to IOVDD through a 10 k resistor and CFG2 is tied to GND through a 10 k resistor.

There is no special power sequencing requirement for VDD and IOVDD.

It is strongly recommended that the user place a small decoupling cap close to every power pin and at least one bulk cap on each supply.

VIDEO INPUT FORMATS

The ADV212 supports a wide variety of formats for uncompressed video and still image data. The actual interface and bus modes selected for transferring uncompressed data dictates the allowed size of the input data and the number of samples transferred with each access.

The host interface can support 8-/10-/12-/14-/16-bit data formats. The video interface can support video data or still image data input/output. Supported formats are 8-/10-/12-bit

YCbCr formats or single component format. All formats can support less precision than provided by specifying the actual data width/precision in the PMODE register.

The maximum allowable data input rate is limited by using irreversible or reversible compression modes and the data width (or precision) of the input samples. See Table 22 and Table 24 to determine the maximum data input rate.

Table 22. Maximum Pixel Data Input Rates (144-Ball Package)

| Interface | Compression Mode | Input Format | Input Rate Limit Active Resolution (MSPS) ¹ | Approximate Minimum Output Rate, Compressed Data ² (Mbps) | Approximate Maximum Output Rate, Compressed Data ³ (Mbps) |
|-----------|------------------|--------------|--|--|--|
| HDATA | Irreversible | 8-bit data | 45 | 130 | 200 |
| | Irreversible | 10-bit data | 45 | 130 | 200 |
| | Irreversible | 12-bit data | 45 | 130 | 200 |
| | Irreversible | 16-bit data | 45 | 130 | 200 |
| | Reversible | 8-bit data | 40 | 130 | 200 |
| | Reversible | 10-bit data | 32 | 130 | 200 |
| | Reversible | 12-bit data | 27 | 130 | 200 |
| | Reversible | 14-bit data | 23 | 130 | 200 |
| VDATA | Irreversible | 8-bit data | 65 | 130 | 200 |
| | Irreversible | 10-bit data | 65 | 130 | 200 |
| | Irreversible | 12-bit data | 65 | 130 | 200 |
| | Reversible | 8-bit data | 40 | 130 | 200 |
| | Reversible | 10-bit data | 32 | 130 | 200 |
| | Reversible | 12-bit data | 27 | 130 | 200 |

¹ Input rate limits for HDATA may be less for certain applications depending on input picture size and content, host interface settings, and DMA transfer settings.

² Minimum guaranteed sustained output rate or minimum sustainable compression rate (input rate/minimum peak output rate).

³ Maximum peak output rate; an output rate above this value is not possible.

Table 23. Maximum Pixel Data Input Rates (121-Ball Package)

| Interface | Compression Mode | Input Format | Input Rate Limit Active Resolution (MSPS) ¹ | Approx Min Output Rate, Compressed Data ² (Mbps) | Approx Max Output Rate, Compressed Data ³ (Mbps) |
|-----------|------------------|--------------|--|---|---|
| HDATA | Irreversible | 8-bit data | 34 | 98 | 150 |
| | Irreversible | 10-bit data | 34 | 98 | 150 |
| | Irreversible | 12-bit data | 34 | 98 | 150 |
| | Irreversible | 16-bit data | 34 | 98 | 150 |
| | Reversible | 8-bit data | 30 | 98 | 150 |
| | Reversible | 10-bit data | 24 | 98 | 150 |
| | Reversible | 12-bit data | 20 | 98 | 150 |
| | Reversible | 14-bit data | 17 | 98 | 150 |
| VDATA | Irreversible | 8-bit data | 48 | 98 | 150 |
| | Irreversible | 10-bit data | 48 | 98 | 150 |
| | Irreversible | 12-bit data | 48 | 98 | 150 |
| | Reversible | 8-bit data | 30 | 98 | 150 |
| | Reversible | 10-bit data | 24 | 98 | 150 |
| | Reversible | 12-bit data | 20 | 98 | 150 |

¹ Input rate limits for HDATA may be less for certain applications depending on input picture size and content, host interface settings, and DMA transfer settings.

² Minimum guaranteed sustained output rate or minimum sustainable compression rate (input rate/minimum peak output rate).

³ Maximum peak output rate; an output rate above this value is not possible.

Table 24. Maximum Supported Tile Width for Data Input on HDATA and VDATA Buses

| Compression Mode | Input Format | Tile/Precinct Maximum Width |
|------------------|------------------|-----------------------------|
| 9/7i | Single-component | 2048 |
| 9/7i | Two-component | 1024 each |
| 9/7i | Three-component | 1024 (Y) |
| 5/3i | Single-component | 4096 |
| 5/3i | Two-component | 2048 (each) |
| 5/3i | Three-component | 2048 (Y) |
| 5/3r | Single-component | 4096 |
| 5/3r | Two-component | 2048 |
| 5/3r | Three-component | 1024 |

APPLICATIONS INFORMATION

This section describes typical video applications for the ADV212 JPEG2000 video processor.

ENCODE—MULTICHIP MODE

Due to the data input rate limitation (see Table 22), an 1080i application requires at least two ADV212s to encode or decode full-resolution 1080i video. In encode mode, the ADV212 accepts Y and CbCr data on separate buses. An encode example is shown in Figure 33.

In decode mode, a master/slave configuration (as shown in Figure 34) or a slave/slave configuration can be used to synchronize the outputs of the two ADV212s.

Applications that have two separate VDATA outputs sent to an FPGA or buffer before they are sent to an encoder do not require synchronization at the ADV212 outputs.

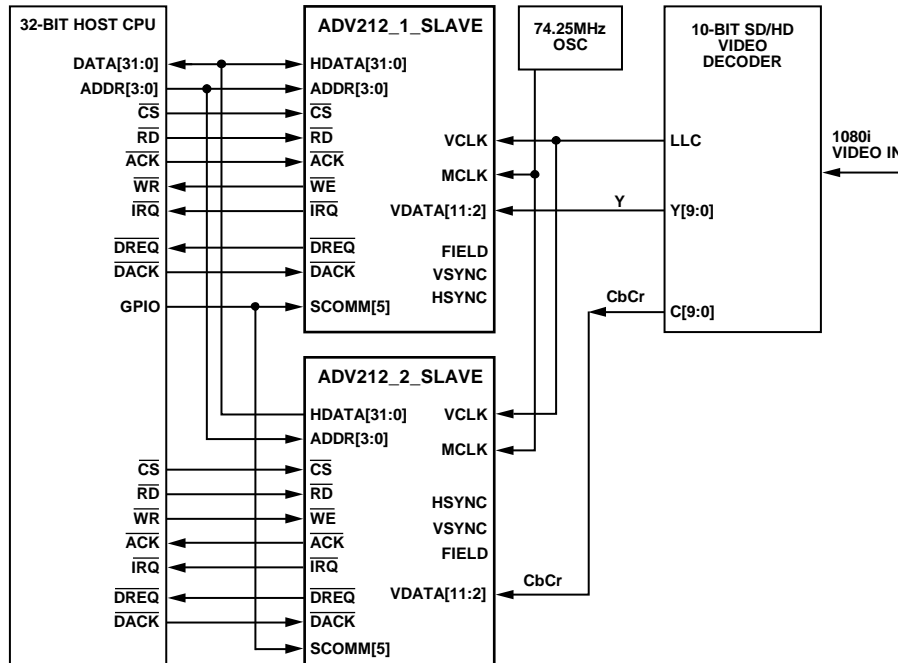


Figure 33. Encode—Multichip Application

06389-002

DECODE—MULTICHIP MASTER/SLAVE

In a master/slave configuration, it is expected that the master HVF outputs are connected to the slave HVF inputs and that each SCOMM5 pin is connected to the same GPIO on the host.

In a slave/slave configuration, the common HVF for both ADV212s is generated by an external house sync, and each SCOMM5 is connected to the same GPIO output on the host.

SWIRQ1, Software Interrupt 1 in the EIRQIE register, must be unmasked on both devices to enable multichip mode.

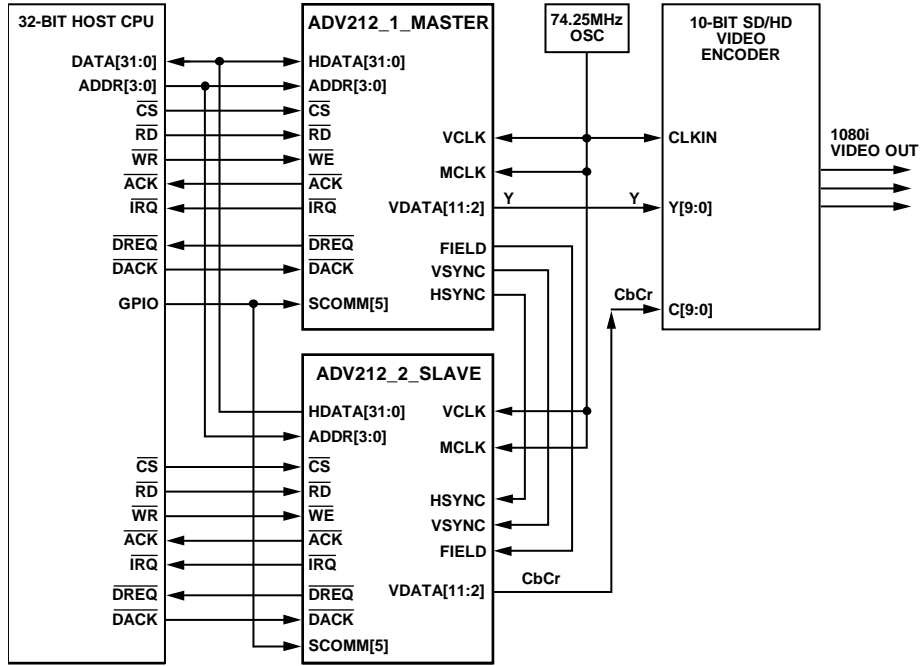


Figure 34. Decode—Multichip Master/Slave Application

063989-003

ADV212

DIGITAL STILL CAMERA/CAMCORDER

Figure 35 is a typical configuration for a digital camera or camcorder.

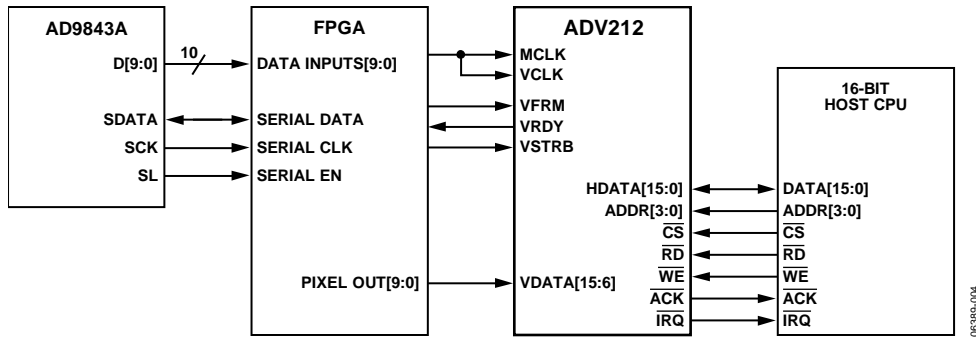


Figure 35. Digital Still Camera/Camcorder Encode Application for 10-Bit Pixel Data Using Raw Pixel Mode

063819-004

ENCODE/DECODE SDTV VIDEO APPLICATION

Figure 36 shows two ADV212 chips using a 10-bit CCIR 656 in normal host mode.

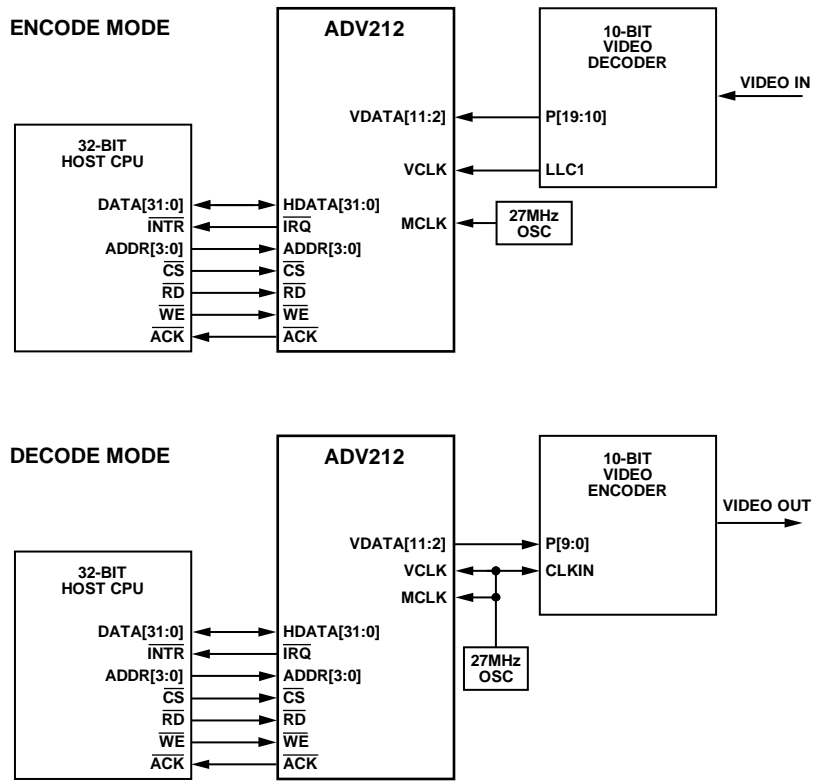


Figure 36. Encode/Decode—SDTV Video Application

06389-005

ADV212

32-BIT HOST APPLICATION

Figure 37 shows two ADV212 chips using a 10-bit CCIR 656 in normal host mode.

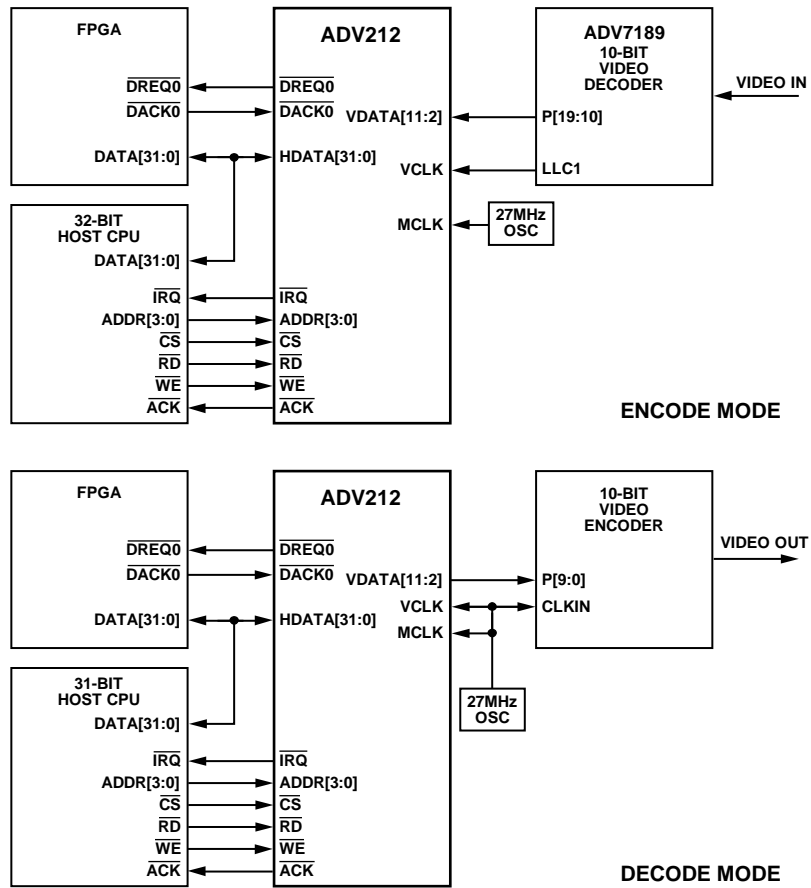


Figure 37. Encode/Decode 32-Bit Host Application

063384-006

HIPI (HOST INTERFACE—PIXEL INTERFACE)

Figure 38 is a typical configuration using HIPI mode.

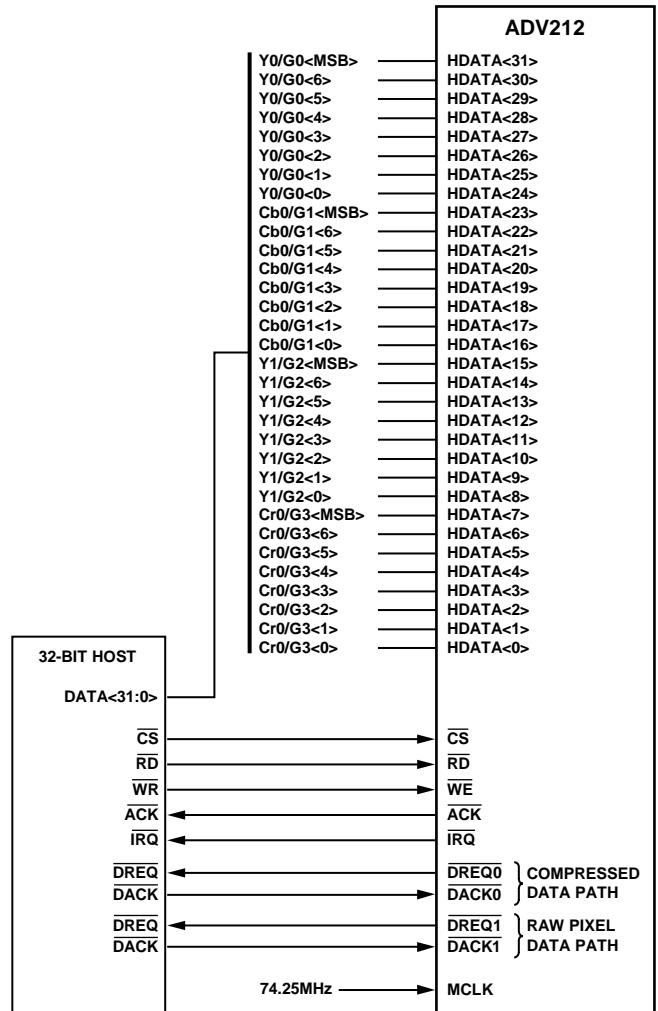


Figure 38. Host Interface—Pixel Interface Mode

06389-007

ADV212

JDATA INTERFACE

Figure 39 shows a typical configuration using JDATA with a dedicated JDATA output, 16-bit host, and 10-bit CCIR 656.

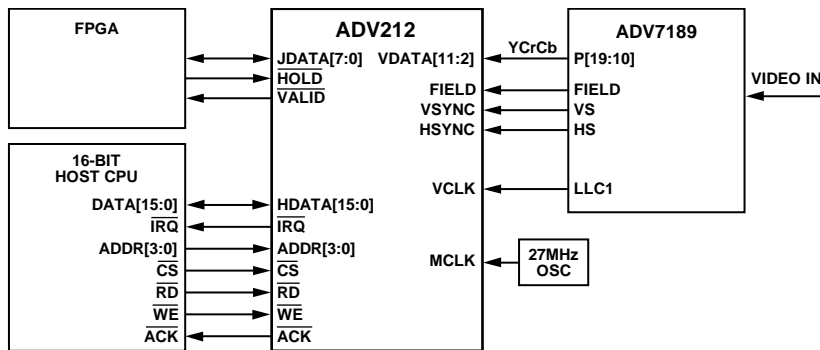
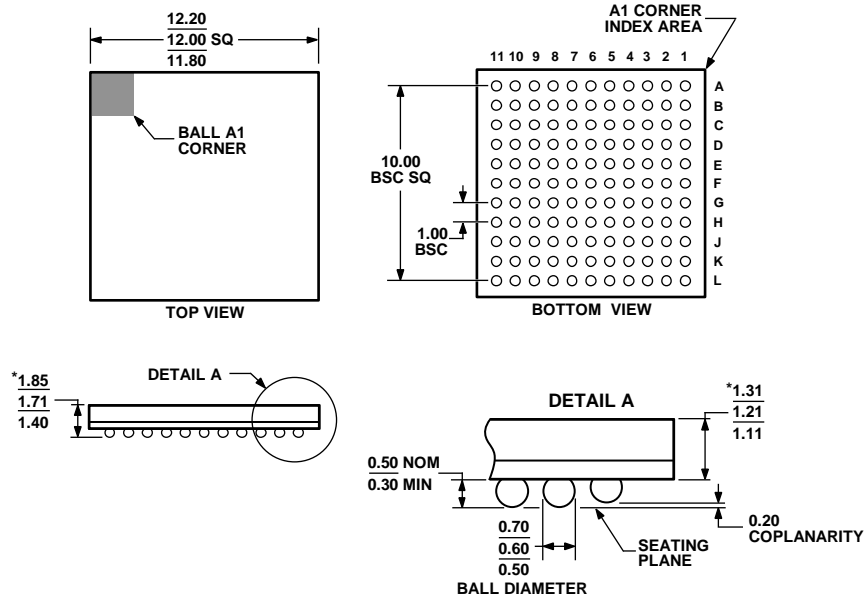


Figure 39. JDATA Application

06389-008

OUTLINE DIMENSIONS

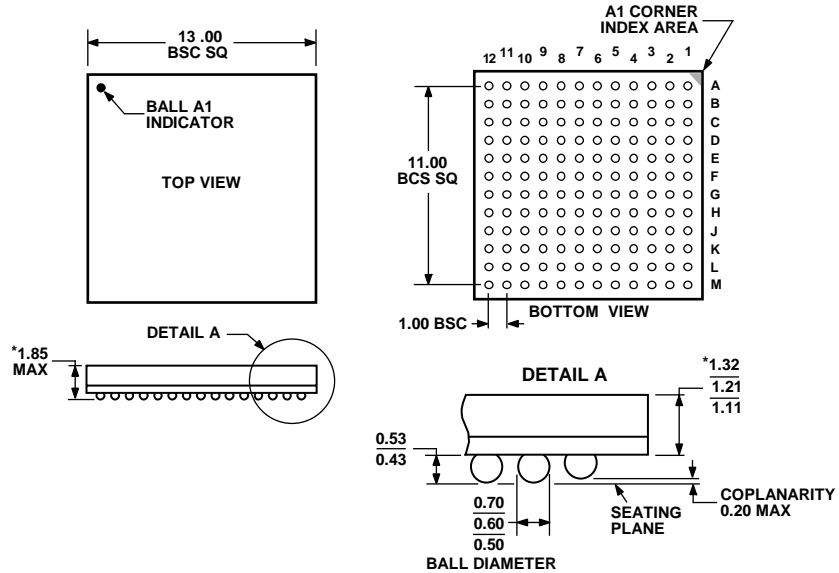


*COMPLIANT WITH JEDEC STANDARDS MO-192-ABD-1 WITH EXCEPTION TO PACKAGE HEIGHT AND THICKNESS.

Figure 40. 121-Ball Chip Scale Package Ball Grid Array [CSP_BGA] (BC-121-1)

Dimensions shown in millimeters

082406-A



*COMPLIANT WITH JEDEC STANDARDS MO-192-AAD-1 WITH EXCEPTION TO PACKAGE HEIGHT AND THICKNESS.

Figure 41. 144-Ball Chip Scale Package Ball Grid Array [CSP_BGA] (BC-144-3)

Dimensions shown in millimeters

021506-A

ADV212

ORDERING GUIDE

| Model ¹ | Temperature Range | Speed Grade | Operating Voltage | Package Description | Package Option |
|--------------------|-------------------|-------------|---------------------------------------|---|----------------|
| ADV212BBCZ-115 | −40°C to +85°C | 115 MHz | 1.5 V Internal, 2.5 V or 3.3 V I/O | 121-Ball Chip Scale Package Ball Grid Array [CSP_BGA] | BC-121-1 |
| ADV212BBCZRL-115 | −40°C to +85°C | 115 MHz | 1.5 V Internal, 2.5 V or 3.3 V I/O | 121-Ball Chip Scale Package Ball Grid Array [CSP_BGA] | BC-121-1 |
| ADV212BBCZ-150 | −40°C to +85°C | 150 MHz | 1.5 V Internal, 2.5 V or 3.3 V I/O | 144-Ball Chip Scale Package Ball Grid Array [CSP_BGA] | BC-144-3 |
| ADV212BBCZRL-150 | −40°C to +85°C | 150 MHz | 1.5 V Internal, 2.5 V or 3.3 V I/O | 144-Ball Chip Scale Package Ball Grid Array [CSP_BGA] | BC-144-3 |

¹Z = RoHS Compliant Part.

NOTES

ADV212

NOTES