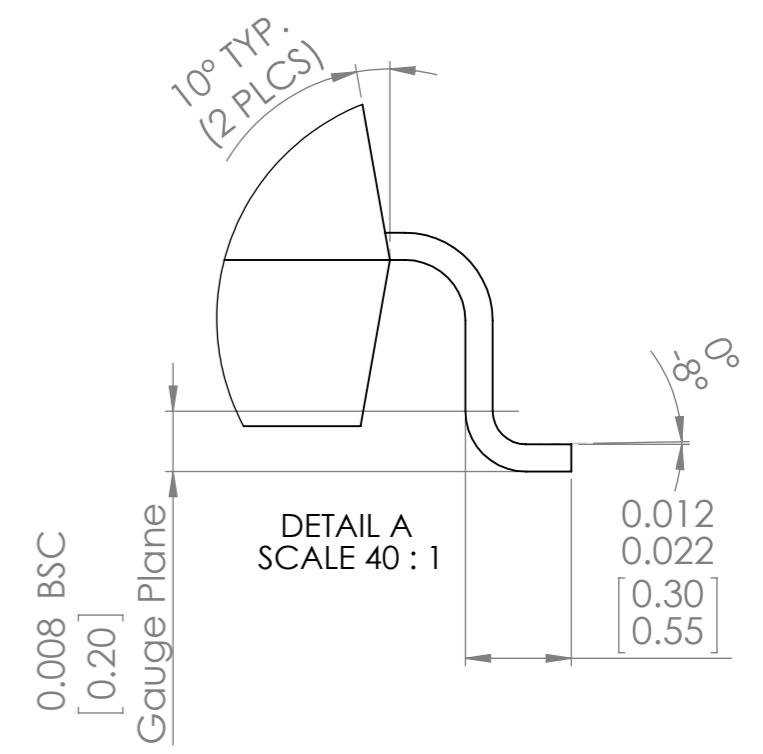
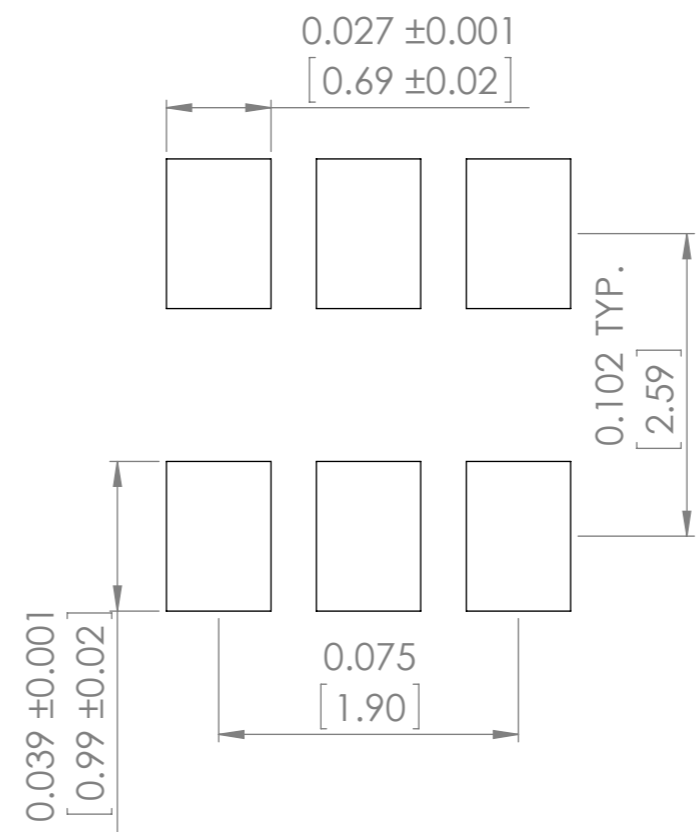
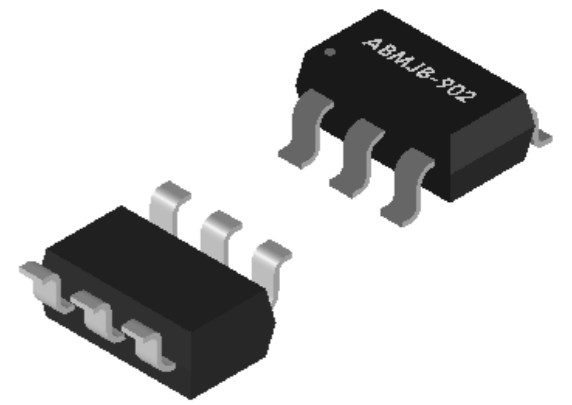
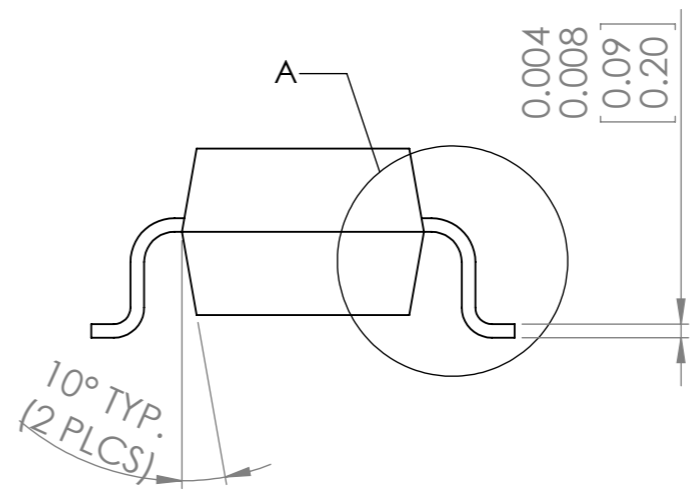
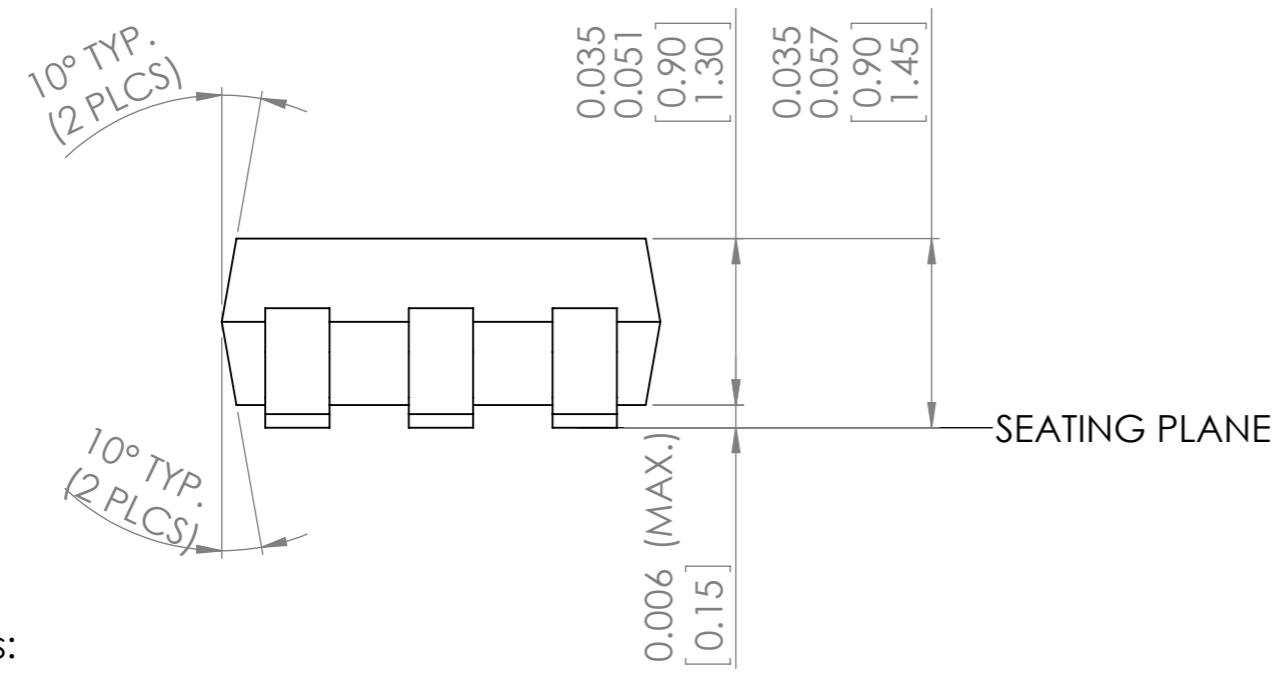


Recommended Land pattern



Pin No.	Configuration
1	PDB, OE,CLKI
2	GND
3	FREFIN
4	VDD
5	CSEL,CLK2
6	CLK0



Notes:

1. Dimensions and tolerances are as per ANSI Y14.5M, 1982
2. Package surface to be mirror finish.
3. Die is facing up for mold. Die is facing down for trim/form.i.e. rverse trim/form.
4. The foot measuring is based on the gauge plane method.

Dimensions are exclusive of mold flash & gate burr.

UNLESS OTHERWISE SPECIFIED: DIMENSIONS ARE IN INCH(MM) SURFACE FINISH: TOLERANCES: LINEAR: ANGULAR:				FINISH:		DEBUR AND BREAK SHARP EDGES		DO NOT SCALE DRAWING		REVISION -	
DRAWN -				SIGNATURE		DATE		 ABRACON CORPORATION 30332 Esperanza, Rancho Santa margarita, California 92688 TITLE: - DWG NO. ABMJ B-902 A3			
CHK'D XXXXXX											
APP'V'D											
MFG											
Q.A											
				MATERIAL:				SCALE:20:1		SHEET 1 OF 1	
				WEIGHT:							