

◆CHIP TYPE PART NUMBER

□□□		□□□□		□□□□□		□	□□□	D×L	
Rated Voltage		Series		Capacitance		Capacitance Tolerance	Option ※1	Case Size	
↑		↑		↑		↑	↑	↑	
Rated Voltage(Vdc)	Code	Cap.(μF)	Code	Tolerance	Code				
6.3	6.3	4.7	4R7	±20%	M				
10	10	220	220				4×6.1		
25	25	3300	3300				8×10.5		
100	100							16×21.5	
Please indicate the above information, when ordering.									
Example									
35		TZV		330		M		10×10.5	

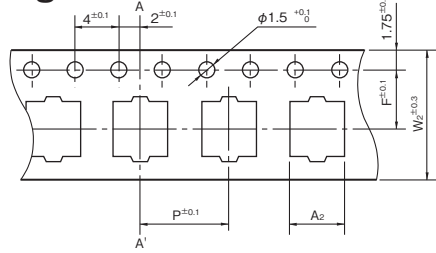
※1 Option : Standard item is blank.

◆RADIAL LEAD TYPE PART NUMBER

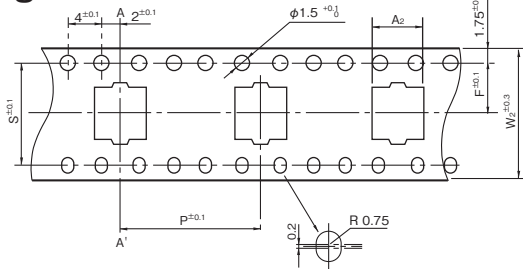
□□□		□□□□		□□□□□		□	□□□	□□	D×L
Rated Voltage		Series		Capacitance		Capacitance Tolerance	Option ※2	Lead Forming ※3	Case Size
↑		↑		↑		↑	↑	↑	↑
Rated Voltage(Vdc)	Code	Cap.(μF)	Code	Tolerance	Code	Option	Lead Forming		
6.3	6.3	0.1	OR1	±20%	M	EFC etc	TA, KC, CA etc		
10	10	0.47	OR47						
25	25	1	1						
100	100	10	10						
		1000	1000						
Please indicate the above information, when ordering.									
Example									
*Long lead type		50	PX	2R2	M	EFC	5×11		
*Taping type		35	ZLJ	220	M		TA	8×16	

※2 Option : Please confirm each series page.

※3 Lead Forming : Please refer to TAPING SPECIFICATIONS and LEAD CUTTING FORMING SPECIFICATIONS. (P46~48)

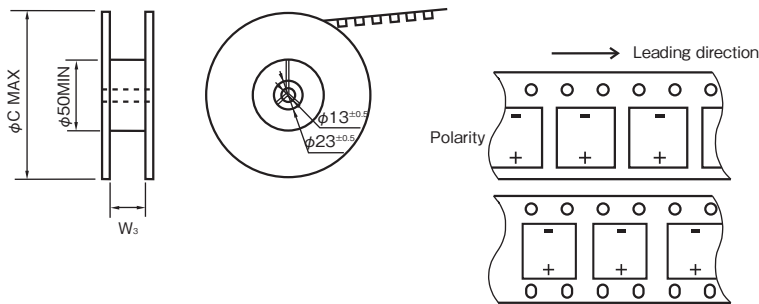
Chip type capacitors
◆ TAPING DIMENSIONS
Fig.1


Cross section of A-A'

Fig.2


Cross section of A-A'

Size	W ₂ (mm)	A ₂ (mm)	B ₂ (mm)	P (mm)	t ₂ (mm)	F (mm)	t ₁ (mm)	S (mm)	Applicable
φ4×6.1	12.0	4.7	4.7	8	6.2	5.5	0.4	—	Fig.1
φ5×6.1	12.0	5.7	5.7	12	6.2	5.5	0.4	—	
φ6.3×6.1	16.0	7.0	7.0	12	6.2	7.5	0.4	—	
φ6.3×8	16.0	7.0	7.0	12	8.2	7.5	0.4	—	
φ8×6.5	16.0	8.7	8.7	12	6.8	7.5	0.4	—	
φ8×10.5	24.0	8.7	8.7	16	11.0	11.5	0.4	—	
φ12.5×13.5	32.0	13.4	13.4	24	14.4	14.2	0.5	28.4	Fig.2
φ12.5×16	32.0	13.4	13.4	24	16.3	14.2	0.5	28.4	
φ16×16.5	44.0	17.5	17.5	28	17.4	20.2	0.5	40.4	
φ16×21.5	44.0	17.5	17.5	28	22.4	20.2	0.5	40.4	
φ18×16.5	44.0	19.5	19.5	32	17.4	20.2	0.5	40.4	
φ18×21.5	44.0	19.5	19.5	32	22.4	20.2	0.5	40.4	

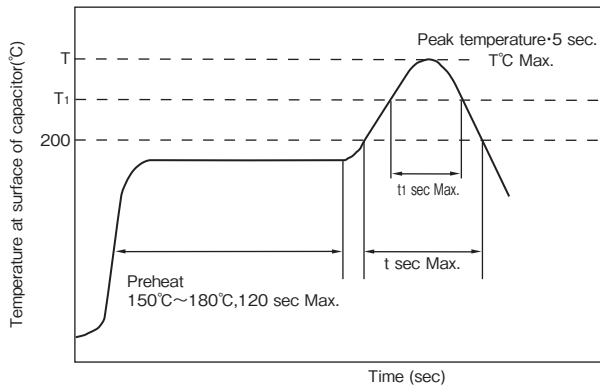
◆ TAPING REEL AND PACKING QUANTITY


Size (mm)	W ₃ (mm)	φC (mm)	Q'ty (pcs/reel)	Standard Shipping Carton Quantity (pcs/Box)
φ4×6.1	14	382	2,000	10,000
φ5×6.1	14	382	1,000	5,000
φ6.3×6.1	18	382	1,000	5,000
φ6.3×8	18	382	900	4,500
φ8×6.5	18	382	1,000	5,000
φ8×10.5	26	382	500	2,000
φ10×10.5	26	382	500	2,000
φ12.5×13.5	34	332	200	600
φ12.5×16	34	332	150	450
φ16×16.5, φ18×16.5	46	332	125	250
φ16×21.5, φ18×21.5	46	332	75	150

Reusable reels are available according to your request.
Please consult in regard to establishing supply and withdrawal system.

◆ LEAD FREE TYPE REFLOW SOLDERING CONDITION
● Size $\phi 4 \sim \phi 10$

- 1) Temperature at surface of capacitor shall not exceed $T^{\circ}\text{C}$.
- 2) Period that temperature at surface of capacitor becomes more than 200°C and $T_1^{\circ}\text{C}$ shall not exceed t and t_1 seconds, respectively.
- 3) Preheat shall be made at $150^{\circ}\text{C} \sim 180^{\circ}\text{C}$ and for maximum 120 seconds.



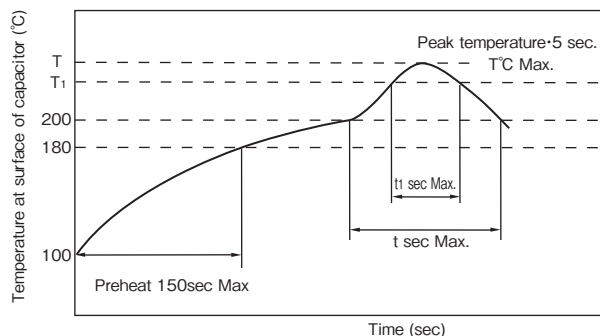
Series	Size	Rated Voltage	$T(^{\circ}\text{C})$ ①	$T_1(^{\circ}\text{C})$	$t(\text{sec})$ ②	$t_1(\text{sec})$ ③	Reflow Cycle
SEV SKV SGV	$\phi 4 \sim \phi 6.3$	$\leq 50\text{Vdc}$	250	230	70	30	2
TZV TKV TPV TLV TRV TXV THV TGV	$\phi 8$	$\leq 100\text{Vdc}$	245	230	70	30	2
	$\phi 10$		240	230	60	30	2
	$\phi 8, 10$	$\geq 160\text{Vdc}$	240	230	50	20	2
SJV SLV	$\phi 4 \sim \phi 6.3$	$\leq 50\text{Vdc}$	240	220	60	40	1
JGV JZV	$\phi 4 \sim \phi 6.3$	$\leq 50\text{Vdc}$	260	217	—	60	2
	$\phi 8, \phi 10$		250	217	—	60	2

- ① Peak temperature
 ② Time more than 200°C (MAX)
 ③ Time more than T_1 (MAX)

※ Please contact us if the condition is over the maximum.

● Size $\phi 12.5 \sim \phi 18$

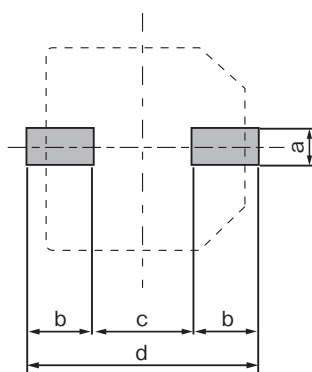
- 1) Temperature at surface of capacitor shall not exceed $T^{\circ}\text{C}$.
- 2) Period that temperature at surface of capacitor becomes more than 200°C and $T_1^{\circ}\text{C}$ shall not exceed t and t_1 seconds, respectively.
- 3) Preheat shall be made at $100^{\circ}\text{C} \sim 180^{\circ}\text{C}$ and for maximum 150 seconds.



Series	Size	Rated Voltage	$T(^{\circ}\text{C})$ ①	$T_1(^{\circ}\text{C})$	$t(\text{sec})$ ②	$t_1(\text{sec})$ ③	Reflow cycle
SEV SKV SGV	$\phi 12.5 \sim \phi 18$	$\leq 50\text{Vdc}$	240	230	60	30	2
TLV TRV TGV		63Vdc	240	230	50	20	2
		100Vdc	240	230	50	20	2
		$\geq 160\text{Vdc}$	230	220	50	20	2

- ① Peak temperature
 ② Time more than 200°C (MAX)
 ③ Time more than T_1 (MAX)

※ Please contact us if the condition is over the maximum.

◆ RECOMMENDED LAND SIZE


Size	a	b	c	d
$\phi 4$	1.6	2.6	1.0	6.2
$\phi 5$	1.6	3.0	1.4	7.4
$\phi 6.3$	1.6	3.5	2.1	9.1
$\phi 8 \times 6.5$	1.6	4.5	2.1	11.1
$\phi 8 \times 10.5$	2.2	4.1	3.0	11.2
$\phi 10 \times 10.5$	2.2	4.3	4.5	13.1
$\phi 12.5$	2.5	6.0	5.0	17
$\phi 16$	3	6.5	8.0	21
$\phi 18$	3	7.5	8.0	23

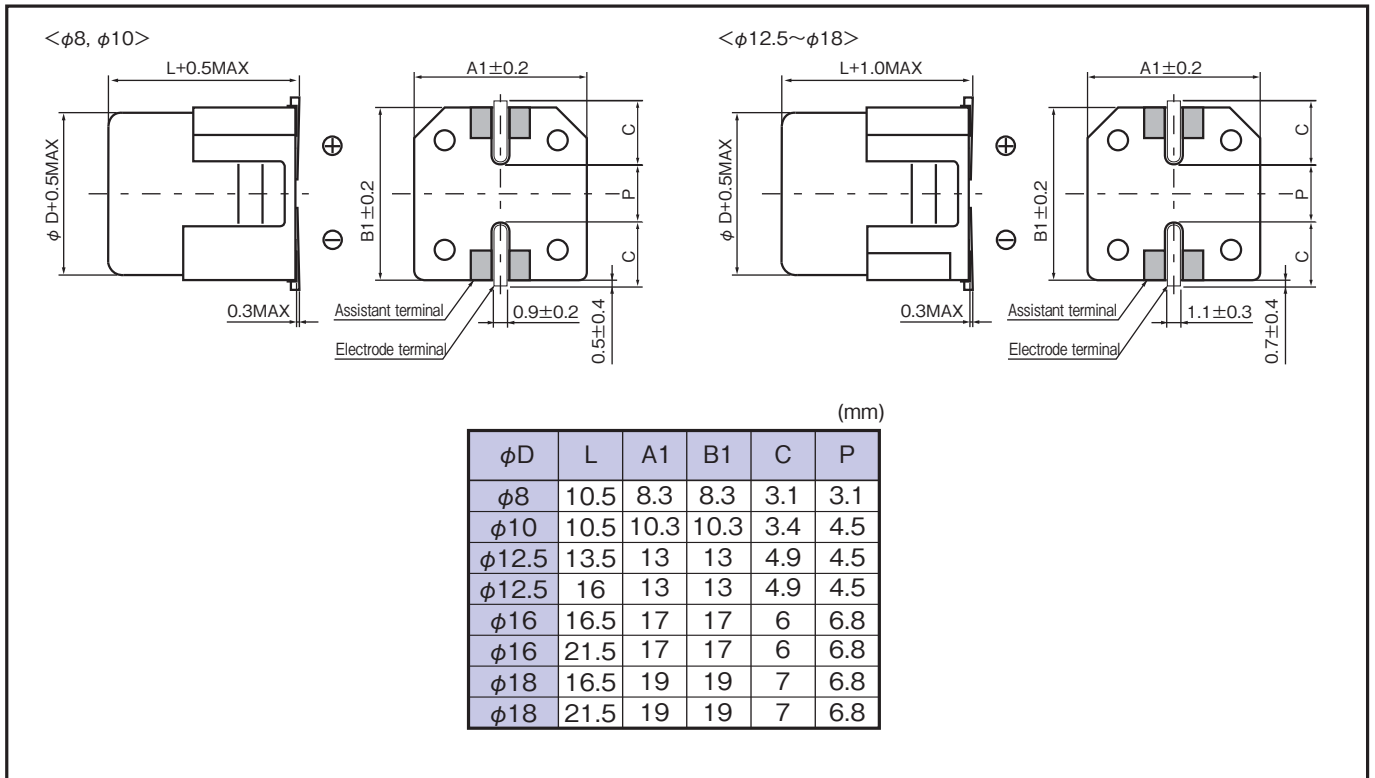
◆Vibration proof packages with the supporting terminal

- For chip Aluminum electrolytic capacitors more than case size $\phi 8$, vibration proof packages supports.


◆PART NUMBER

□□□ /
 □□□ /
 □□□□□ /
 □ /
 □□□ /
 VB /
 DXL

Rated Voltage / Series / Capacitance / Capacitance Tolerance / Option / Vibration proof package No. / Case Size

◆DIMENSIONS

◆RECOMMENDED LAND SIZE
