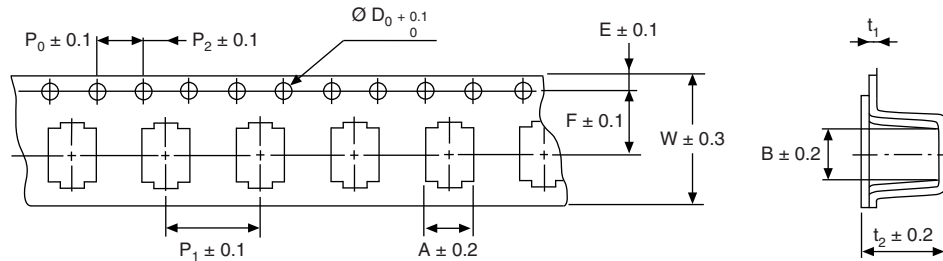


Aluminum Electrolytic Capacitors, Vishay Roederstein, SMD

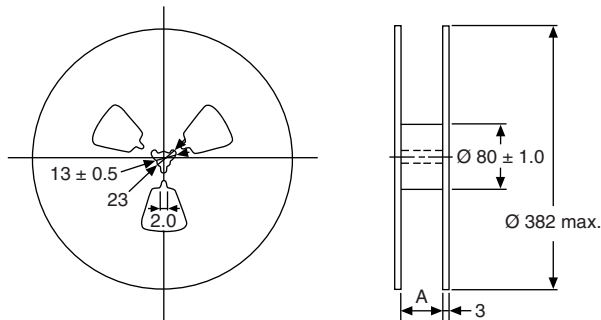
TAPING SPECIFICATIONS

Carrier Tape

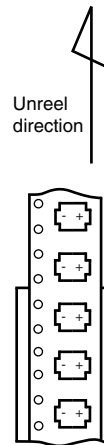


Ø D x L	A	B	Ø D ₀	E	F	P ₀	P ₁	P ₂	T ₁	T ₂	W
4 x 5.3	4.7	4.7	1.5	1.75	5.5	4.0	8.0	2.0	0.4	5.7	12.0
4 x 5.8	4.7	4.7	1.5	1.75	5.5	4.0	8.0	2.0	0.4	6.3	12.0
5 x 5.3	5.7	5.7	1.5	1.75	5.5	4.0	12.0	2.0	0.4	5.7	12.0
5 x 5.8	5.7	5.7	1.5	1.75	5.5	4.0	12.0	2.0	0.4	6.3	12.0
6.3 x 5.3	7.0	7.0	1.5	1.75	7.5	4.0	12.0	2.0	0.4	5.7	16.0
6.3 x 5.8	7.0	7.0	1.5	1.75	7.5	4.0	12.0	2.0	0.4	6.3	16.0
6.3 x 7.7	7.0	7.0	1.5	1.75	7.5	4.0	12.0	2.0	0.4	8.2	16.0
8 x 6.2	8.7	8.7	1.5	1.75	7.5	4.0	12.0	2.0	0.4	6.8	16.0
8 x 10	8.7	8.7	1.5	1.75	11.5	4.0	16.0	2.0	0.4	11.0	24.0
10 x 10	10.7	10.7	1.5	1.75	11.5	4.0	16.0	2.0	0.4	11.0	24.0

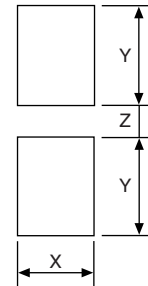
Reel



Polarity



Recommended Land Size



Ø D x L	A	QUANTITY / REEL (PIECES)	QUANTITY / BOX (PIECES)	X	Y	Z
4 x 5.3	14	2000	20 000	1.6	2.6	1.0
4 x 5.8	14	2000	20 000	1.6	2.6	1.0
5 x 5.3	14	1000	10 000	1.6	3.0	1.4
5 x 5.8	14	1000	10 000	1.6	3.0	1.4
6.3 x 5.3	18	1000	10 000	1.6	3.5	2.0
6.3 x 5.8	18	1000	10 000	1.6	3.5	2.0
6.3 x 7.7	18	900	9000	1.6	3.5	2.0
8 x 6.2	18	1000	10 000	2.5	4.0	2.0
8 x 10	26	500	4000	2.5	3.5	3.0
10 x 10	26	500	4000	2.5	4.0	4.0

Note

- Design specifications are subject to change without notice.