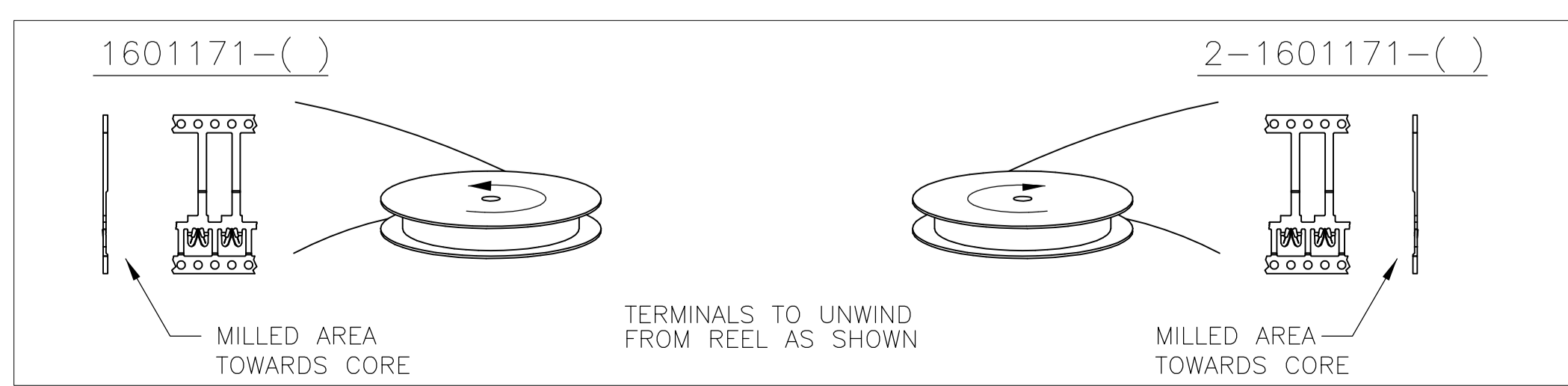
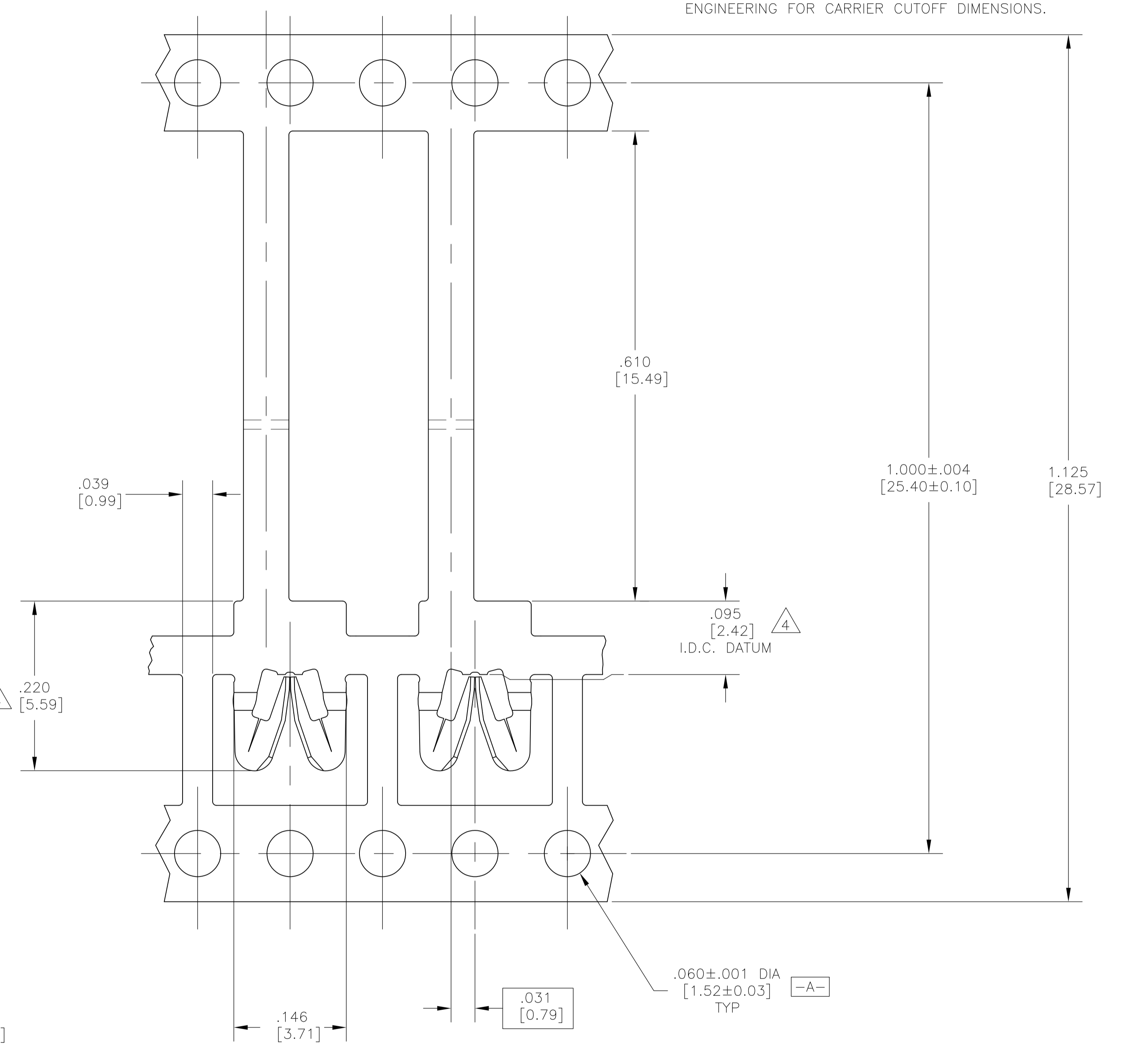
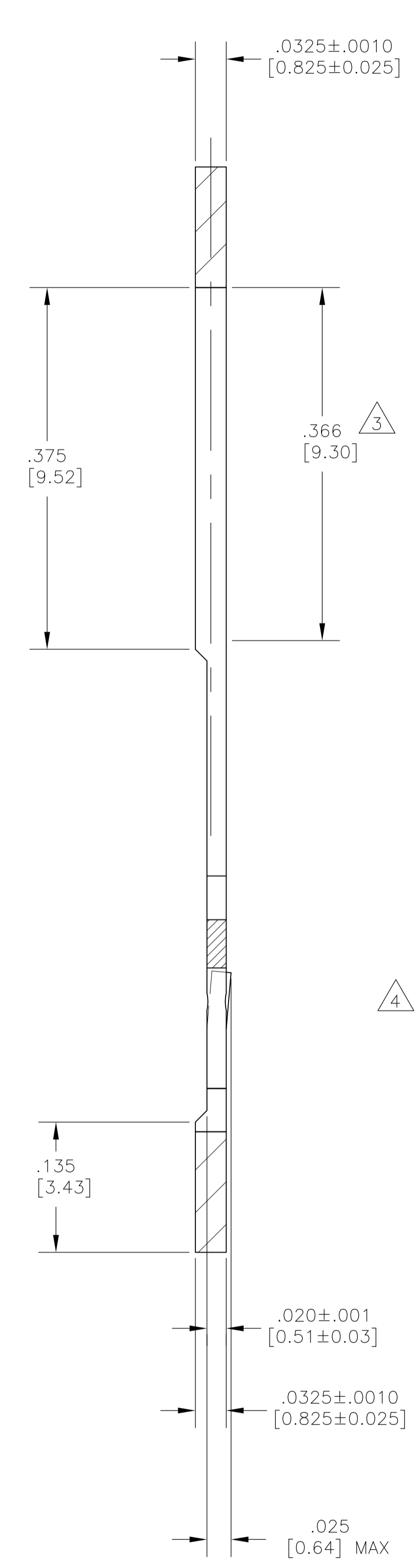
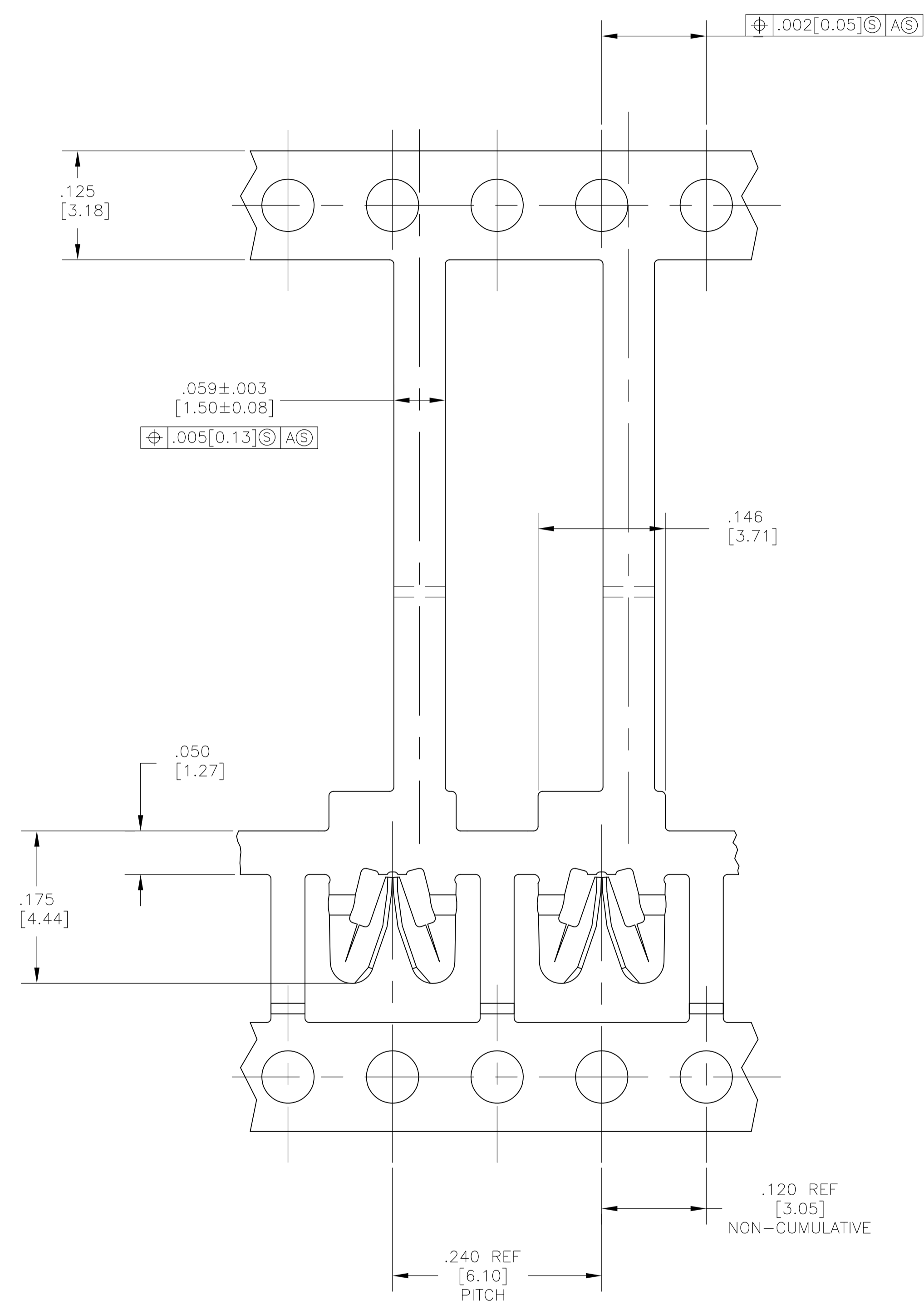


LOC		DIST		REVISIONS			
REV	DATE	BY	CHK	DESCRIPTION	DATE	DMN	APVD
F1				REVISED PER ECR-07-024681	26OCT07	HMR	GJ

- SPECIFICATIONS: MAGNET WIRE RANGE; #18-#34 .006-.040 DIA [0.16-1.02] mm COPPER. OTHER SIZES MAY BE ACCOMMODATED, CONSULT TYCO ELECTRONICS FOR APPROVAL.
- POCKET RECOMMENDATION: 1601424.
- MAINTAIN THICKNESS FOR THIS LENGTH AND COIN EDGES WITH NO BURRS.
- SPC DATA REQUIRED FOR THESE DIMENSIONS
- TERMINAL APPLICATION TO COMPLY WITH TYCO ELECTRONICS SPECIFICATION 114-13166 FIGURE 5. CONSULT TYCO ELECTRONICS ENGINEERING FOR CARRIER CUTOFF DIMENSIONS.



2-1601171-2
PART NUMBER

THIS DRAWING IS A CONTROLLED DOCUMENT.		DWN MICHAEL S. FEJER 22OCT2002	Tyco Electronics Corporation Harrisburg, PA 17105-3608	
DIMENSIONS: INCHES		CHK GENE JACONO 22OCT2002	APVD GENE JACONO 22OCT2002	
TOLERANCES UNLESS OTHERWISE SPECIFIED:		NAME .059 X .032 OFFSET TAB STANDARD SIAMEZE TERMINAL		
0. PLC ± -	1. PLC ± -	PRODUCT SPEC 108-2085		
2. PLC ± .01[0.25]	3. PLC ± .005[0.13]	APPLICATION SPEC		
4. PLC ANGLES ± ± °		SIZE A1		
MATERIAL BRASS, FULL HARD	FINISH PRE-TIN PLATE	WEIGHT -	CAGE CODE 00779	DRAWING NO 1601171
CUSTOMER DRAWING		SCALE 10:1	SHEET 1 OF 1	REV F1