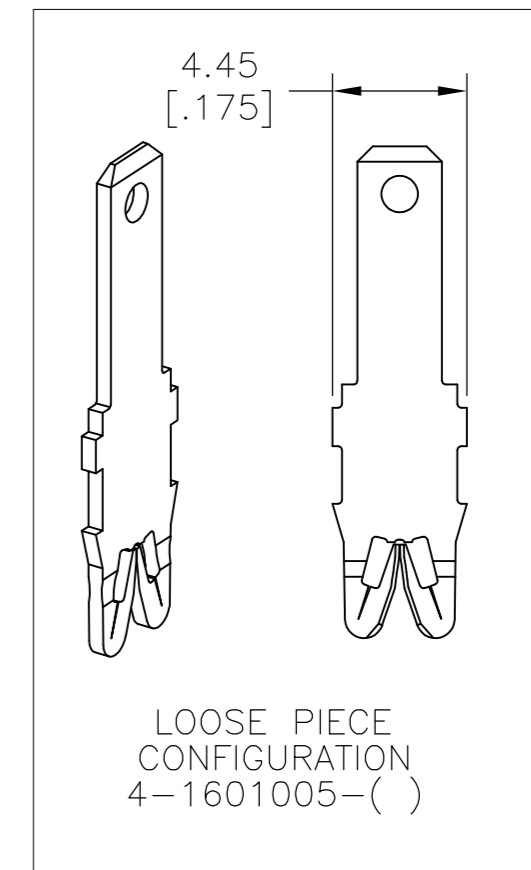
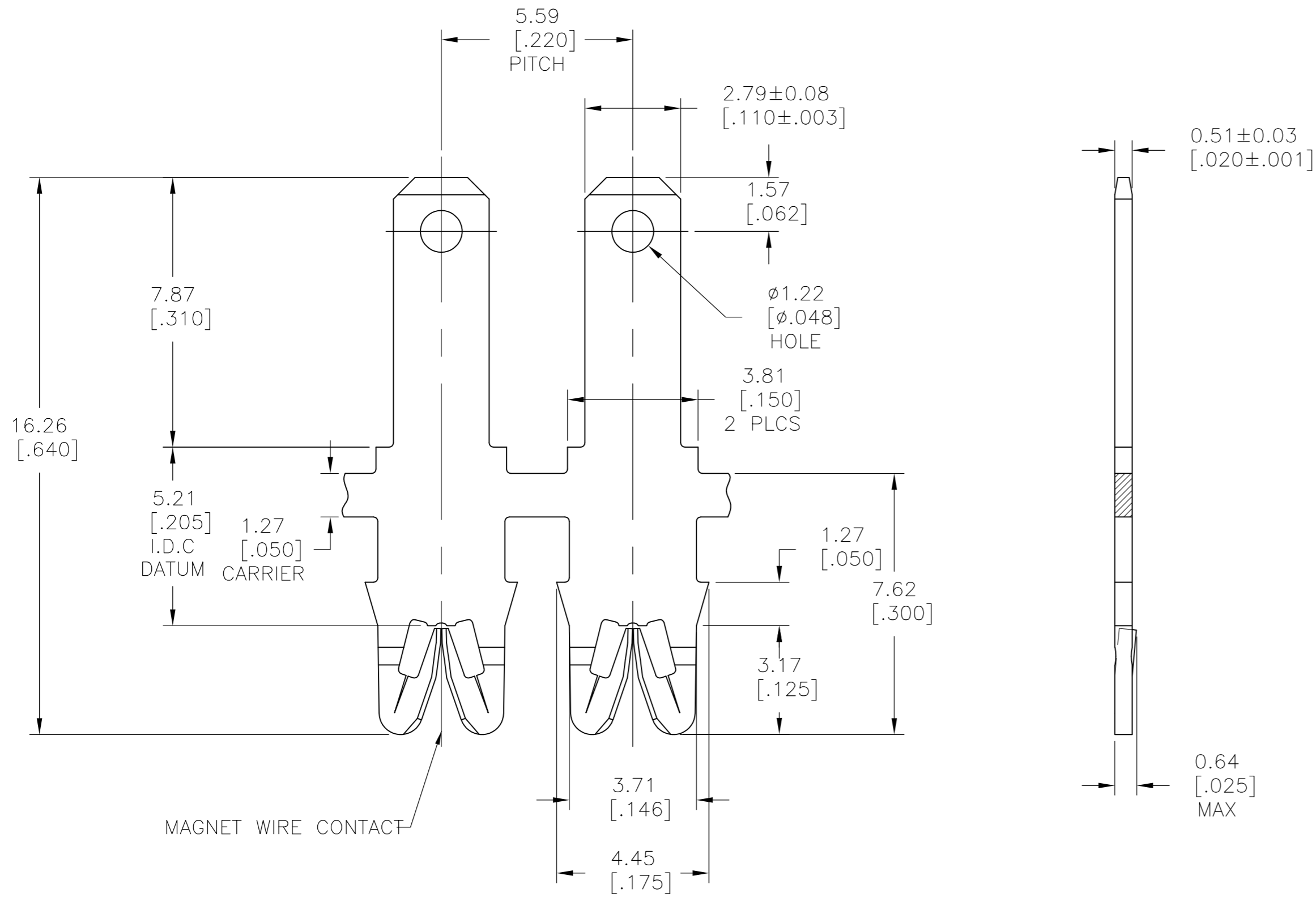


THIS DRAWING IS UNPUBLISHED. RELEASED FOR PUBLICATION
 © COPYRIGHT - By - ALL RIGHTS RESERVED.

LOC		DIST		REVISIONS			
P	LTR	DESCRIPTION		DATE	DWN	APVD	
AF	50	D4	REVISED PER ECR-14-006631	07MAY2014	GRZ	JL	

- SPECIFICATIONS:
MAGNET WIRE #18-#34 AWG. 0.16-1.02 [.006-.040] DIA COPPER. OTHER SIZES MAY BE ACCOMMODATED, CONSULT TYCO ELECTRONICS FOR APPROVAL.
- POCKET RECOMMENDATION: #1601425.
ALTERNATE POCKET #1601421.
- NOTES: TERMINALS SUPPLIED ON REELS, CAN BE SUPPLIED LOOSE PIECE.
- COATED OVERALL WITH VARNISH RESIST WHEN INDICATED IN TABLE BELOW.
- TERMINAL TO BE APPLIED PER TYCO ELECTRONICS SPECIFICATION 114-13166 FIGURE 7.
- TWO(2) TERMINALS SHOWN FOR ILLUSTRATION PURPOSES ONLY.
- PRE-PRODUCTION - F.A.S.R REQUIRED



PRE TIN PLATE	-	△ 4-1601005-2
UNPLATED	-	△ 4-1601005-1
UNPLATED △ 4	-	1601005-3
PRE TIN PLATE	131-012-002	1601005-2
UNPLATED	131-012-000	1601005-1
FINISH	REFERENCE PART NUMBER	TE PART NUMBER
THIS DRAWING IS A CONTROLLED DOCUMENT.		DWN J.WELLER 11JAN2002
DIMENSIONS: mm [INCHES]		CHK M.FEHER 11JAN2002
TOLERANCES UNLESS OTHERWISE SPECIFIED:		APVD K.RANDOLPH 11JAN2002
0 PLC ± -	PRODUCT SPEC	NAME
1 PLC ± -	108-2085	STANDARD RANGE WIRE TO 2.79 X 0.51
2 PLC ± 0.13[.005]	APPLICATION SPEC	BARB SIAMEZE TERMINAL
3 PLC ± -	△ 5	SIZE CAGE CODE DRAWING NO RESTRICTED TO
4 PLC ± -		A2 00779 C=1601005 -
ANGLES ± 2°		SCALE 1:1 SHEET 1 OF 1 REV D4
MATERIAL BRASS, SPRING HARD	FINISH SEE TABLE	WEIGHT - CUSTOMER DRAWING