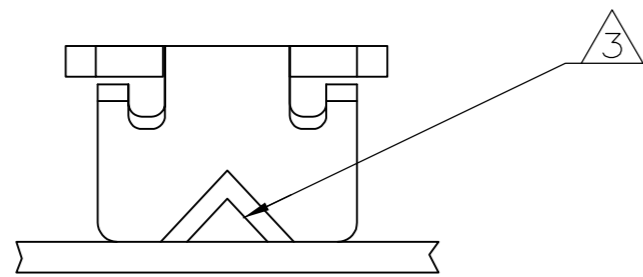
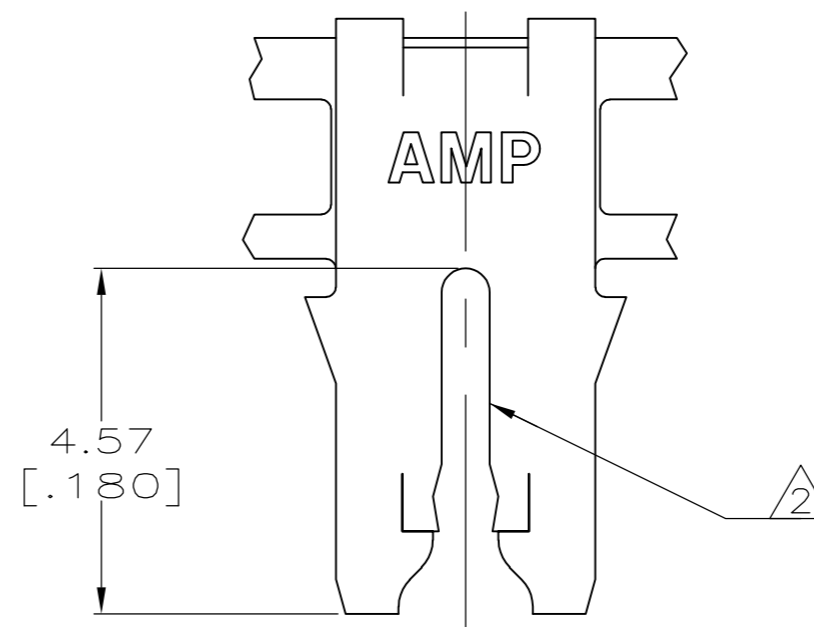
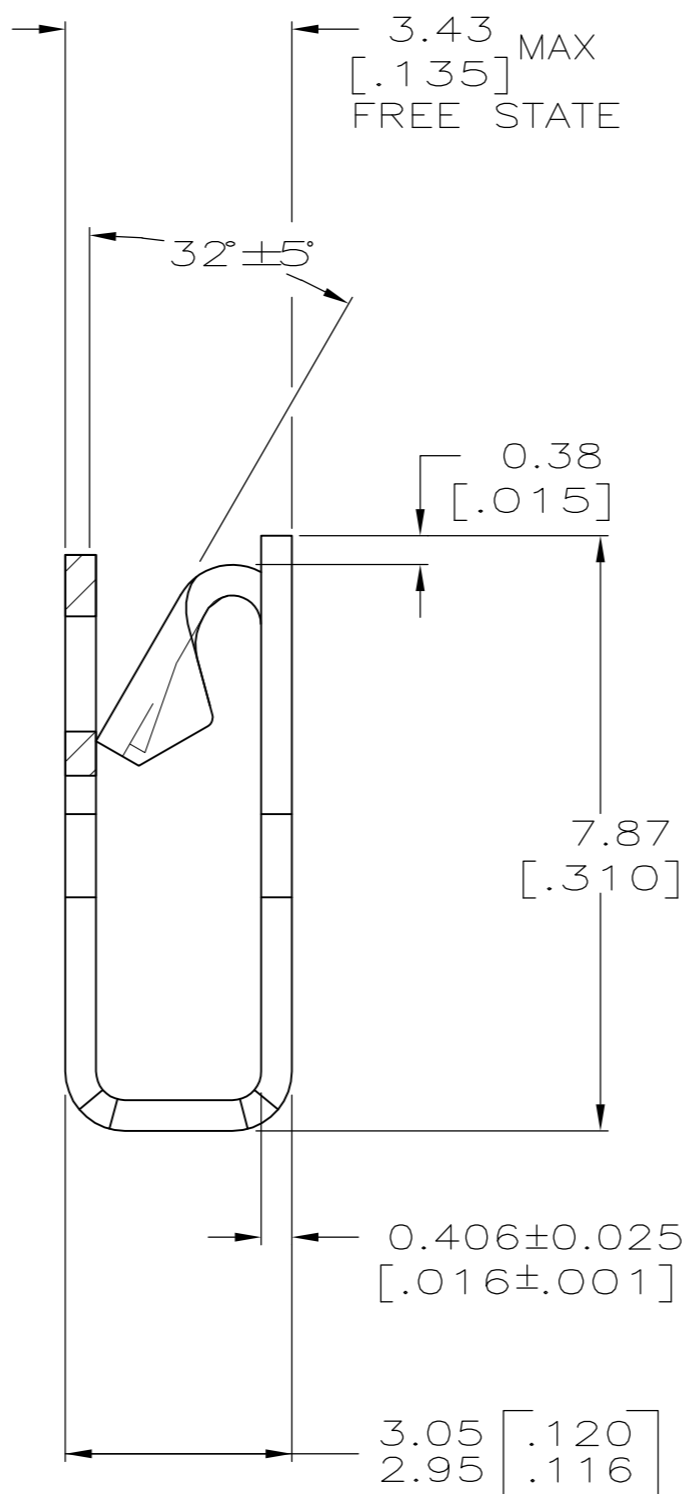
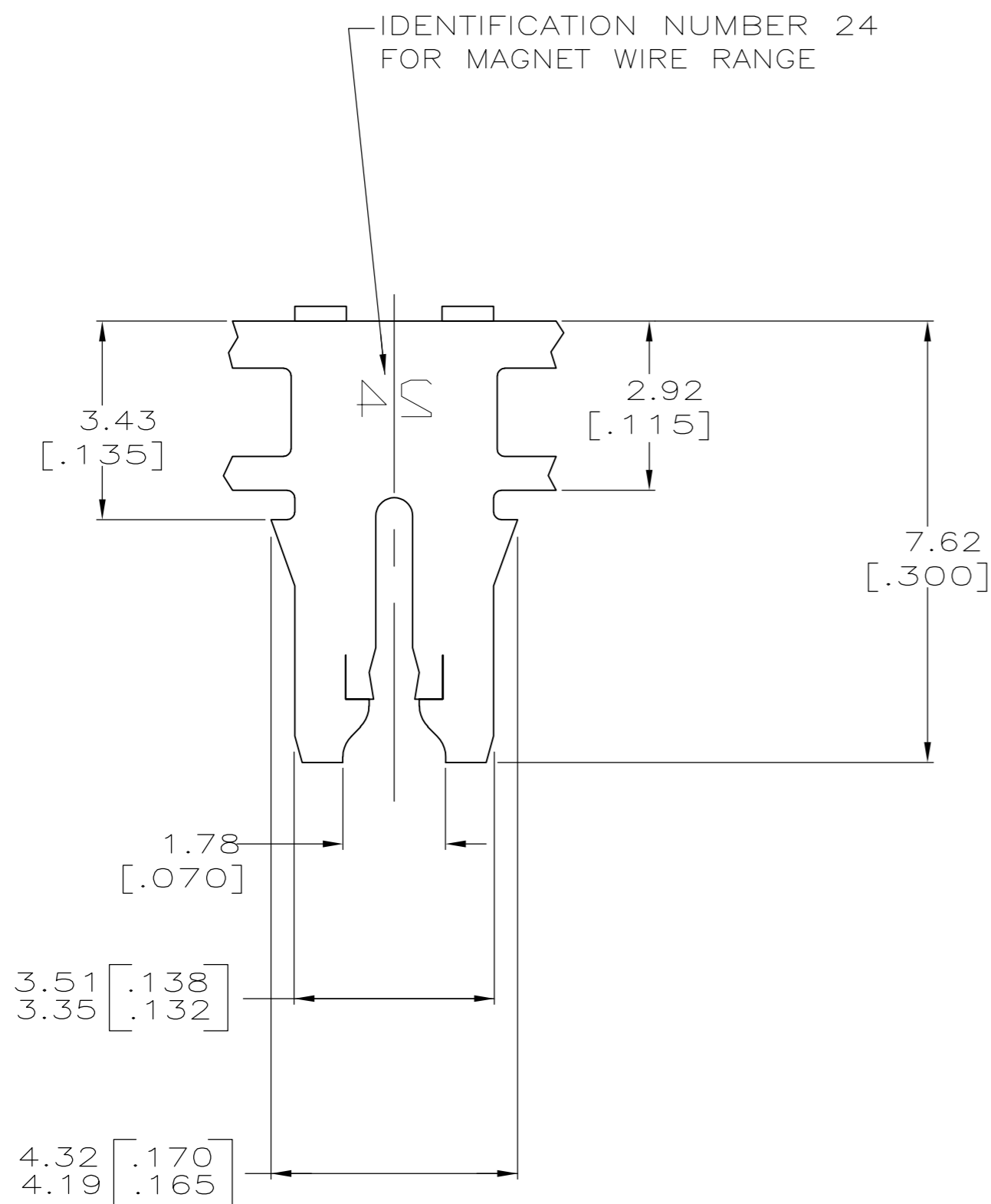


THIS DRAWING IS UNPUBLISHED. RELEASED FOR PUBLICATION
 © COPYRIGHT - By - ALL RIGHTS RESERVED.

LOC	DIST	REVISIONS			
P	LTR	DESCRIPTION	DATE	DWN	APVD
AF	50	S5	ECR-14-012050	11AUG14	PKS RRP



- 1 CONTINUOUS STRIP ON REELS WITH TERMINALS LOCATED ON 5.59±0.08 [.220±.003] CENTERS.
- 2 SLOT ACCEPTS 0.80-1.20mm [#20-#16.5] AWG COPPER MAGNET WIRE. A SINGLE WIRE ONLY.
- 3 POKE-IN ACCEPTS A 0.50-0.90mm² [#20-#18] AWG SOLID OR FUSED STRANDED LEAD WIRE.
- 4 TIN PLATED
- 5 PAPER SPLICED - RESTRICTED TO BSH GERMANY



BRASS	STANDARD	5 62833-6
PHOSPHOR BRONZE	STANDARD	62833-4
PHOSPHOR BRONZE	REVERSED	62833-3
BRASS	REVERSED	62833-2
BRASS	STANDARD	62833-1
MATERIAL	REELING	PART NO.

THIS DRAWING IS A CONTROLLED DOCUMENT.		DWN 1/SEP/94 R.R. BUCHHEISTER JR.	TE TE Connectivity	
DIMENSIONS: INCHES		CHK 02SEP94 MS FEHER		
TOLERANCES UNLESS OTHERWISE SPECIFIED:		APVD 02SEP94 MS FEHER	NAME	
0 PLC ± -		PRODUCT SPEC	108-2012	
1 PLC ± -		APPLICATION SPEC	114-2046	
2 PLC ± 0.25 [.010]		WEIGHT	SIZE A2	CAGE CODE 00779
3 PLC ± -		FINISH	DRAWING NO. C=62833	RESTRICTED TO
4 PLC ± -			SCALE 10:1	SHEET 1 of 1
ANGLES ± -			REV S5	
MATERIAL SEE TABLE			CUSTOMER DRAWING	