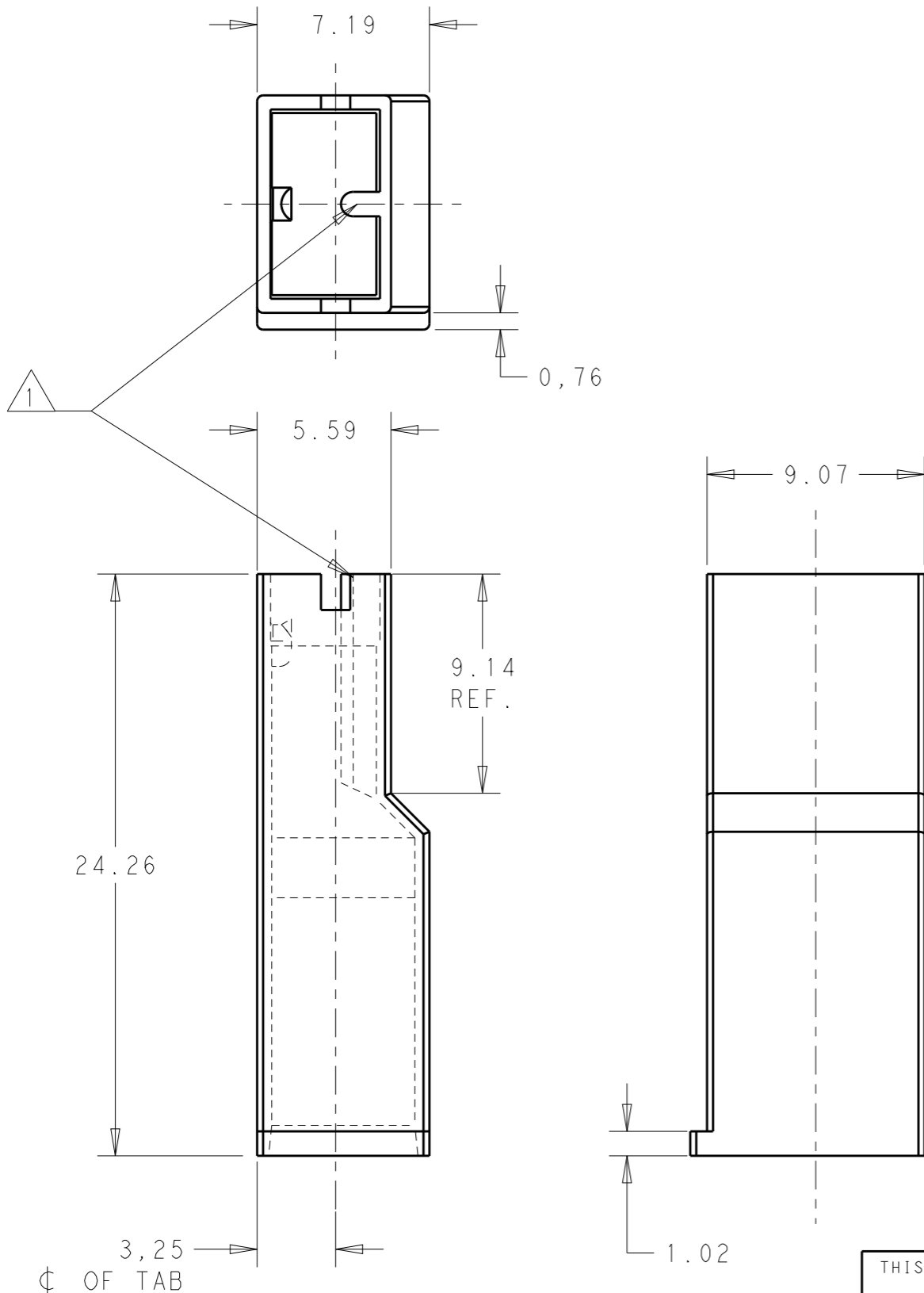



THIS DRAWING IS UNPUBLISHED. RELEASED FOR PUBLICATION 20  
 © COPYRIGHT 20 TE CONNECTIVITY ALL RIGHTS RESERVED.

LOC	DIST	REVISIONS			
P	LTR	DESCRIPTION	DATE	DWN	APVD
AP	-	A	RELEASED	14JUN2011	HC WLS
		B	REV. BY ECO-12-014195	03AUG2012	HC WLS
		B1	REV. BY ECO-15-007760	22MAI2015	HC WLS
		B2	REVISED BY ECO 16-014328	03OCT2016	HC WLS



- △1 - RIB MAY EXTEND TO FRONT OF HOUSING.
- △2 - MATERIAL: PA 6.6 ACC. TO SPEC. IEC 60335 GWT 850°C - WITHOUT FLAME.
- △3 - HEAT STABILIZED

BLACK	PA 6.6 - HB △3	1-2133341-3
NATURAL	PA 6.6 - UL94 - V0 - GWT △2	1-2133341-2
NATURAL	PA 6.6 - UL94 - V0	1-2133341-1
BLUE	PA 6.6 - UL94 - V2	2133341-6
GREEN		2133341-5
YELLOW		2133341-4
RED		2133341-3
NATURAL		2133341-2
BLACK		2133341-1
COLOR		MATERIAL

THIS DRAWING IS A CONTROLLED DOCUMENT.		DWN H.C. CANTER 25MAY2011	 TE Connectivity	
DIMENSIONS: mm		CHK W.L. STEFANI 25MAY2011		
TOLERANCES UNLESS OTHERWISE SPECIFIED:		APVD -	NAME MKI .250 POSITIVE LOCK RECEPTACLE INSULATOR MKI .250 POSITIVE LOCK	
0 PLC ±-		PRODUCT SPEC 108-3252	SIZE A3	
1 PLC ±0,5		APPLICATION SPEC 114-2153	CAGE CODE 00779	DRAWING NO 2133341
2 PLC ±0,5		WEIGHT -	RESTRICTED TO -	
3 PLC ±-		CUSTOMER DRAWING	SCALE 4/1	
4 PLC ±-			SHEET 1 OF 1	
ANGLES ±-		REV B2		
FINISH -				