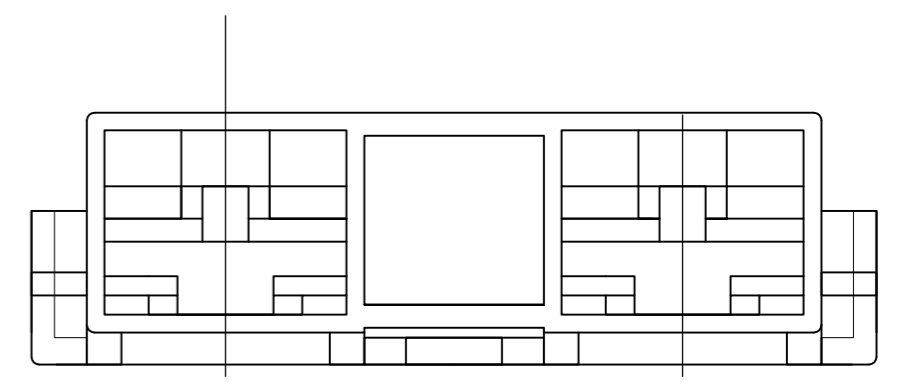
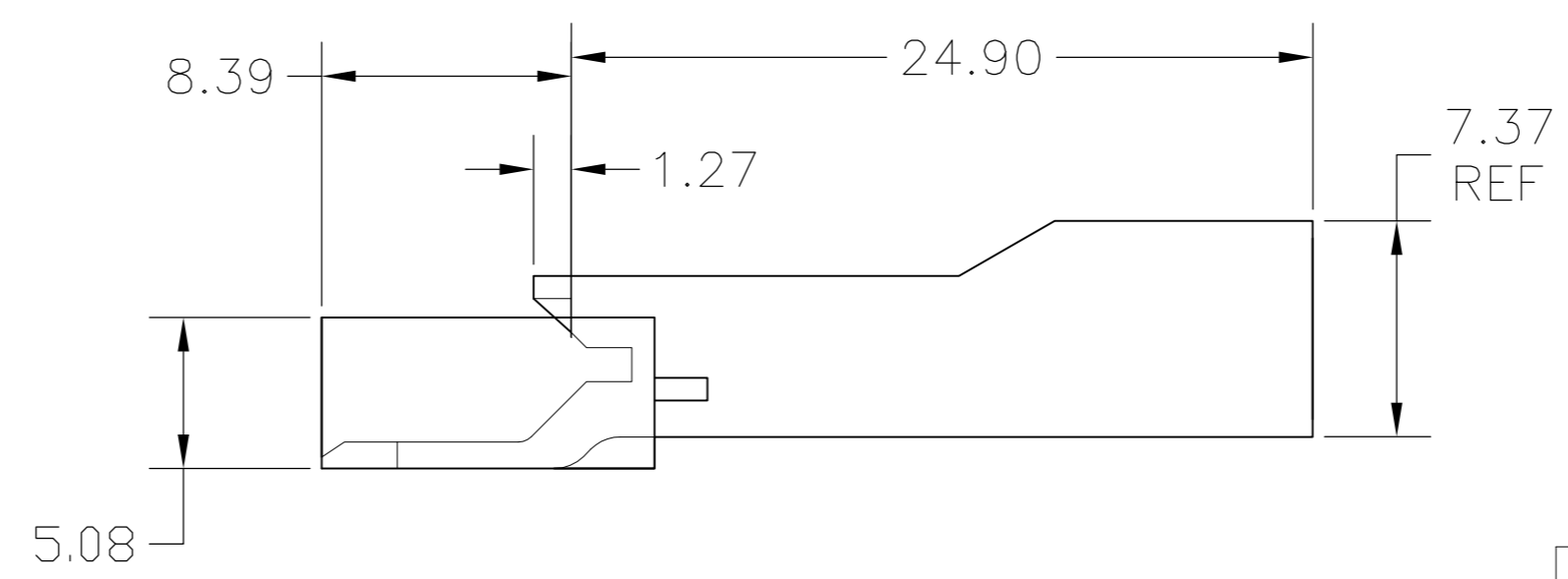
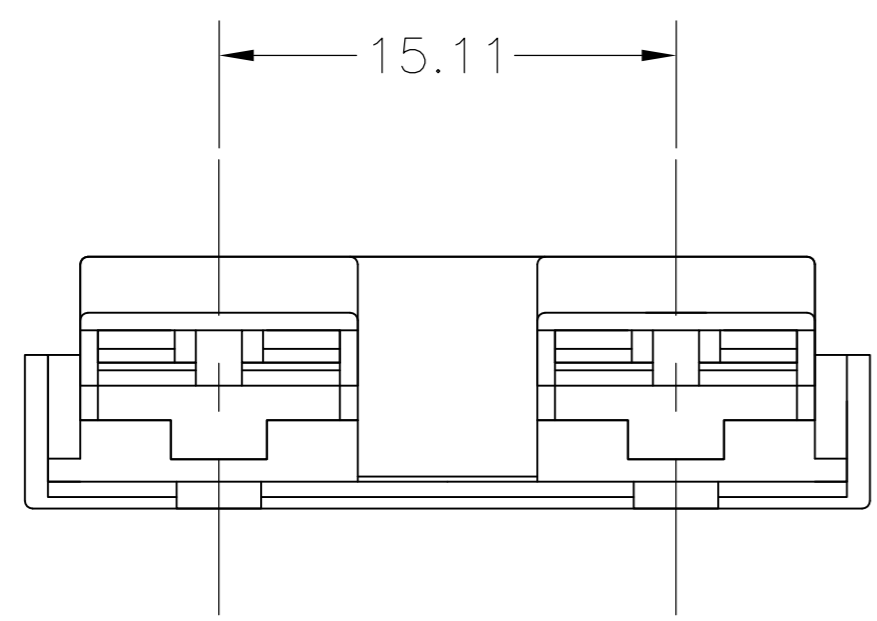
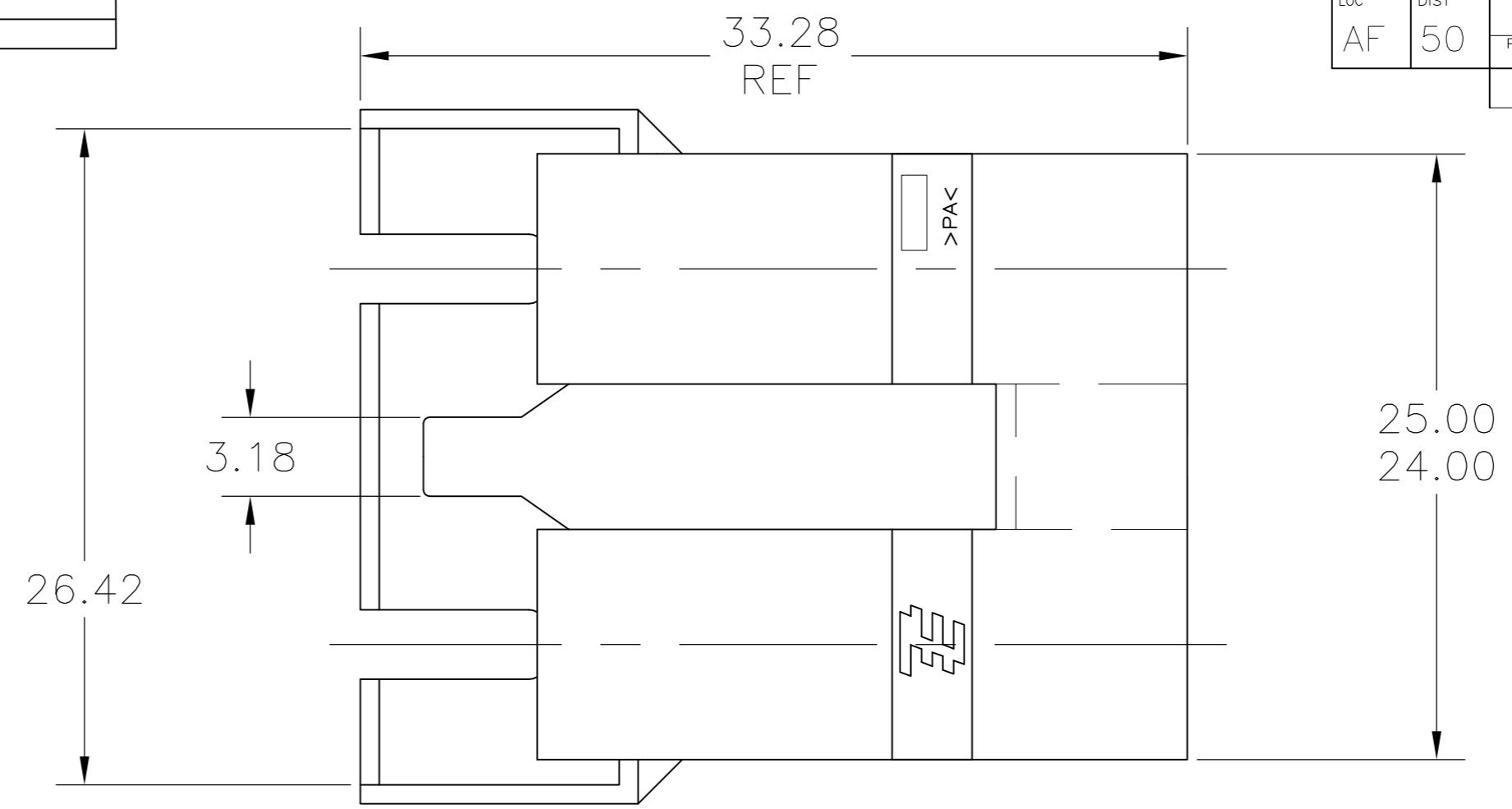
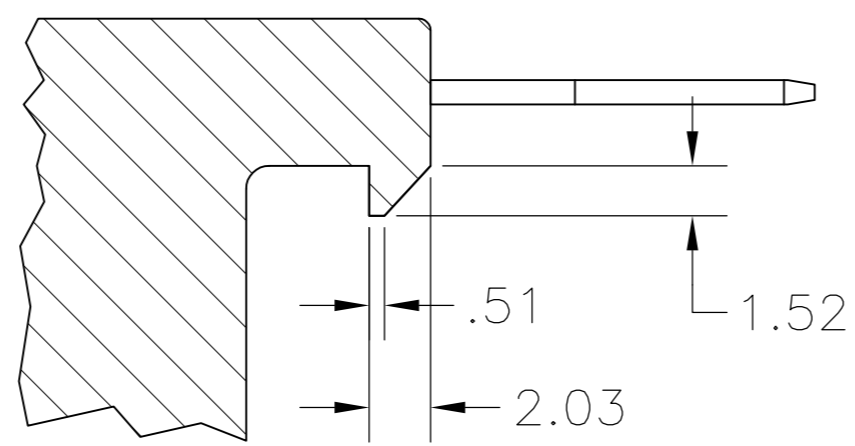


THIS DRAWING IS UNPUBLISHED. RELEASED FOR PUBLICATION  
 © COPYRIGHT BY TYCO ELECTRONICS CORPORATION. ALL RIGHTS RESERVED.

LOC		DIST		REVISIONS					
AF		50		P	LTR	DESCRIPTION	DATE	DWN	APVD
				T3		REVISED PER ECR-10-020821	20OCT10	JR	RL



- 1 THIS HOUSING ACCEPTS LOW-INSERTION, PREMIER RECEPTACLE 63306, OR POSITIVE-LOCK MKIII RECEPTACLE 63854-1.
- 2 TO MAINTAIN PROPER TERMINAL INSERTION FORCE INTO HOUSING, HOUSINGS MUST BE KEPT IN THEIR MOISTURIZED CONDITION (AS RECEIVED) PRIOR TO ASSEMBLY.
- 3 MOLDED WITH GLOW-WIRE APPROVED MATERIAL
- 4 PRELIMINARY - NOT FOR PRODUCTION
- 5 OFFERED FOR CONSIDERATION IN APPLICATIONS REQUIRING 'NON-DRIP' HOUSING MATERIAL.



PROPOSED MATING LOCKING DESIGN

6/6 NYLON, V0	PURPLE	4	3-521253-6	5
6 NYLON, V2	NATURAL	3	2-521253-1	
66/6 NYLON V0	BLUE		1-521253-7	
	PURPLE		1-521253-6	
	YELLOW		1-521253-4	
	GREEN		1-521253-3	
	RED		1-521253-2	
	NATURAL		1-521253-1	
6/6 NYLON V2	BLUE	4	521253-7	
	PURPLE	4	521253-6	
	BROWN	4	521253-5	
	YELLOW	4	521253-4	
	GREEN	4	521253-3	
	RED		521253-2	
NATURAL		521253-1		
MATERIAL	FINISH/COLOR		PART NO	

THIS DRAWING IS A CONTROLLED DOCUMENT.		DWN	JR RUTH	05JAN00	Tyco Electronics Corporation Harrisburg, PA 17105-3608
DIMENSIONS: mm		CHK	MS FEHER	05JAN00	
TOLERANCES UNLESS OTHERWISE SPECIFIED:		APVD	D BRATINA	05JAN00	
0 PLC ± - 1 PLC ± - 2 PLC ± 0.25 [.010] 3 PLC ± - 4 PLC ± - ANGLES ± -		PRODUCT SPEC			
MATERIAL SEE TABLE		FINISH			NAME HOUSING, RECEPTACLE, FASTON OR POSITIVE-LOCK, 6.35 [.250] SERIES
		WEIGHT	-		SIZE A2
		CUSTOMER DRAWING			CAGE CODE 00779
					DRAWING NO C=521253
					RESTRICTED TO -
					SCALE 4:1 SHEET 1 OF 1 REV T3