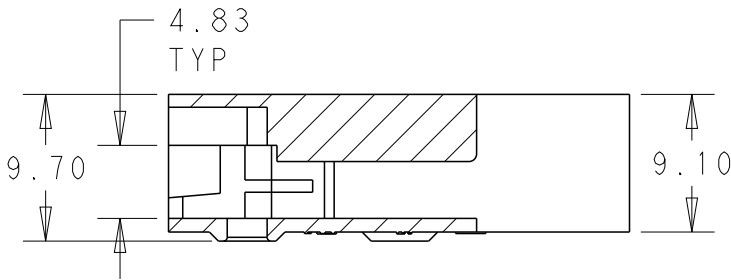
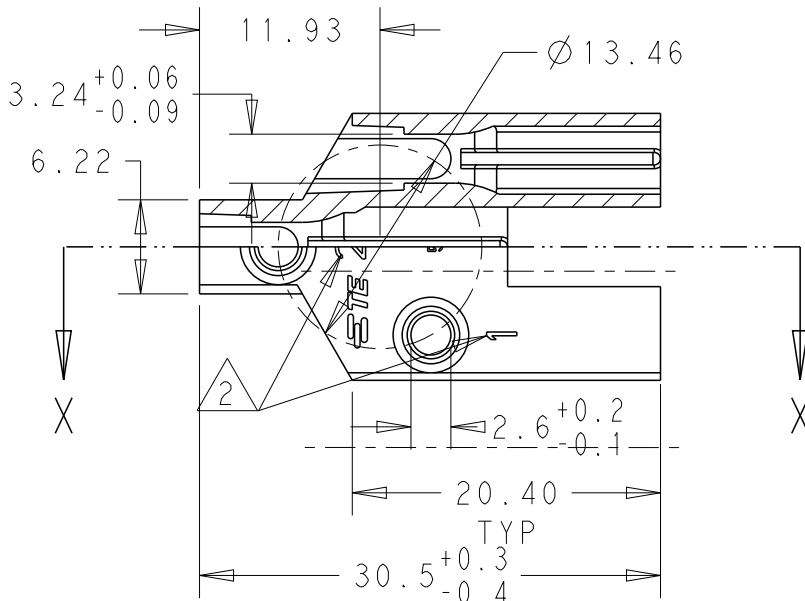
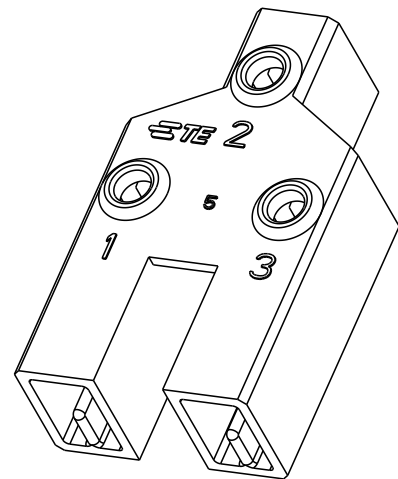


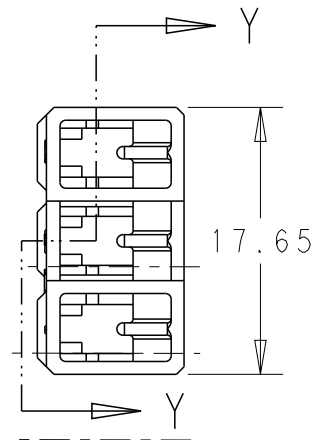
LOC	DIST	REVISIONS					
CN	-	P	LTR	DESCRIPTION	DATE	DWN	APVD
		C		REVISED AS PER ECR-16-005625	19APR2016	MKD	PKS



SECTION X - X



SECTION Y - Y



NOTES:

- ① MATERIAL CONFORM TO UL94V0 AND GWT 750 NF
- ② CIRCUIT IDENTIFICATION NUMBER

NATURAL	PA6 GF ①	2232327-2
NATURAL	PBT	2232327-1
FINISH	MATERIAL	PART NUMBER

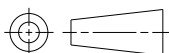
THIS DRAWING IS UNPUBLISHED. BY TE CONNECTIVITY

RELEASED FOR PUBLICATION. ALL RIGHTS RESERVED. COPYRIGHT 20

DIMENSIONS:	
mm	
TOLERANCES UNLESS OTHERWISE SPECIFIED:	
0 PLC	±-
1 PLC	±-
2 PLC	±0.3
3 PLC	±-
4 PLC	±-
ANGLES	±-

DWN	WINTER WANG	01MAR2013
CHK	JAIN LIU	01MAR2013
APVD	YUHONG MAO	01MAR2013
PRODUCT SPEC	108-2008	
APPLICATION SPEC	-	
WEIGHT	-	

MATERIAL	-		FINISH	-	
TE Connectivity					
NAME					
CLUSTER BLOCK HSG 2.29 (.090) DIA					
SIZE	CAGE CODE	DRAWING NO		RESTRICTED TO	
A4	00779	C-2232327		-	



Customer Drawing	SCALE	-	SHEET	1	OF	1	REV	C
------------------	-------	---	-------	---	----	---	-----	---