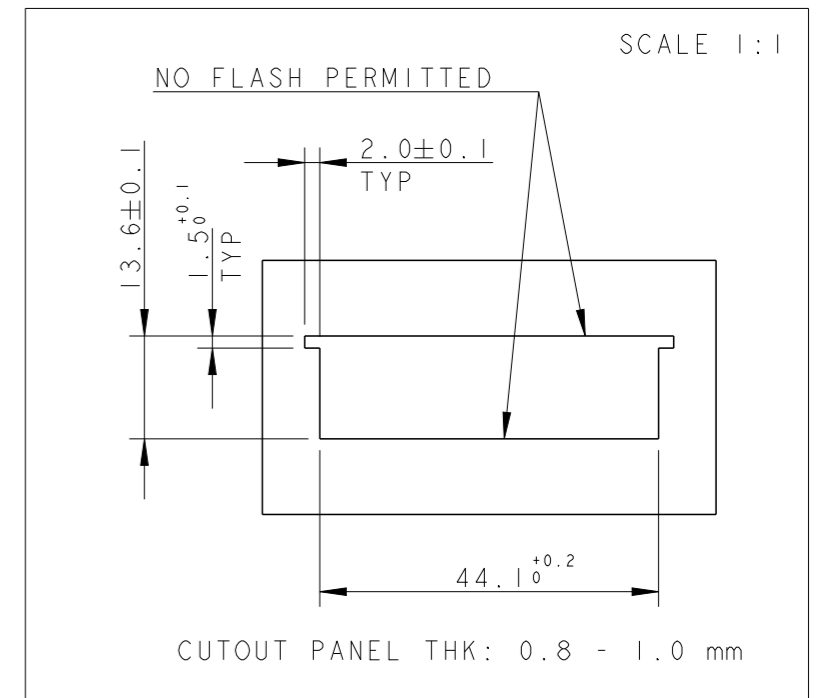
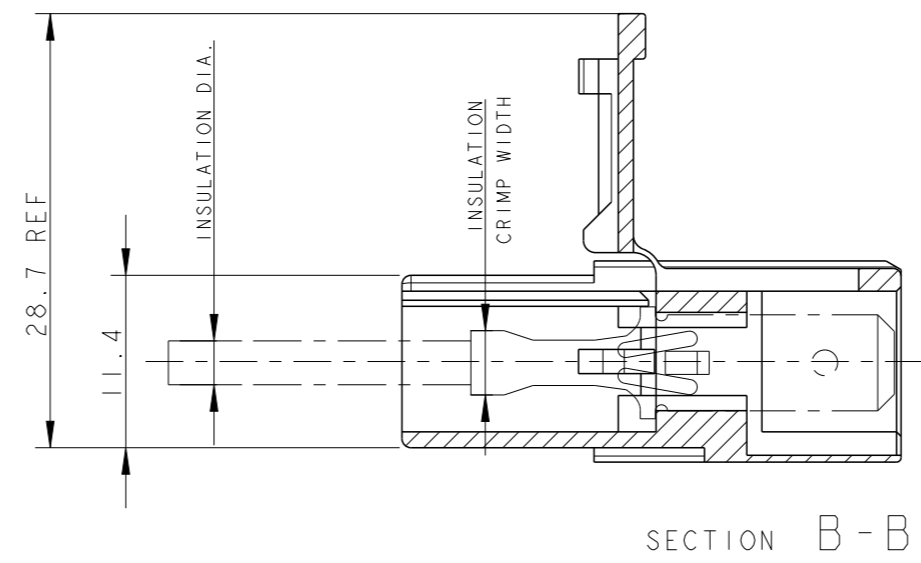
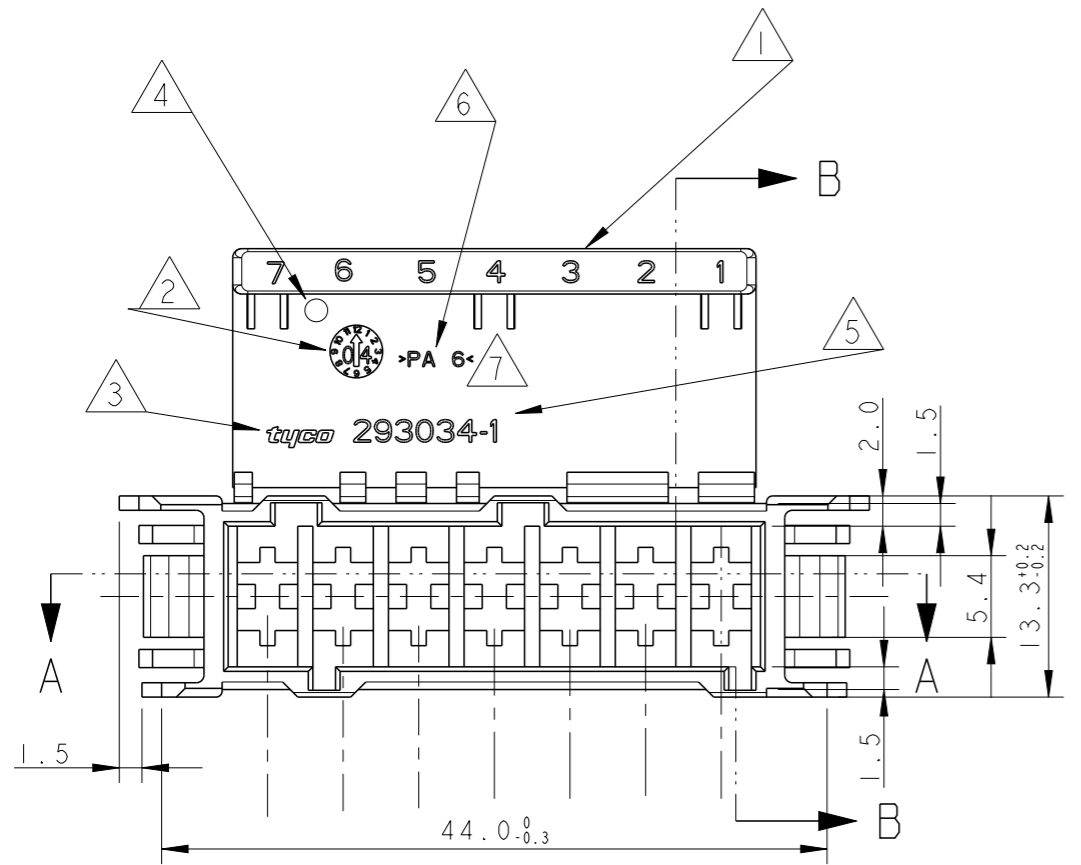


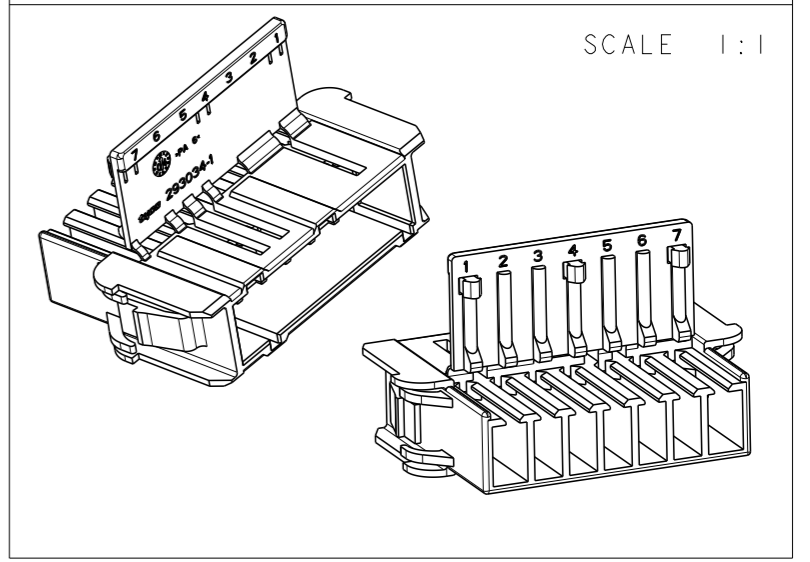
THIS DRAWING IS UNPUBLISHED. RELEASED FOR PUBLICATION 2004  
 © COPYRIGHT 2004 BY - ALL RIGHTS RESERVED.

REVISIONS					
P	LTR	DESCRIPTION	DATE	DWN	APVD
B		RELEASED, ECR-05-004319	24JUN2005	UA	GT
B1		ADDED DASH 3	9APR2008	HY	GT
B2		ECR-16-006049	29APR2016	KD	RR
B3		ECR-16-013131	19SEP2016	RS	LP

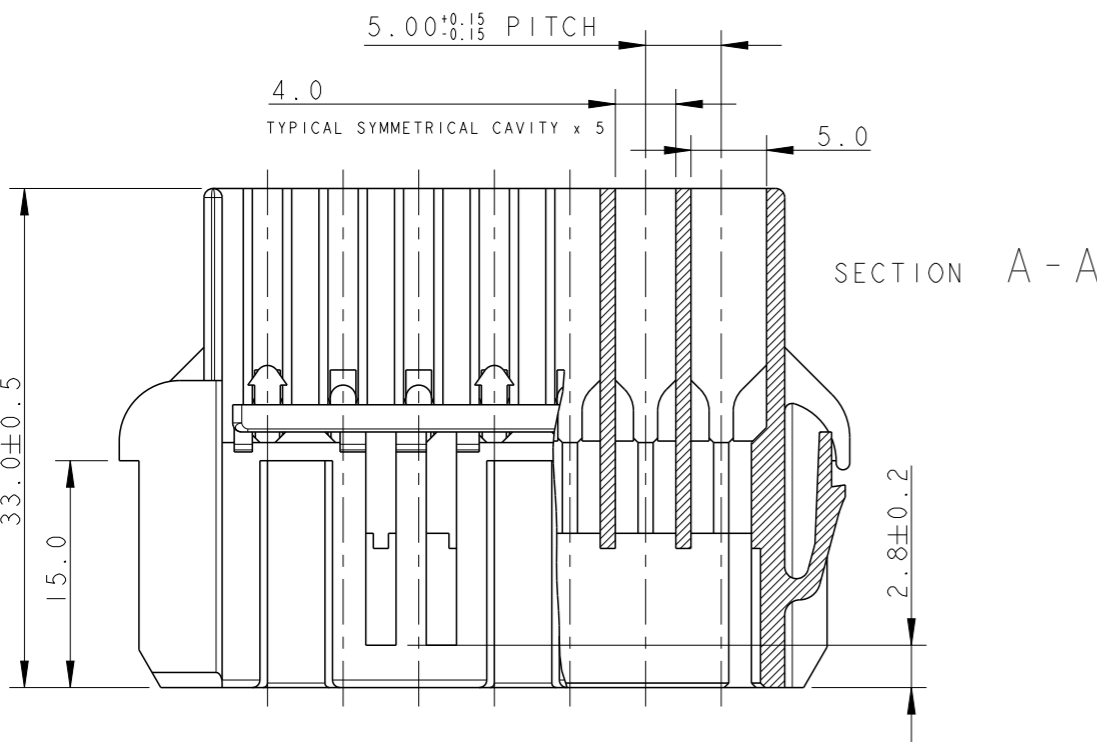


NOTES:

- 1) CIRCUIT IDENTIFICATION NUMBERS 1 TO 7, BOTH SIDES
- 2) DATE CODE
- 3) TYCO TRADEMARK
- 4) MOULD CAVITY IDENTIFICATION
- 5) TE - AMP P/N
- 6) RAW MATERIAL CODE
- 7) MATERIAL: PA6 UNFILLED UL 94-V2, NATURAL COLOR
- 8) CONNECTOR HOUSING SUITABLE FOR MATING WITH:  
 (PROPERLY CODED WITH RELEVANT APPLICATION MACHINE)  
 - AMP MONOSHAP Mark I TAB CONNECTOR, P/N 1-293004-7  
 - AMP MONOSHAP Mark II TAB CONNECTOR, P/N x-284477-2
- 9) CAVITIES SUITABLE FOR .250" SERIES FASTIN-ON TAB CONTACT  
 ACCORDING TO NORM "DIN 46 343"  
 MAX INS. DIA.: 2.8 mm; MAX INS. CRIMP WIDTH: 3.3 mm
- 10) MATERIAL: PA66 UNFILLED UL 94-V0, NATURAL COLOR
- 11) MATERIAL: PA66 UNFILLED UL 94-V0, GWT 750 NO FLAME, NATURAL COLOR
- 12) PRELIMINARY - NOT RELEASED FOR PRODUCTION



P/N 293034-1 AS SHOWN



MATERIAL	P/N	REV.
SEE NOTE 7	293034-1	B
SEE NOTE 11	293034-2	1
SEE NOTE 10	293034-3	B

THIS DRAWING IS A CONTROLLED DOCUMENT.		DWN U. AIME 17MAY2004	TE Connectivity				
DIMENSIONS: mm		CHK C. TARTARI 17MAY2004					
TOLERANCES UNLESS OTHERWISE SPECIFIED:		APVD C. TARTARI 17MAY2004	NAME 7 POSITION FASTIN-FASTON TAB HOUSING, 5 mm PITCH (PANEL MOUNT VERSION)				
0 PLC ±- 1 PLC ±0.3 2 PLC ±- 3 PLC ±- 4 PLC ±- ANGLES ±1°		PRODUCT SPEC 108-20256					
MATERIAL SEE NOTE		FINISH -	APPLICATION SPEC -	SIZE A300779	CAGE CODE C-293034	DRAWING NO	RESTRICTED TO -
		WEIGHT 8.9 g	CUSTOMER DRAWING		SCALE 2:1	SHEET 1 OF 1	REV B3