

4

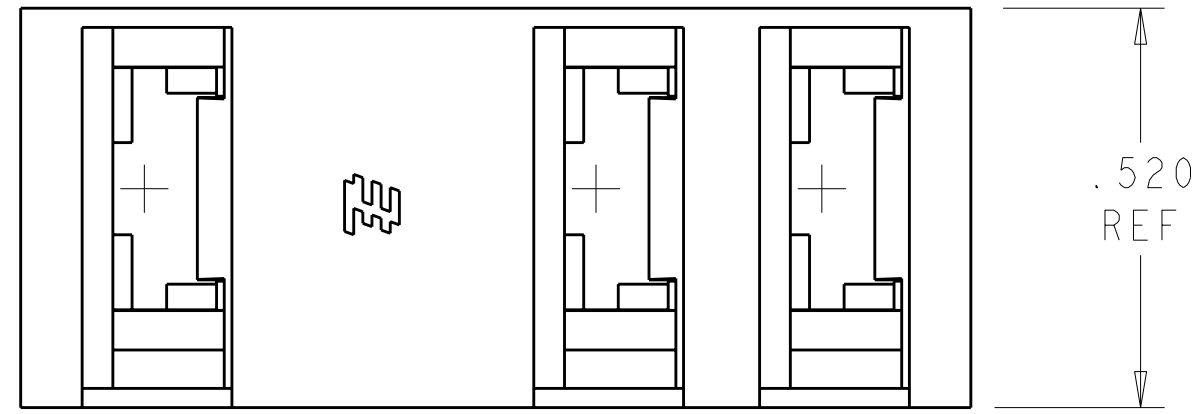
3

2

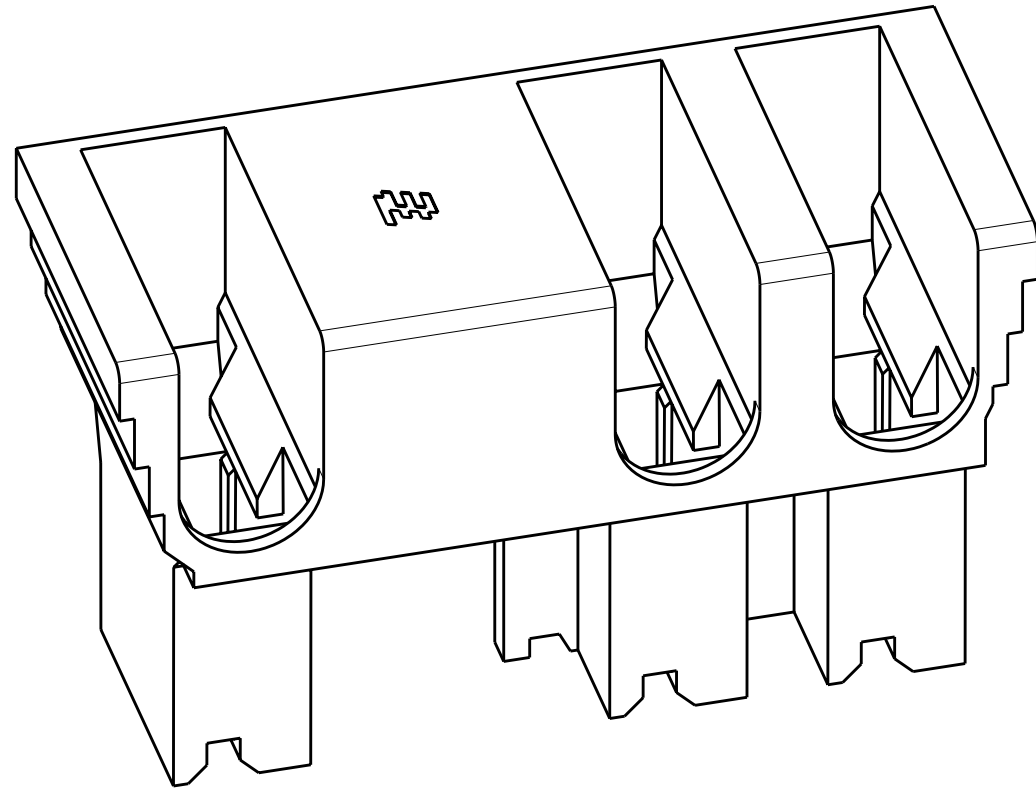
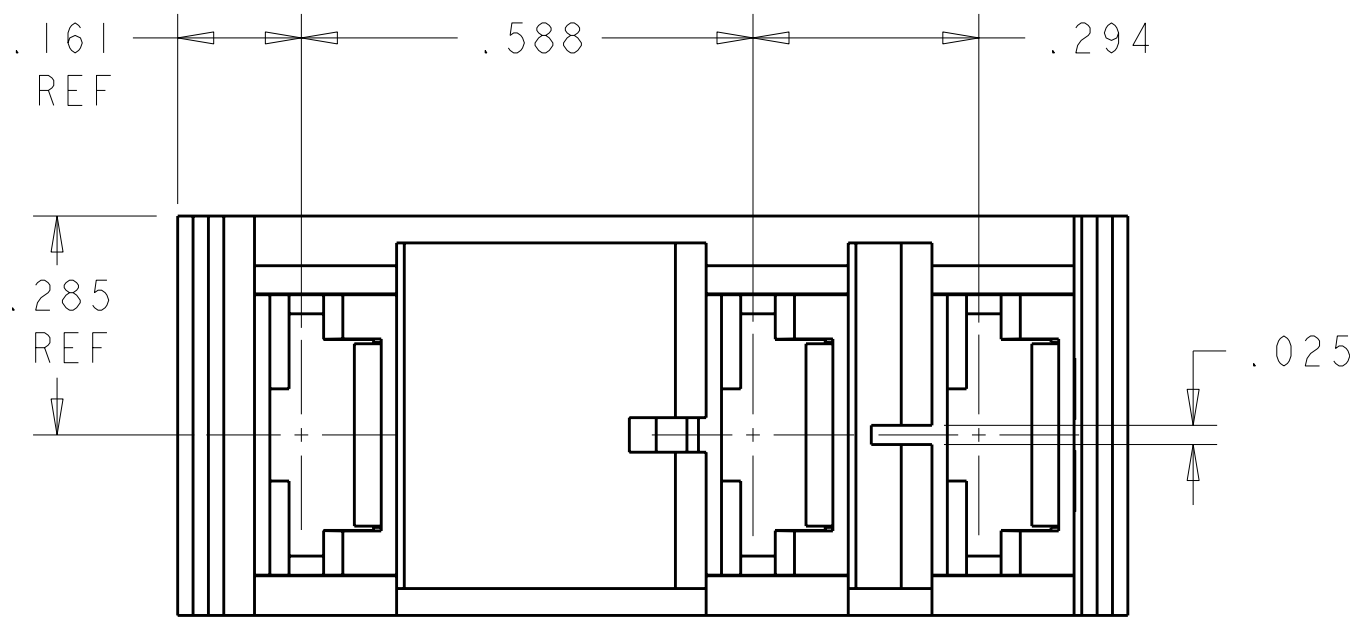
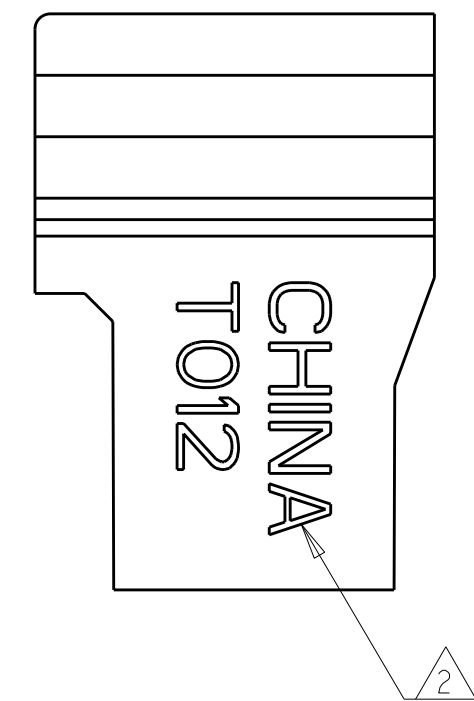
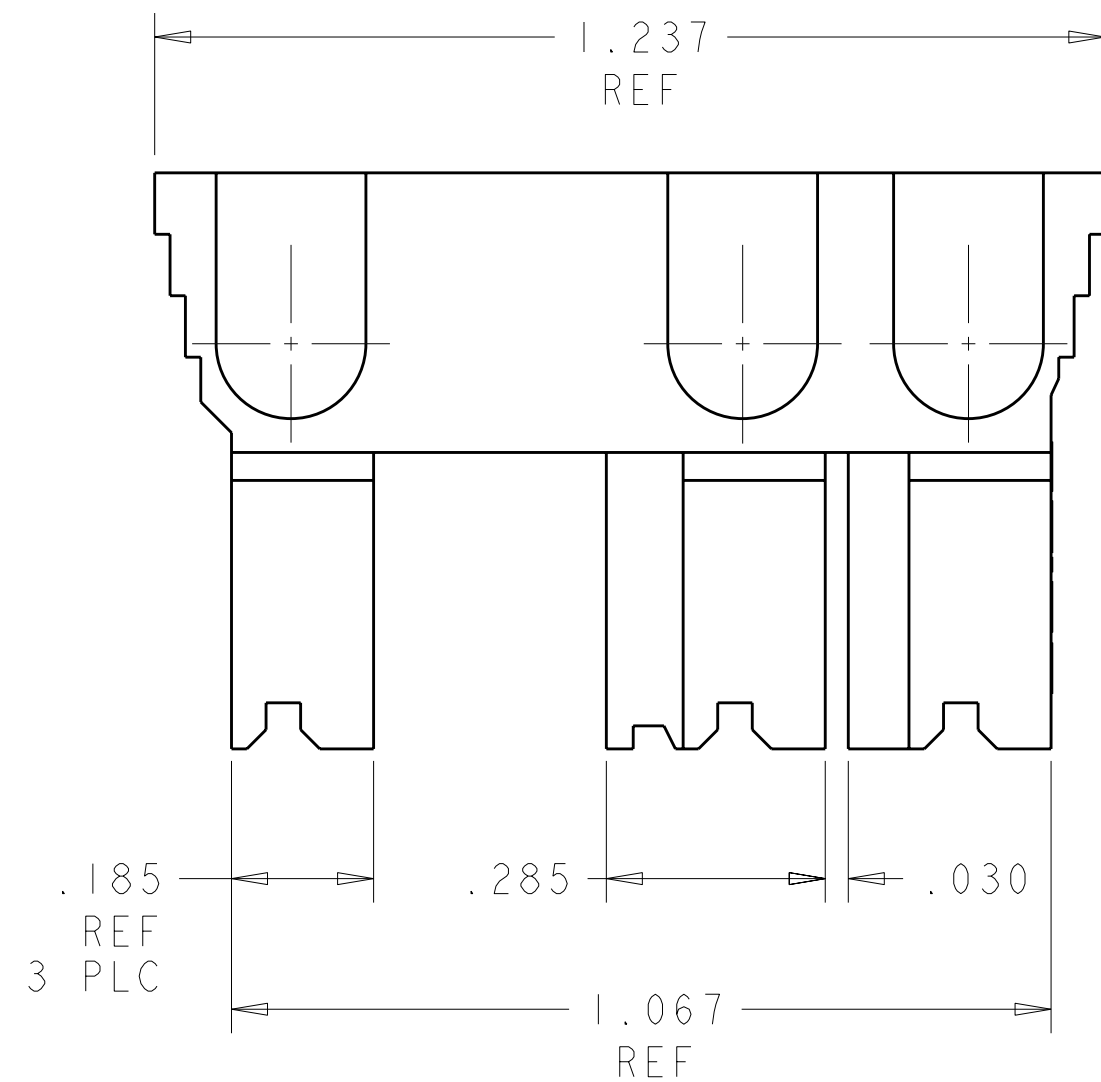
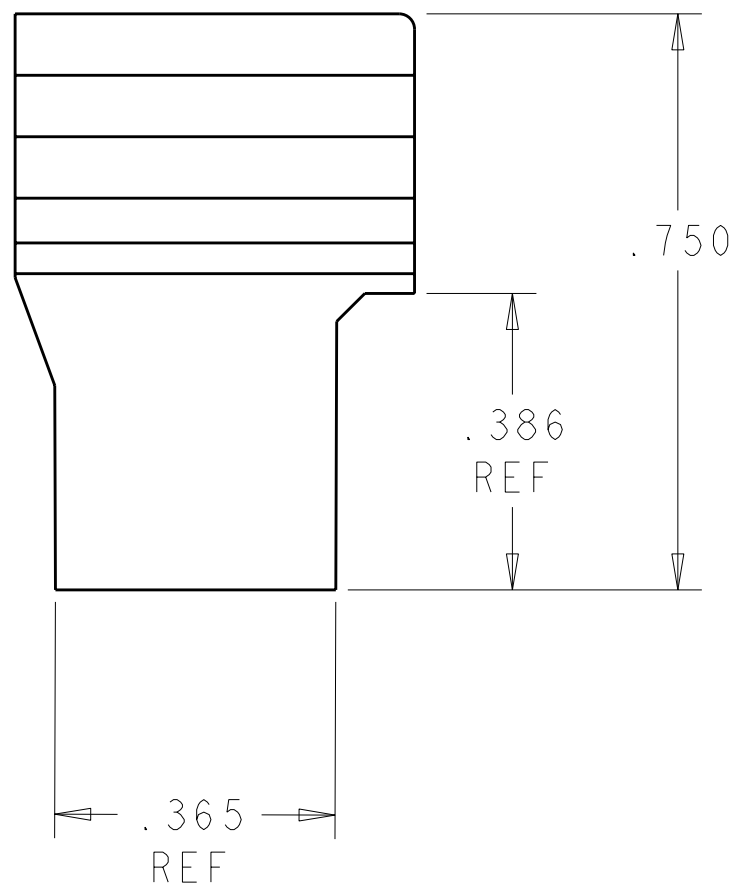
1

THIS DRAWING IS UNPUBLISHED. RELEASED FOR PUBLICATION 20
 © COPYRIGHT 20 BY TYCO ELECTRONICS CORPORATION. ALL RIGHTS RESERVED.

LOC	DIST	REVISIONS			
P	LTR	DESCRIPTION	DATE	DWN	APVD
AF	50	RI	REVISED PER ECR-10-021735	26OCT10	JR PD



1. FOR USE WITH TE TERMINALS 63445-1 AND 63445-2
 2. COUNTRY OF ORIGIN AND VENDOR CODE.



BLACK	6/6 NYLON	521662-1
COLOR	MATERIAL	PART NUMBER

<small>THIS DRAWING IS A CONTROLLED DOCUMENT FOR TYCO ELECTRONICS CORPORATION. IT IS SUBJECT TO CHANGE AND THE CONTROLLING ENGINEERING ORGANIZATION SHOULD BE CONTACTED FOR THE LATEST REVISION.</small>		DWN R FLAIG 20AUG2003 CHK P. DESANTIS 20AUG2003 APVD P. DESANTIS 20AUG2003	Tyco Electronics Harrisburg, PA 17105-3608
DIMENSIONS: INCHES 	TOLERANCES UNLESS OTHERWISE SPECIFIED: 0 PLC ± 1 PLC ± 2 PLC ± 3 PLC ±.010 4 PLC ± ANGLES ±2° FINISH	PRODUCT SPEC APPLICATION SPEC WEIGHT	NAME HOUSING, RECEP, FASTON, FLAG, .250 SERIES SIZE A2 CAGE CODE 00779 DRAWING NO C-521662 RESTRICTED TO
SEE TABLE	CUSTOMER DRAWING	SCALE 4:1	SHEET 1 OF 1 REV RI