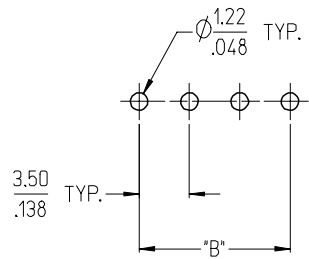
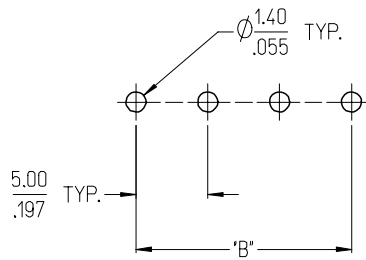


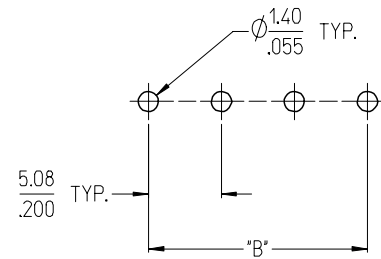
3950X SERIES
3.50mm HEADERS



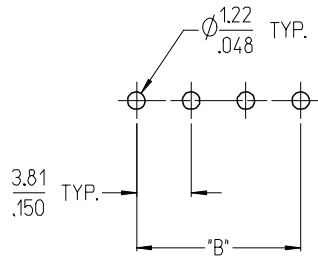
3952X & 3954X SERIES
5.00mm HEADERS
5.00mm 10 AMP FIXED



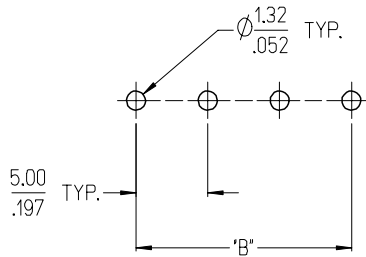
3953X SERIES
5.08mm HEADERS



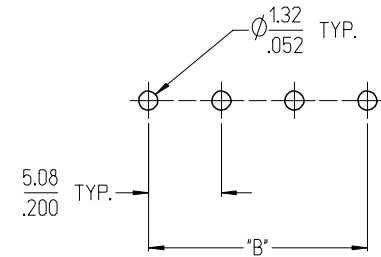
3951X SERIES
3.81mm HEADERS



3954X SERIES
5.00mm 15 AMP FIXED



3954X SERIES
5.08mm 15 AMP FIXED



NOTES:

- REFER TO INDIVIDUAL PRODUCT SALES DRAWINGS FOR "B" DIMENSION.
- DOES NOT APPLY TO DUAL LEVEL HEADERS, SERIES 39528 AND 39538.
- TYP. = TYPICAL.

INITIAL RELEASE
EC NO: ETC2007-0096
DRW: CLYORK 2006/10/02
CHKD: JMACNEIL 2006/10/04
APPR: JMACNEIL 2006/10/04

| REV | DESCRIPTION |
|-----|-------------|
| A | |

| | QUALITY SYMBOLS | |
|---------------|-----------------|--------|
| | mm | INCH |
| 4 PLACES | ± .005 | ± .005 |
| 3 PLACES | ± .010 | ± .005 |
| 2 PLACES | ± 0.13 | ± .01 |
| 1 PLACE | ± 0.3 | ± .01 |
| ANGULAR ± 2 ° | | |

| GENERAL TOLERANCES (UNLESS SPECIFIED) | |
|---------------------------------------|------|
| mm | INCH |

| DIMENSION STYLE | | SCALE | DESIGN UNITS | THIRD ANGLE PROJECTION |
|-----------------|------------|---|--------------|------------------------|
| MM/IN | | 3:1 | INCH | |
| DRAWN BY | DATE | TITLE | | |
| C. YORK | 2006/08/25 | RECOMMENDED PCB LAYOUT FOR ESE TERMINAL BLOCKS | | |
| CHECKED BY | DATE | MOLEX INCORPORATED | | |
| J. MACNEIL | 2006/08/25 | SD-39501-002 | | |
| APPROVED BY | DATE | SHEET NO. | | |
| J. MACNEIL | 2006/08/25 | 1 OF 1 | | |
| MATERIAL NO. | --- | THIS DRAWING CONTAINS INFORMATION THAT IS PROPRIETARY TO MOLEX INCORPORATED AND SHOULD NOT BE USED WITHOUT WRITTEN PERMISSION | | |

10 9 8 7 6 5 4 3 2 1

F

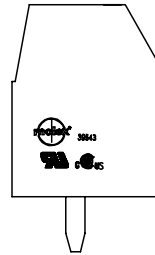
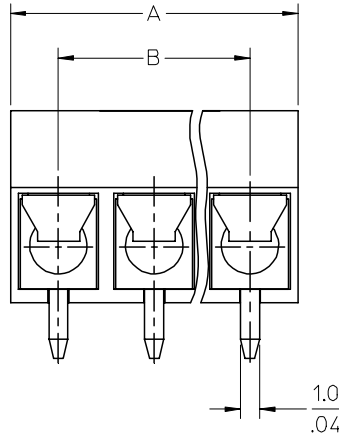
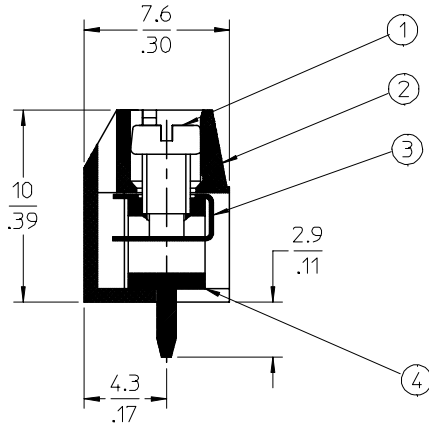
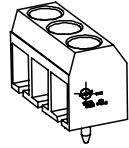
E

D

C

B

A



- SPECIFICATIONS:**
- Materials:
 - Screw: C1010.
 - Body: PA66
 - Wire Protector: Brass
 - Terminal: Brass
 - Wire range: 22 - 14AWG.
 - Electrical rating: 300V, 10A.
 - MAX TORQUE: 3 In-lbs.
 - Wire strip length: 6mm.
 - Dielectric withstands: AC2500V for 1 minute.
 - Breakdown voltage: 4000v(12/50us), 5 times.
 - Insulation resistance: DC500V, 500M.
 - Operating temperature: -40C to +105C.
 - A = N x P.
 - B = (N - 1) x P
 - P = (Pitch) = 5.00MM (.197").
 - N = Number of positions available 2 through 24.

| | | | | | | | | |
|--|----------------------|---|---------------------------------------|------------------|---|------------------------------|----------------------|------------------------|
| ENTER DESCRIPTION EC NO: NEO2006-0310 DRWNL: LROTHAUS 2006/01/09 CHKD: CYORK 2006/01/09 APPR: JPAMLIK 2006/01/10 | DESCRIPTION REV A | QUALITY SYMBOLS ▽=0 ▽=0 | GENERAL TOLERANCES (UNLESS SPECIFIED) | | DIMENSION STYLE MM/IN | SCALE 4:1 | DESIGN UNITS INCH | THIRD ANGLE PROJECTION |
| | | 4 PLACES ± --- ±.0015 3 PLACES ±0.038 ±.005 2 PLACES ±0.13 ±.01 1 PLACE ±0.3 ± --- | DRAWN BY LROTHAUS | DATE 12/6/05 | TITLE 5.0MM, EURO TERM BLOCK VERTICAL, PC MOUNT, LOW PROFILE | | | |
| | | ANGULAR ± 2 ° | CHECKED BY C. YORK | DATE 01/06/06 | MOLEX INCORPORATED | | | |
| | | DRAFT WHERE APPLICABLE MUST REMAIN WITHIN DIMENSIONS | APPROVED BY SEE CHART | DATE | MATERIAL NO. SEE CHART | DOCUMENT NO. SD-39543-004 | SHEET NO. 1 OF 1 | |

9 8 7 6 5 4 3 2 1

10 9 8 7 6 5 4 3 2 1

| Description | Circuit size | Material Numbers | | | | | | Dimensional Information | | | |
|--|--------------|------------------|-----------|-----------|------------------|-----------|-----------|-------------------------|-------|--------|-------|
| | | Black | | | Green | | | | | | |
| | | 100% Tin | | | 100% Tin | | | | | | |
| | | Printing Options | | | Printing Options | | | Dim. A | | Dim B | |
| None | 10A | 11A | None | 10A | 11A | mm | inch | mm | inch | | |
| 5.0mm, Euro Block, PC Mount, Vertical, Low Profile | 2 | 395430602 | 395431602 | 395432602 | 395930602 | 395931602 | 395932602 | 10.00 | 0.394 | 5.00 | 0.197 |
| 5.0mm, Euro Block, PC Mount, Vertical, Low Profile | 3 | 395430603 | 395431603 | 395432603 | 395930603 | 395931603 | 395932603 | 15.00 | 0.591 | 10.00 | 0.394 |
| 5.0mm, Euro Block, PC Mount, Vertical, Low Profile | 4 | 395430604 | 395431604 | 395432604 | 395930604 | 395931604 | 395932604 | 20.00 | 0.787 | 15.00 | 0.591 |
| 5.0mm, Euro Block, PC Mount, Vertical, Low Profile | 5 | 395430605 | 395431605 | 395432605 | 395930605 | 395931605 | 395932605 | 25.00 | 0.984 | 20.00 | 0.787 |
| 5.0mm, Euro Block, PC Mount, Vertical, Low Profile | 6 | 395430606 | 395431606 | 395432606 | 395930606 | 395931606 | 395932606 | 30.00 | 1.181 | 25.00 | 0.984 |
| 5.0mm, Euro Block, PC Mount, Vertical, Low Profile | 7 | 395430607 | 395431607 | 395432607 | 395930607 | 395931607 | 395932607 | 35.00 | 1.378 | 30.00 | 1.181 |
| 5.0mm, Euro Block, PC Mount, Vertical, Low Profile | 8 | 395430608 | 395431608 | 395432608 | 395930608 | 395931608 | 395932608 | 40.00 | 1.575 | 35.00 | 1.378 |
| 5.0mm, Euro Block, PC Mount, Vertical, Low Profile | 9 | 395430609 | 395431609 | 395432609 | 395930609 | 395931609 | 395932609 | 45.00 | 1.772 | 40.00 | 1.575 |
| 5.0mm, Euro Block, PC Mount, Vertical, Low Profile | 10 | 395430610 | 395431610 | 395432610 | 395930610 | 395931610 | 395932610 | 50.00 | 1.969 | 45.00 | 1.772 |
| 5.0mm, Euro Block, PC Mount, Vertical, Low Profile | 11 | 395430611 | 395431611 | 395432611 | 395930611 | 395931611 | 395932611 | 55.00 | 2.165 | 50.00 | 1.969 |
| 5.0mm, Euro Block, PC Mount, Vertical, Low Profile | 12 | 395430612 | 395431612 | 395432612 | 395930612 | 395931612 | 395932612 | 60.00 | 2.362 | 55.00 | 2.165 |
| 5.0mm, Euro Block, PC Mount, Vertical, Low Profile | 13 | 395430613 | 395431613 | 395432613 | 395930613 | 395931613 | 395932613 | 65.00 | 2.559 | 60.00 | 2.362 |
| 5.0mm, Euro Block, PC Mount, Vertical, Low Profile | 14 | 395430614 | 395431614 | 395432614 | 395930614 | 395931614 | 395932614 | 70.00 | 2.756 | 65.00 | 2.559 |
| 5.0mm, Euro Block, PC Mount, Vertical, Low Profile | 15 | 395430615 | 395431615 | 395432615 | 395930615 | 395931615 | 395932615 | 75.00 | 2.953 | 70.00 | 2.756 |
| 5.0mm, Euro Block, PC Mount, Vertical, Low Profile | 16 | 395430616 | 395431616 | 395432616 | 395930616 | 395931616 | 395932616 | 80.00 | 3.150 | 75.00 | 2.953 |
| 5.0mm, Euro Block, PC Mount, Vertical, Low Profile | 17 | 395430617 | 395431617 | 395432617 | 395930617 | 395931617 | 395932617 | 85.00 | 3.346 | 80.00 | 3.150 |
| 5.0mm, Euro Block, PC Mount, Vertical, Low Profile | 18 | 395430618 | 395431618 | 395432618 | 395930618 | 395931618 | 395932618 | 90.00 | 3.543 | 85.00 | 3.346 |
| 5.0mm, Euro Block, PC Mount, Vertical, Low Profile | 19 | 395430619 | 395431619 | 395432619 | 395930619 | 395931619 | 395932619 | 95.00 | 3.740 | 90.00 | 3.543 |
| 5.0mm, Euro Block, PC Mount, Vertical, Low Profile | 20 | 395430620 | 395431620 | 395432620 | 395930620 | 395931620 | 395932620 | 100.00 | 3.937 | 95.00 | 3.740 |
| 5.0mm, Euro Block, PC Mount, Vertical, Low Profile | 21 | 395430621 | 395431621 | 395432621 | 395930621 | 395931621 | 395932621 | 105.00 | 4.134 | 100.00 | 3.937 |
| 5.0mm, Euro Block, PC Mount, Vertical, Low Profile | 22 | 395430622 | 395431622 | 395432622 | 395930622 | 395931622 | 395932622 | 110.00 | 4.331 | 105.00 | 4.134 |
| 5.0mm, Euro Block, PC Mount, Vertical, Low Profile | 23 | 395430623 | 395431623 | 395432623 | 395930623 | 395931623 | 395932623 | 115.00 | 4.528 | 110.00 | 4.331 |
| 5.0mm, Euro Block, PC Mount, Vertical, Low Profile | 24 | 395430624 | 395431624 | 395432624 | 395930624 | 395931624 | 395932624 | 120.00 | 4.724 | 115.00 | 4.528 |

| | | | | | | | | |
|---|-------------------------------|---------------------------------------|-----------------------|------------------------------|------------------|--|----------------------|------------------------|
| SEE PAGE 1 EC NO: NEC2006-0310 DRWNL: LROTHAUS 2006/01/09 CHKDC: CYORK 2006/01/09 APPR: JPAWLICK 2006/01/10 | QUALITY SYMBOLS ▽=0 ▽=0 | GENERAL TOLERANCES (UNLESS SPECIFIED) | | DIMENSION STYLE MM/IN | | SCALE 4:1 | DESIGN UNITS INCH | THIRD ANGLE PROJECTION |
| | | 4 PLACES ± --- ±.0015 | 3 PLACES ±0.038 ±.005 | DRAWN BY LROTHAUS | DATE 12/6/05 | TITLE 5.0MM, EURO TERM. BLOCK VERTICAL, PC MOUNT, LOW PROFILE | | |
| | | 2 PLACES ±0.13 ±.01 | 1 PLACE ±0.3 ± --- | CHECKED BY C. YORK | DATE 01/05/06 | | | |
| | | ANGULAR ± 2 ° | | APPROVED BY DATE | | MOLEX INCORPORATED | | |
| DRAFT WHERE APPLICABLE MUST REMAIN WITHIN DIMENSIONS | | MATERIAL NO. SEE CHART | | DOCUMENT NO. SD-39543-004 | | SHEET NO. 2 OF 2 | | |
| THIS DRAWING CONTAINS INFORMATION THAT IS PROPRIETARY TO MOLEX INCORPORATED AND SHOULD NOT BE USED WITHOUT WRITTEN PERMISSION | | | | | | | | |

9 8 7 6 5 4 3 2 1