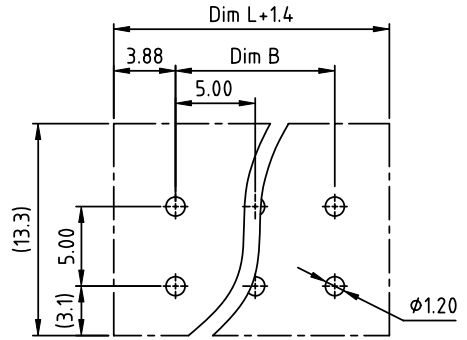
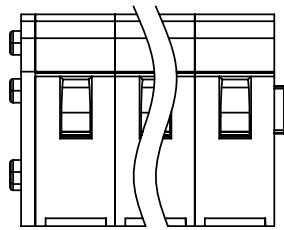
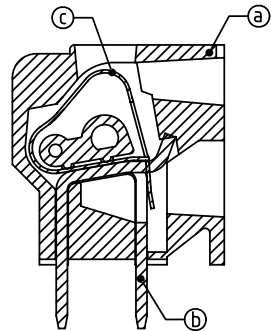


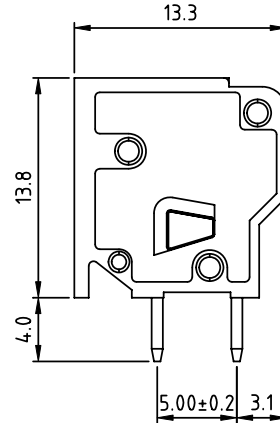
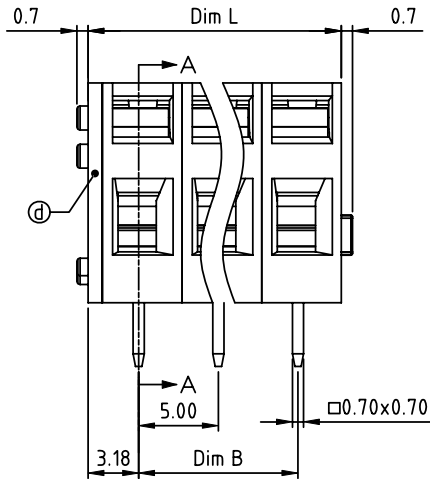
PRODUCT NUMBER	PITCH
HHxx00x000JOG	5.00mm



RECOMMENDED P.C.B LAYOUT  
TOP VIEW



SECTION A-A



Material:

- Item①Terminal housing: Thermoplastic (UL94V-0)
- Item②Solder Pin: Brass Tin plated
- Item③Spring clamp: Stainless steel
- Item④Terminal Cover: Thermoplastic (UL94V-0)

Electrical:

- Voltage rating: 300 V
- Current rating: 15A
- Wire range:
- Solid wire(AWG): 14-28
- Stranded wire(AWG): 14-28
- Wire strip length: 6-7 mm
- Withstanding Voltage: 1.6KV
- Operating temperature: -40°C to +115°C
- Soldering temperature: 260°C±5°C/5 Sec
- Safety Approval:

N=Number of poles  
Dim L=N×5.0+0.9  
Dim B=(N-1)×5.0

Poles	Dim L	Dim B
2-6p	±0.20	±0.15
7-12p	±0.30	±0.25
13-18p	±0.40	±0.35
19-24p	±0.45	±0.40

PART NO.: HH xx 00 x 000JOG

No. of poles	Color	RoHS compliant
0	Black (RAL9005)	(lead<4%)
2	Red (RAL3001/D)	In copper Alloy
02 2 poles	3 Orange(RAL2011/P)	
03 3 poles	4 Yellow(RAL1018/A)	
...	5 Green(RAL6018/T)	
24 24 poles	6 Blue (RAL5015/A)	
	8 Grey(RAL7004/P)	
	9 White(RAL1102)	
	C Multiple colors	

mat'l. code		surface ASME Y14.5	tolerance ASME Y14.5	projection	product family
ltr ecn no dr date		tolerances unless otherwise specified			TERMINAL BLOCK
angles		X.±0.5		MM	title
X°±1'		X.X±0.3			TERMINAL BLOCK
		X.XX±0.1		scale	SPRING CLAMP,180D WIRE INLET
dr	EVIN ZHONG	052914			dwg no
enr	EVIN ZHONG	052914			sheet 1 of 1
chr	HANKE FENG	052914			size
appd	SHI JUN	052914			A4
sheet index	revision sheet	A			type
		1			CUSTOMER Drawing