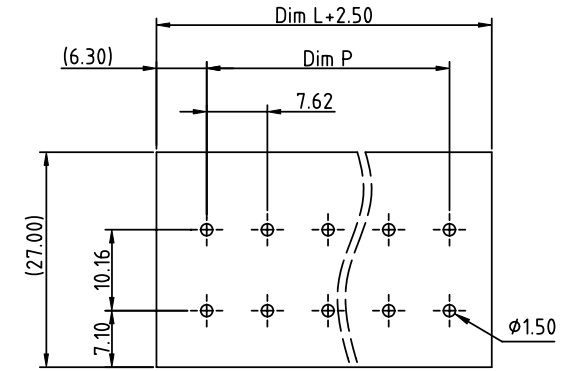
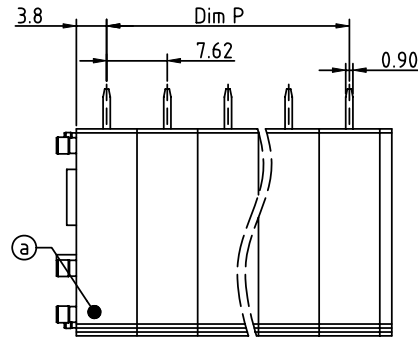


PRODUCT NUMBER	PITCH
KHxx15x000J0G	7.62 mm



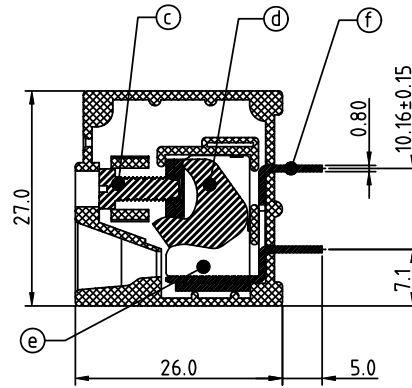
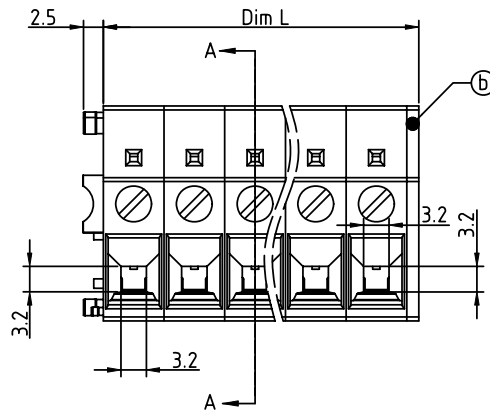
RECOMMENDED P.C.B LAYOUT

Material

- Item a Terminal body: Thermoplastic (UL94V-0)
- Item b Terminal cover: Thermoplastic (UL94V-0)
- Item c Terminal screw: Steel Zinc plating "-" slot type
- Item d Firm wire chunk: Steel, Zinc plated
- Item e Terminal body(metal housing): Zinc plating
- Item f Solder pin: Copper, Tin plated

Electrical

- Voltage rating: 300VAC
- Current rating: 30A
- Wire range:
- Solid wire(AWG): 10-24
- Stranded wire(AWG): 10-24
- Torque(Lb-In): 4.3
- Screw: M3
- Wire strip length: 15-16mm
- Withstanding Voltage: 1.6KV
- Operating temperature: -40°C to +115°C
- Soldering temperature: 260°C±5°C/5 Sec
- Safety Approval:



SECTION A-A

N = Number of poles
 Dim L = N x 7.62 + 1.5
 Dim P = (N-1) x 7.62

poles	Dim L	Dim P
1p	±0.10	±0.10
2-4p	±0.25	±0.20
5-7p	±0.30	±0.25
8-11p	±0.35	±0.30
12-16p	±0.40	±0.35

PART NO.: KH xx15 x 0 00J0 G

End stackable	Body Color	RoHS compliant
No. of poles	0 Black (RAL9005)	(lead<4%)
01 1 pole	2 Red (RAL3001/D)	In copper Alloy
02 2 poles	3 Orange(RAL2011/P)	
...	4 Yellow(RAL1018/A)	
16 16 poles	5 Green(RAL6018/T)	
	6 Blue (RAL5015/A)	
	8 Grey(RAL7035/D)	
	9 White(RAL1102)	
	C Green(RAL6018/U)	

mat'l. code				surface ASME Y14.5	tolerance ASME Y14.5	projection 	product family TERMINAL BLOCK
ltr	ecn no	dr	date	tolerances unless otherwise specified		MM	title TERMINAL BLOCK
				angles X°±1°	X.±0.5 X.X±0.3 X.XX±0.1		scale WIRE PROTECTOR,90D WIRE INLET
		dr	EVIN ZHONG	040114		sheet 1 of 1	size A4
		enr	EVIN ZHONG	040114			type CUSTOMER Drawing
		chr	HANKE FENG	040114			
		appd	SHI JUN	040114			
sheet index	revision sheet	A	1				