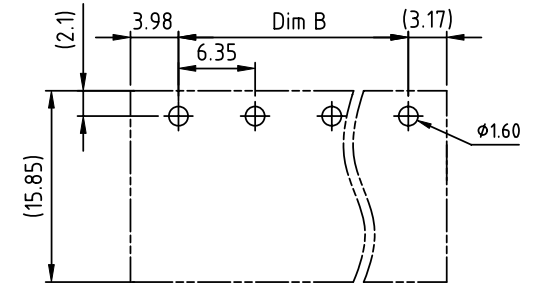
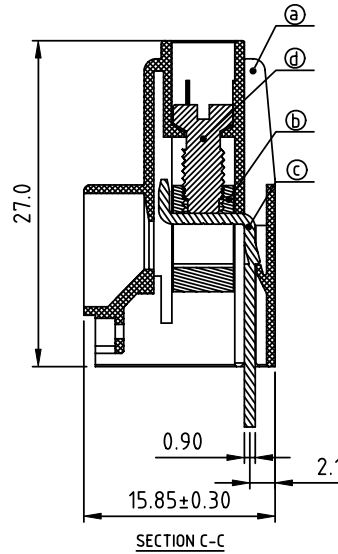
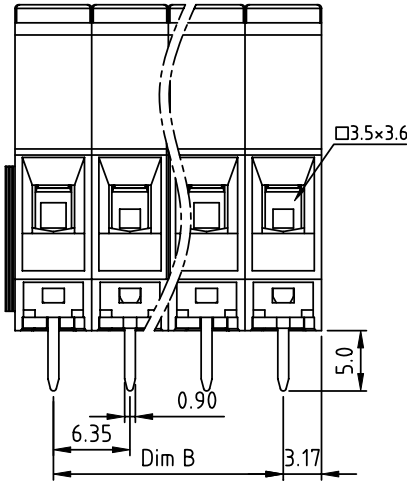
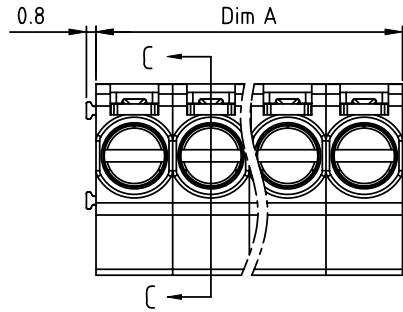


PRODUCT NUMBER	PITCH
KPxx01x100J0G	6.35 mm



RECOMMENDED P.C.B LAYOUT
TOP VIEW

Material:

- Item ① Terminal housing: Thermoplastic (UL 94V-0)
- Item ② Clamp: Brass, Ni plated
- Item ③ Solder pin (Back single row): Copper Tin plated
- Item ④ Terminal screw: Steel, Zinc plating"-slot type

Electrical cULs

- Voltage rating: 300VAC
- Current rating: 30A
- Wire range:
- Solid wire(AWG): 10-24
- Stranded wire(AWG): 10-24
- Torque(Lb-In): 5.3
- Screw: M3.5
- Wire strip length: 8-9mm
- Withstanding Voltage: 1.6KV
- Operating temperature: -40°C to +115°C
- Soldering temperature: 260°C±5°C/5 Sec
- Safety Approval:

PART NO.: KP xx 0 1 x 1 00J0 G

N = Number of poles
Dim A=Nx6.35
Dim B=(N-1)x6.35

Poles	Dim A	Dim B
1p	±0.10	
2-6p	±0.20	±0.15
7-12p	±0.30	±0.25
13-16p	±0.40	±0.35

End Stackable	No. of poles	Body Color	RoHS compliant
0	2	Black (RAL9005)	(lead<4%)
01	1 poles	Red (RAL3001/D)	In copper Alloy
02	2 poles	Orange(RAL2011/P)	
4	...	Yellow(RAL1018/A)	
5	...	Green(RAL6018/T)	
6	16 poles	Blue (RAL5015/A)	
8		Grey(RAL7035/D)	
9		White(RAL1102)	
C		Green(RAL6018/U)	

mat'l. code		surface ASME Y14.5	tolerance ASME Y14.5	projection	product family TERMINAL BLOCK
ltr	ecn no	dr	date		title TERMINAL BLOCK
				tolerances unless otherwise specified	scale MM
				angles X°±1°	scale X.XX±0.1
				dr	EVIN ZHONG 041414
				enr	EVIN ZHONG 041414
				chr	HANKE FENG 041414
				appd	SHI JUN 041414
sheet index	revision	A			dwg no KPxx01x100J0G
	sheet	1			sheet 1 of 1
				size A4	type CUSTOMER Drawing