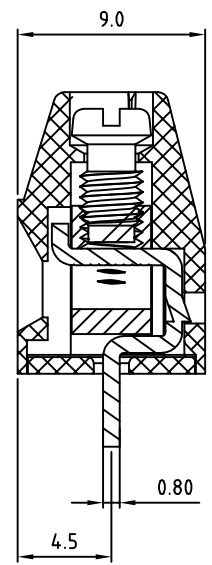
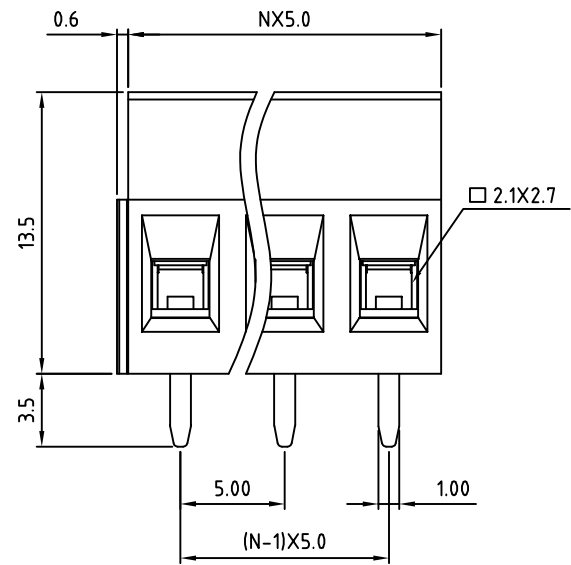
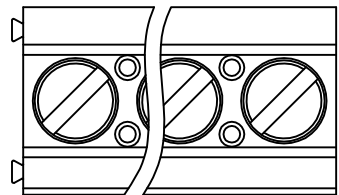


| | | | |
|------|------|---|----------|
| SIGN | DATE | DESCRIPTION | APPROVER |
| | | <i>THIS IS CAD DRAWING, DO NOT REVISE MANUALLY!!!</i> | |



- Material**
- Terminal body
 - (metal housing): Brass(CuZn)
 - Terminal screw: Steel Zinc plating "-" slot type
 - Contacts: Brass
 - Surface of solder tail: Tin plated
 - Insulator (housing): Thermoplastic (UL94V-0)

- Electrical cULus/ FIMKO**
- Voltage rating: 300VAC / 300VAC
 - Current rating: 16A / 17.5A
 - Wire range: 0.5-1.5mm²
Solid wire(AWG): 12-28
Stranded wire(AWG): 12-28
 - Torque: 3.5Lb-In / 0.4N.m
 - Screw: M3
 - Wire strip length: 6-7mm
 - Withstanding Voltage: 1.6KV / 2.5KV
 - Operating temperature: -30°C to +105°C
 - Soldering temperature: 250°C±10°C/5 Sec
 - Safety Approval: cULus FI

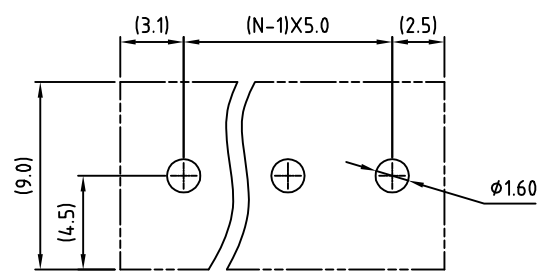
RoHS Compliant

OSTVIXX0151

| | |
|--------------|---------------------|
| No. of Poles | COLOR: |
| 02: 2 Poles | 0: Black |
| 03: 3 Poles | 5: Green (Standard) |
| | 6: Blue |
| 24: 24 Poles | 8: Grey |

N=Number of contacts

P.C.B LAYOUT



THESE DRAWINGS AND SPECIFICATIONS ARE THE PROPERTY OF ON-SHORE TECHNOLOGY, INC. AND SHALL NOT BE REPRODUCED, COPIED OR USED IN ANY MANNER WITHOUT THE PRIOR WRITTEN CONSENT OF ON-SHORE TECHNOLOGY, INC.



| | | | | | |
|-----------------------|----------------------|---|----------------------|--------------|---|
| TITLE | | OSTVI 5.0 Series 180° wire inlet (with cover) | | | |
| PART NO. | OSTVIXX0151 | DWG NO. | OSTVIXX0151.DWG | | |
| APPROVED | CHECKED | DESIGNED | DRAWN | CUST NO. | Tolerance |
| Shi Jun 2006.10.20 | Marvin 2006.10.20 | Marvin 2006.10.20 | Marvin 2006.10.20 | | X. ±0.50 X.X ±0.30 X.XX ±0.10 X° ±1° |
| | | | | SHEET: 01/01 | UNIT: mm SCALE: NONE REV.: E |