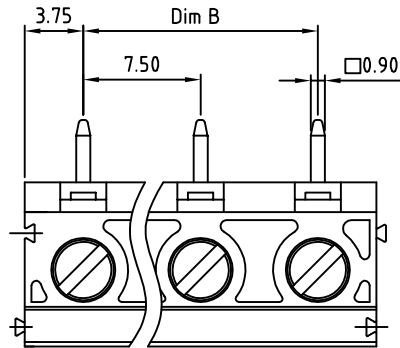


SIGN	DATE	DESCRIPTION	APPROVER
△			

THIS IS CAD DRAWING, DO NOT REVISE MANUALLY!!!



DIMENSION		Poles	Tolerance
Dim A	N×7.5	4p-8p	±0.15
Dim B	(N-1)×7.5	9p-12p	±0.25
		13p-16p	±0.35

N=Number of poles

Material:

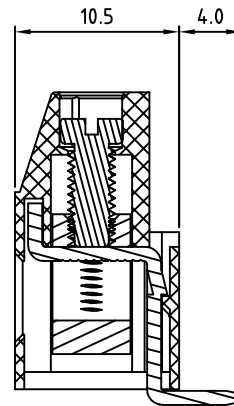
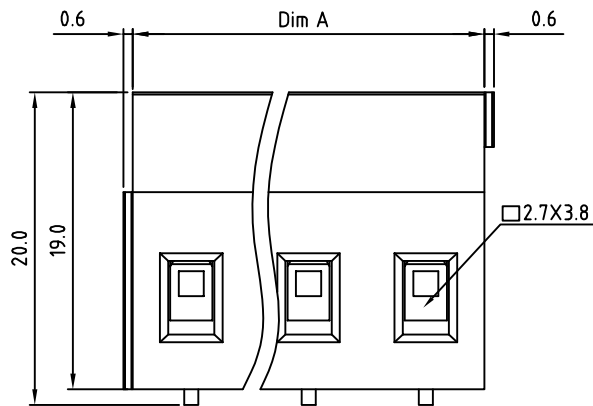
- Terminal housing: Thermoplastic (UL 94V-0)
- Clamp: Brass Ni plated
- Wire guard solder pin: Brass Tin plated
- Terminal screw: Steel Zinc plating"-slot type

Electrical cULus

- Voltage rating: 300VAC
- Current rating: 20A
- Solid wire(AWG): 12-30
- Stranded wire(AWG): 12-30
- Torque(Lb-In): 3.5
- Screw: M3
- Wire strip length: 6-7mm
- Withstanding Voltage: 1.6KV
- Operating temperature: -40°C to +115°C
- Soldering temperature: 250°C±10°C/5 Sec

Safety Approval: 

RoHS Compliant



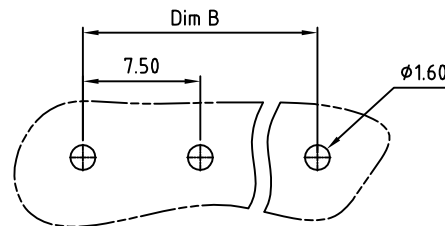
PART NUMBER:

OSTVJXX4153


No. of Poles  
02 2 Poles  
03 3 Poles  
...  
16 16 Poles

COLOR  
0: Black  
5: Green (Standard)  
6: Blue  
8: Grey

THESE DRAWINGS AND SPECIFICATIONS ARE THE PROPERTY OF ON-SHORE TECHNOLOGY, INC. AND SHALL NOT BE REPRODUCED, COPIED OR USED IN ANY MANNER WITHOUT THE PRIOR WRITTEN CONSENT OF ON-SHORE TECHNOLOGY, INC.



P.C.B LAYOUT

							
TITLE		OSTVJ-7.5 SERIES 90° wire inlet Solid block 4P-16P					
PART NO.		OSTVJXX4153		DWG NO.		OSTVJXX4153.DWG	
APPROVED	CHECKED	DESIGNED	DRAWN	CUST NO.		Tolerance	
		Aaron 2009.09.04	Aaron 2009.09.04			X.	±0.50
						X.X	±0.30
						X.XX	±0.10
						X°	±1°
				SHEET: 01/01		UNIT: mm	
						SCALE: NONE	
						REV: B	