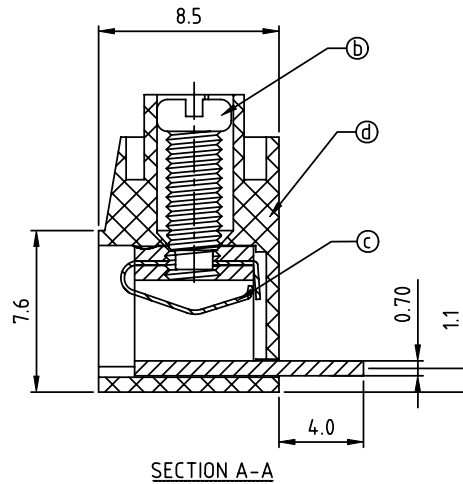
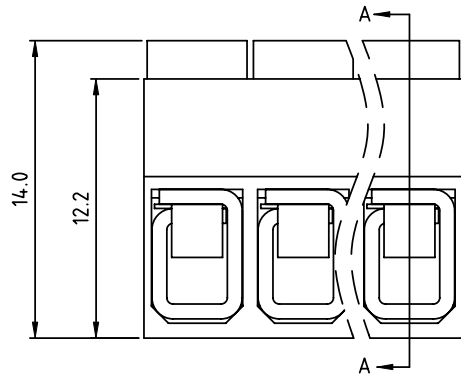
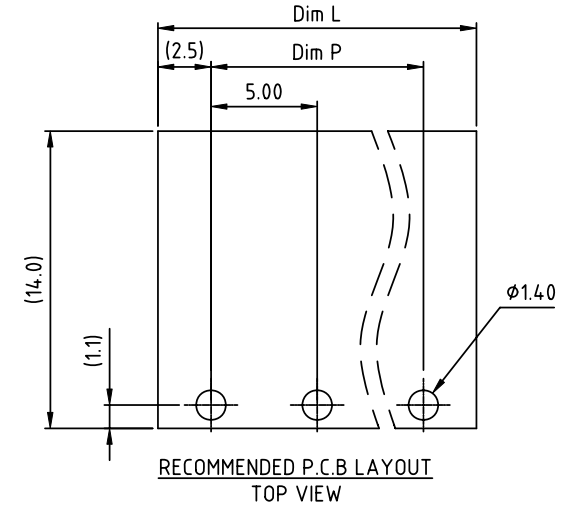
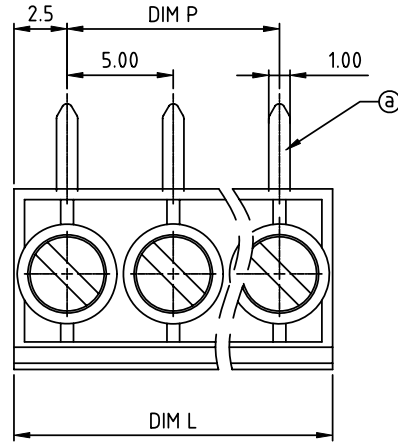


PRODUCT NUMBER	PITCH
TLxx05x000J0G	5.00 mm



Material

- Item (a) Terminal body: Brass stamping, Tin plated
- Item (b) Terminal screw: Steel Zinc plating "-" slot type
- Item (c) Wire guard: PhBz, Tin plated
- Item (d) Terminal (housing): Thermoplastic (UL94V-0)

Electrical cULus

- Voltage rating: 250VAC
- Current rating: 15A
- Wire range:
  - Solid wire(AWG): 12-22
  - Stranded wire(AWG): 12-22
- Torque(Lb-In): 3.5
- Screw: M2.5
- Wire strip length: 6-7mm
- Withstanding Voltage: 1.6KV
- Operating temperature: -40°C to +115°C
- Soldering temperature: 260°C±5°C/5 Sec
- Safety Approval: cULus

N = Number of poles  
Dim L = N x 5.0  
Dim P = (N-1) X 5.0

Poles	Dim L	Dim P
2-6p	±0.15	±0.10
7-12p	±0.20	±0.20
13-18p	±0.30	±0.25
19-24p	±0.40	±0.30

PART NO.: TL xx 05 x 0 00J0 G

Solid Block  
No. of poles  
02 2 poles  
03 3 poles  
...  
24 24 poles

Body Color  
0 Black (RAL9005)  
2 Red (RAL3001/D)  
3 Orange(RAL2011/P)  
4 Yellow(RAL1018/A)  
5 Green(RAL6018/T)  
6 Blue (RAL5015/A)  
8 Grey(RAL7035/D)  
9 White(RAL1102)  
C Green(RAL6018/U)

RoHS compliant  
(lead<4%)  
In copper Alloy

mat'l. code				surface ASME Y14.5		tolerance ASME Y14.5		projection		product family	
itr ecn no dr date				tolerances unless otherwise specified		X.±0.5		MM		TERMINAL BLOCK	
				angles		X.X±0.3				title	
				X*±1°		X.XX±0.1		scale		TERMINAL BLOCK	
				dr		EVIN ZHONG 040114				WIRE PROTECTOR,90D WIRE INLET	
				enr		EVIN ZHONG 040114				sheet 1 of 1 size	
				chr		HANKE FENG 040114				TLxx05x000J0G A4	
				appd		SHI JUN 040114				type	
										CUSTOMER Drawing	
sheet index		revision sheet		A 1							