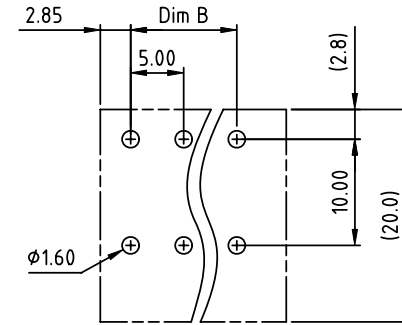
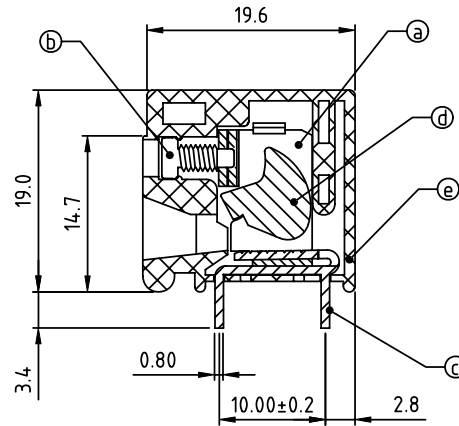
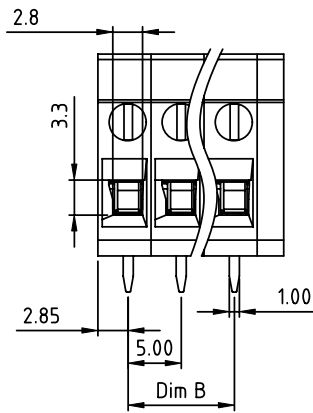
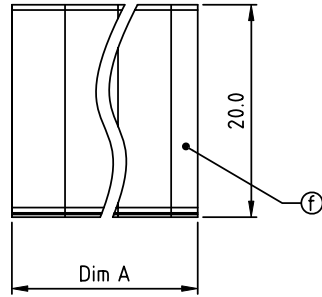


PRODUCT NUMBER	PITCH
TRxx05x1A0J0G	5.00 mm



RECOMMENDED P.C.B LAYOUT
TOP VIEW

Material

- Item ① Terminal body(metal housing): steel stamping Zinc plating
- Item ② Terminal screw: Steel Zinc plating "-" slot type
- Item ③ Contacts: Brass, Tin plated
- Item ④ Firm wire chunk: steel Zinc plating
- Item ⑤ Insulator (housing): Thermoplastic (UL94V-0)
- Item ⑥ Terminal cover :Thermoplastic (UL94V-0)

Electrical cULus

- Voltage rating: 300VAC
- Current rating: 20A
- Wire range:
- Solid wire(AWG): 12-22
- Stranded wire(AWG): 12-22
- Torque(Lb-In): 2.4
- Screw: M2.5
- Wire strip length: 10-11mm
- Withstanding Voltage: 1.6KV
- Operating temperature: -40°C to +115°C
- Soldering temperature: 260°C±5°C/5 Sec
- Safety Approval: cULus

N = Number of poles
Dim A=N×5.0+2.5
Dim B=(N-1)×5.0

PART NO.: TR xx 0 5 x 1 A0J0 G

Poles	Tolerance
1p	±0.10
2p-6p	±0.20
7p-12p	±0.25
13p-18p	±0.35
19p-24p	±0.40

End stackable	No. of poles	Body Color	RoHS compliant
0	2	Black (RAL9005)	lead<4% In copper Alloy
01	1 pole	Red (RAL3001/D)	
02	2 poles	Orange(RAL2011/P)	
...	...	Yellow(RAL1018/A)	
...	...	Green(RAL6018/T)	
24	24 poles	Blue (RAL5015/A)	
		8 Grey(RAL7035/D)	
		9 White(RAL1102)	
		C Green(RAL6018/U)	

mat'l. code		surface ASME Y14.5	tolerance ASME Y14.5	projection	product family TERMINAL BLOCK
ltr	ecn no	dr	date	tolerances unless otherwise specified	title
				angles X±1°	TERMINAL BLOCK
				scale	WIRE PROTECTOR,180 DEGREE WIRE INLET
		dr	EVIN ZHONG	040114	sheet 1 of 1
		enrg	EVIN ZHONG	040114	size A4
		chr	HANKE FENG	040114	TRxx05x1A0J0G
		appd	SHI JUN	040114	type CUSTOMER Drawing
sheet index	revision	A			
	sheet	1			