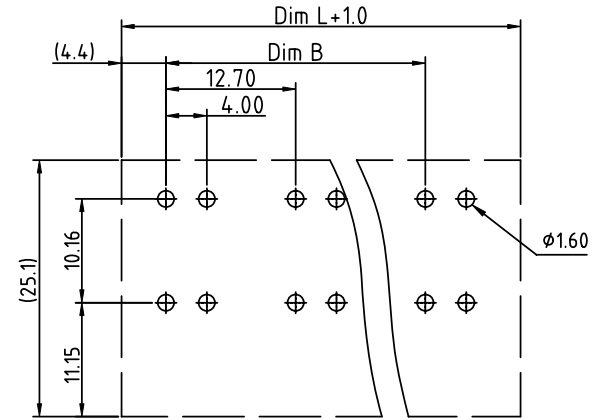
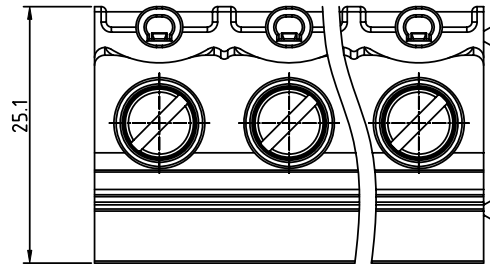
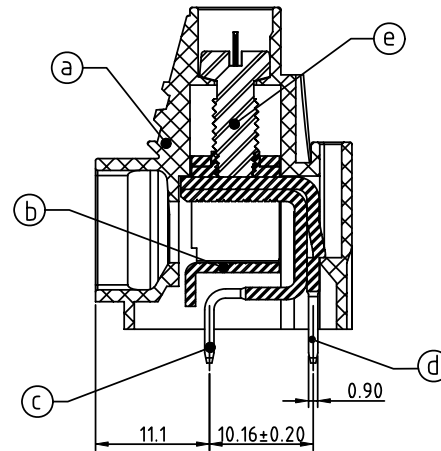
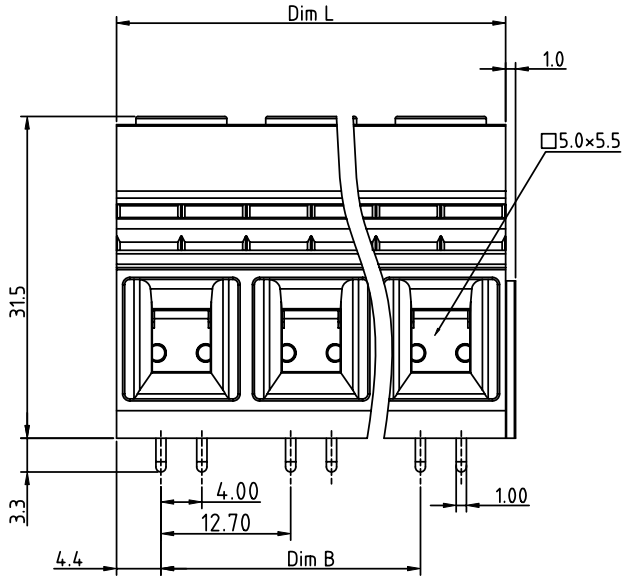


PRODUCT NUMBER	PITCH
VPxx85x800J0G	12.70mm



RECOMMENDED P.C.B LAYOUT
TOP VIEW



Material:

- Item a Terminal housing :Thermoplastic (UL 94V-0)
- Item b Clamp : Steel stamping , Zinc plated
- Item c Solder pin1 : Copper ,Tin plated
- Item d Solder pin2 : Copper ,Tin plated
- Item e Terminal screw : Steel Zinc plating"- "slot type

Electrical cULs/IEC

- Voltage rating : 300V / 1000V
- Current rating : 65A / 76A
- Wire range :
- Solid wire (AWG) : 6-20 / 16.00mm²
- Stranded wire (AWG) : 6-20 / 16.00mm²
- Torque : 19lb-in / 1.2N.m
- Screw : M4.5
- Wire strip length : 10-11mm
- Withstanding voltage : 2.2KV 6KV
- Operating temperature : -40°C+115°C
- Soldering temperature : 260°C+5°C/5 Sec
- Safety Approval : US

PART NO.: VP xx 8 5 x 8 00J0 G

N = Number of poles

Dim L=Nx12.70	
Dim B=(N-1)x12.70	
POLES	Tolerance
2P-5P	±0.15
6P-9P	±0.20
10P-12P	±0.30

End Stackable	Body Color	RoHS compliant
No. of poles	0 Black (RAL9005)	(lead<4%)
02 2 poles	2 Red (RAL3001/D)	In copper Alloy
03 3 poles	3 Orange(RAL2011/P)	
...	4 Yellow(RAL1018/A)	
...	5 Green(RAL6018/T)	
12 12 poles	6 Blue (RAL5015/A)	
	8 Grey(RAL7035/D)	
	9 White(RAL1102)	
	C Green(RAL6018/U)	

mat'l. code		surface ASME Y14.5	tolerance ASME Y14.5	projection 	product family TERMINAL BLOCK
ltr	ecn no	dr	date		title TERMINAL BLOCK
				tolerances unless otherwise specified	product family RISING CLAMP,DOUBLE TAIL PARALLELTYP
				angles $X \pm 1^\circ$	scale MM [INCH]
				$X \pm 0.5$	dwg no VPxx85x800J0G
				$X.X \pm 0.3$	sheet 1 of 1 size A4
				$X.XX \pm 0.1$	type CUSTOMER Drawing
dr		EVIN ZHONG 041414			
enrg		EVIN ZHONG 041414			
chr		HANKE FENG 041414			
appd		SHI JUN 041414			
sheet index	revision sheet	A 1			