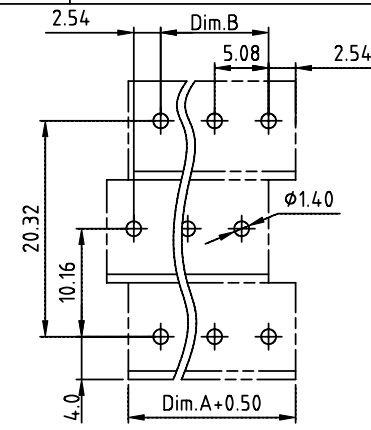
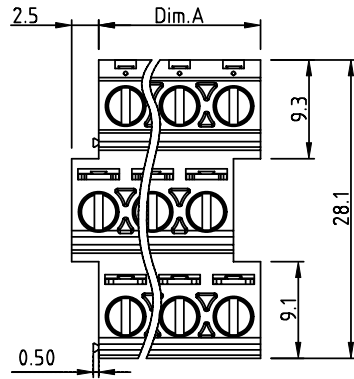
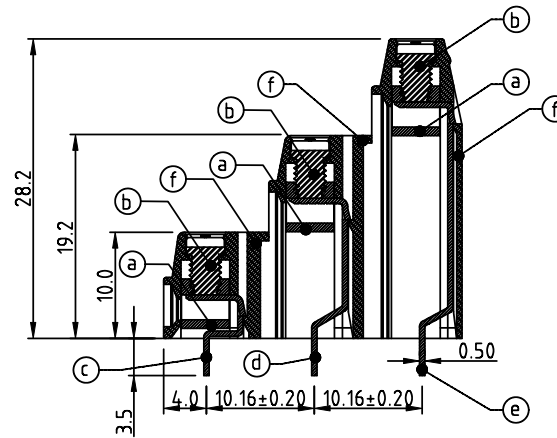
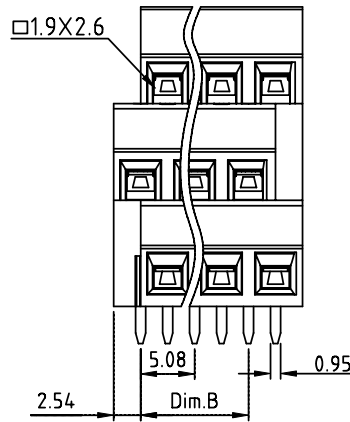


PRODUCT NUMBER	PITCH
YBxx21x000J0G	5.08 mm



RECOMMENDED P.C.B LAYOUT
TOP VIEW



Material

- Item (a) (metal housing): Brass (CuZn); Ni plated
- Item (b) Terminal screw: Steel Zinc plating "-" slot type
- Item (c) Solder pin: Brass, Tin plated (Short)
- Item (d) Solder pin: Brass, Tin plated (Middle)
- Item (e) Solder pin: Brass, Tin plated (Long)
- Item (f) Insulator (housing): Thermoplastic (UL94V-0)

Electrical

- Voltage rating: 300VAC
- Current rating: 10A
- Wire range:
- Solid wire (AWG): 14-24
- Stranded wire (AWG): 14-24
- Torque (Lb-In): 3.5
- Screw: M3.0
- Wire strip length: 6-7mm
- Withstanding Voltage: 1.6KV
- Operating temperature: -40°C to +115°C
- Soldering temperature: 260°C ± 5°C / 5 Sec
- Safety Approval: cULus

PART NO.: YB xx 2 1 x 0 00J0 G

N=Number of poles
Dim.B = (N-1)x5.08
Dim.A = Nx5.08

Poles	3x2P-3x7P	3x8P-3x12P	3x13P-3x18P	3x19P-3x24P
Dim.B	±0.15	±0.20	±0.25	±0.30
Dim.A	±0.20	±0.25	±0.30	±0.40

	End stackable	No. of poles	Color	RoHS compliant
06	3x2 poles	3	Black (RAL9005)	(lead<4%)
09	3x3 poles	4	Red (RAL3001/D)	In copper Alloy
...	Orange (RAL2011/P)	
72	3x24 poles	5	Yellow (RAL1018/A)	
		6	Green (RAL6018/T)	
		8	Blue (RAL5015/A)	
		9	Grey (RAL7035/D)	
		9	White (RAL1102)	
		C	Green (RAL6018/U)	

mat'l. code		surface ASME Y14.5	tolerance ASME Y14.5	projection	product family
ltr ecn no dr date		tolerances unless otherwise specified		MM	TERMINAL BLOCK
		angles	X.±0.5	MM	TERMINAL BLOCK
		X*±1°	X.XX±0.1	scale	RISING CLAMP, 180D WIRE INLET, END STACKABLE
		dr	EVIN ZHONG 041114	FCI	dwg no
		enrg	EVIN ZHONG 041114		sheet 1 of 1
		chr	HANKE FENG 041114		size
		appd	SHI JUN 041114		A4
sheet index	revision sheet	A	1	type	CUSTOMER Drawing