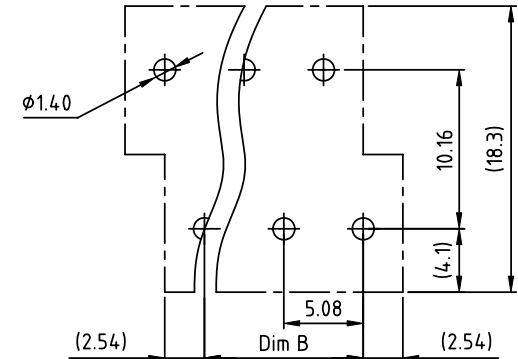
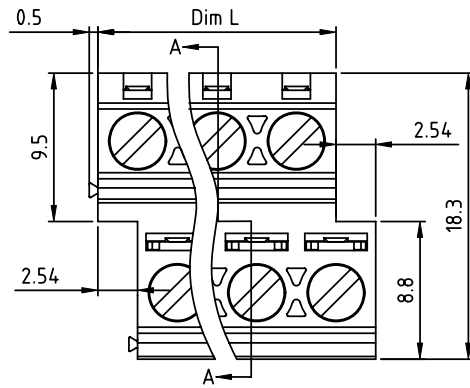
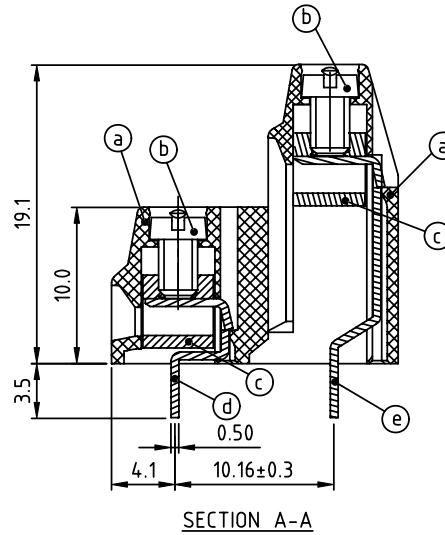
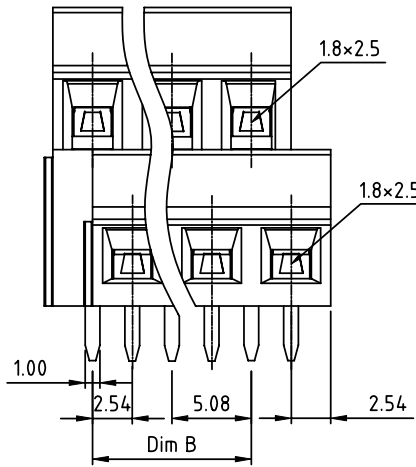


PRODUCT NUMBER	PITCH
YSxx21x000J0G	5.08mm



RECOMMENDED P.C.B LAYOUT
TOP VIEW



SECTION A-A

Material:

- Item@ Terminal housing : Thermoplastic (UL94V-0)
- ItemⓅ Terminal screw : Steel Zinc plating "-" slot type
- ItemⒸ Clamp : Brass, Ni plated
- ItemⓁ Solder pin1 : Brass, Tin plated
- ItemⓂ Solder pin2 : Brass, Tin plated

Electrical cULus

- Voltage rating: 300V
- Current rating: 10A
- Torque(Lb-In): 3.5
- Screw: M3.0
- Wrire range:
- Solid wire(AWG): 16-26
- Stranded wire(AWG): 16-26
- Wire strip length: 6-7mm
- Withstanding Voltage:1.6kv
- Operating temperature: -40°C to +115°C
- Soldering temperature: 260°C±5°C/5 Sec
- Safety Approval: cULus

DIMENSION

Dim L	N/2x5.08
Dim B	(N/2-1)x5.08

N=Number of poles

Poles	Tolerance
2x2p~2x6p	±0.15
2x7p~2x12p	±0.25
2x13p~2x18p	±0.35
2x19p~2x24p	±0.45

PART NO.: YS xx 2 1 x 0 00J0 G

End stackable	0	Color	Black (RAL9005)	RoHS compliant	(lead<4%)
No. of poles	2		Red (RAL3001/D)		In copper Alloy
04	2x2 poles	3	Orange(RAL2011/P)		
06	2x3 poles	4	Yellow(RAL1018/A)		
...	...	5	Green(RAL6018/T)		
48	2x24 poles	6	Blue (RAL5015/A)		
		8	Grey(RAL7035/D)		
		9	White(RAL1102)		
		C	Green(RAL6018/U)		

mat'l. code		surface ASME Y14.5	tolerance ASME Y14.5	projection	product family
ltr	ecn no	dr	date	 MM	TERMINAL BLOCK
tolerances unless otherwise specified					title
angles		X.±0.5		 scale	RISING CLAMP, 180D WIRE INLET, END STACKABLE YSxx21x000J0G
X°±1'		X.XX±0.1			sheet 1 of 1 size A4
dr	EVIN ZHONG	041014			type
enr	EVIN ZHONG	041014			CUSTOMER Drawing
chr	HANKE FENG	041014			
appd	SHI JUN	041014			
sheet index	revision sheet	A 1			