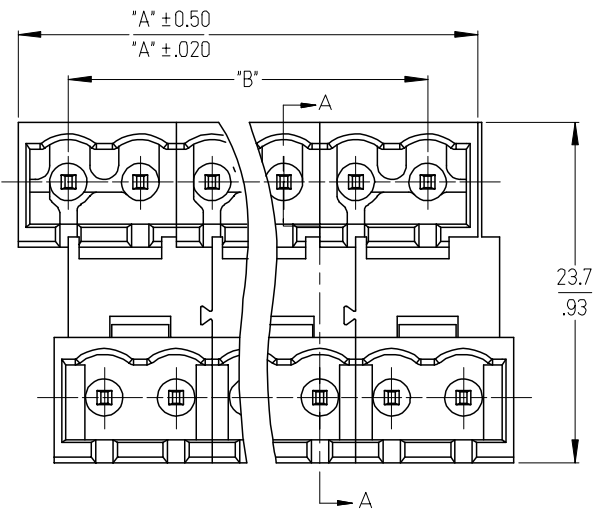
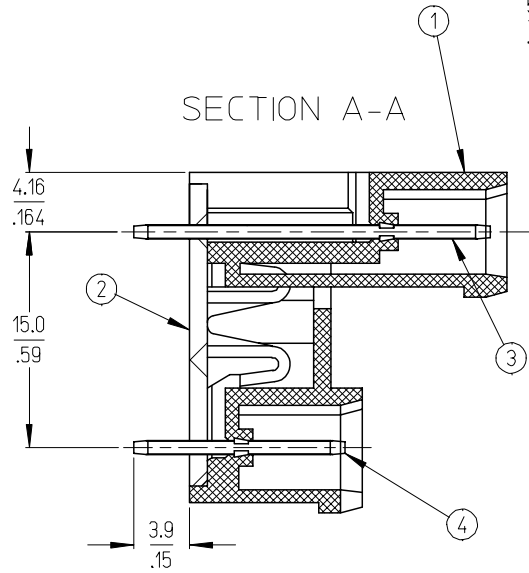


SECTION A-A



SPECIFICATIONS:

- MATERIAL:
 - BODY: PA46 (UL 94V-0).
 - COVER: PA46 (UL 94V-0).
 - LONG TERMINAL: BRASS.
 - SHORT TERMINAL: BRASS.
- ELECTRICAL RATING: 300V, 15A.
- DIELECTRIC WITHSTAND: AC 2500V FOR 1 MINUTE.
- BREAKDOWN VOLTAGE: 4000V.
- INSULATION RESISTANCE: DC 1000V, 1000 MEGOHMS.
- OPERATING TEMPERATURE: -40°C TO +140°C.
- NUMBER OF CIRCUIT POSITIONS AVAILABLE= 4 THROUGH 48, EVEN NUMBERED CIRCUIT SIZES ONLY.
- ALL COMPONENTS ARE ROHS COMPLIANT.

INITIAL RELEASE EC NO: ETC2007-0364 DRWN: CLYORK 2007/03/28 CHKD: JMACNEIL 2007/04/04 APPR: JMACNEIL 2007/04/05	QUALITY SYMBOLS ▽=0 ▽=0	GENERAL TOLERANCES (UNLESS SPECIFIED)		DIMENSION STYLE		SCALE	DESIGN UNITS	THIRD ANGLE PROJECTION	
			mm	INCH	MM/IN		3:1		INCH
		4 PLACES	± ---	± ---	DRAWN BY	DATE	TITLE		
		3 PLACES	± ---	± .005	C. YORK	2007/03/28	5.08MM, EURO DUAL HEADER VERTICAL, CLOSED END, STACKABLE, HIGH TEMP		
2 PLACES	± 0.13	± .01	CHECKED BY	DATE	APPROVED BY		MOLEX MOLEX INCORPORATED		
1 PLACE	± 0.3	± ---	J. MACNEIL	2007/03/28	DATE				
ANGULAR ± 2 °		DRAFT WHERE APPLICABLE MUST REMAIN WITHIN DIMENSIONS		MATERIAL NO.		DOCUMENT NO.		SHEET NO.	
				SEE SHEET 2		SD-39539-002		1 OF 2	
				THIS DRAWING CONTAINS INFORMATION THAT IS PROPRIETARY TO MOLEX INCORPORATED AND SHOULD NOT BE USED WITHOUT WRITTEN PERMISSION					

F

E

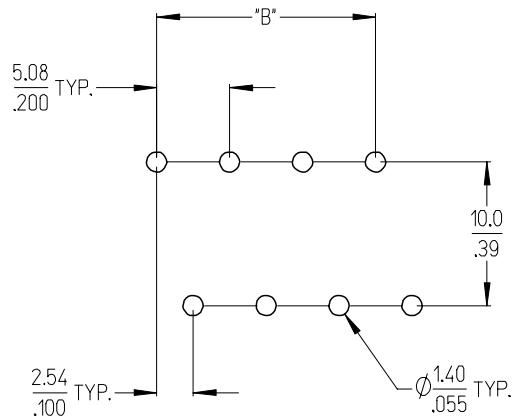
D

C

B

A

CIRCUIT SIZE	MATERIAL NUMBERS	DIMENSIONAL INFORMATION			
		DIM. A		DIM B	
		mm	inch	mm	inch
4		12.16	.479	5.08	.200
6		17.24	.679	10.16	.400
8	395390007	22.32	.879	15.24	.600
10		27.40	1.079	20.32	.800
12		32.48	1.279	25.40	1.000
14		37.56	1.479	30.48	1.200
16	395390006	42.64	1.679	35.56	1.400
18		47.72	1.879	40.64	1.600
20		52.80	2.079	45.72	1.800
22		57.88	2.279	50.80	2.000
24		62.96	2.479	55.88	2.200
26		68.04	2.679	60.96	2.400
28		73.12	2.879	66.04	2.600
30		78.20	3.079	71.12	2.800
32		83.28	3.279	76.20	3.000
34		88.36	3.479	81.28	3.200
36		93.44	3.679	86.36	3.400
38		98.52	3.879	91.44	3.600
40		103.60	4.079	96.52	3.800
42		108.68	4.279	101.60	4.000
44		113.76	4.479	106.68	4.200
46		118.84	4.679	111.76	4.400
48		123.92	4.879	116.84	4.600



RECOMMENDED PCB LAYOUT

SEE SHEET 1	EC NO: ETC2007-0364 2007/03/28 DRWN: CLYORK CHKD: JMACNEIL APPR: JMACNEIL 2007/04/04 2007/04/05	QUALITY SYMBOLS ▽=0 ▽=0	GENERAL TOLERANCES (UNLESS SPECIFIED)		DIMENSION STYLE	SCALE	DESIGN UNITS	THIRD ANGLE PROJECTION
			mm	INCH	MM/IN	3:1	INCH	
			4 PLACES ± ---	± ---	DRAWN BY	DATE	TITLE	
			3 PLACES ± ---	± .005	C. YORK	2007/03/28	5.08MM, EURO DUAL HEADER	
2 PLACES ± 0.13	± .01	CHECKED BY	DATE	VERTICAL, CLOSED END,				
1 PLACE ± 0.3	± ---	J. MACNEIL	2007/03/28	STACKABLE, HIGH TEMP				
ANGULAR ± 2 °		APPROVED BY	DATE	MOLEX INCORPORATED				
DRAFT WHERE APPLICABLE MUST REMAIN WITHIN DIMENSIONS		J. MACNEIL	2007/03/28	MATERIAL NO.	DOCUMENT NO.			
		SEE CHART		SD-39539-002	SHEET NO.			
		SIZE	THIS DRAWING CONTAINS INFORMATION THAT IS PROPRIETARY TO MOLEX INCORPORATED AND SHOULD NOT BE USED WITHOUT WRITTEN PERMISSION					
		B						