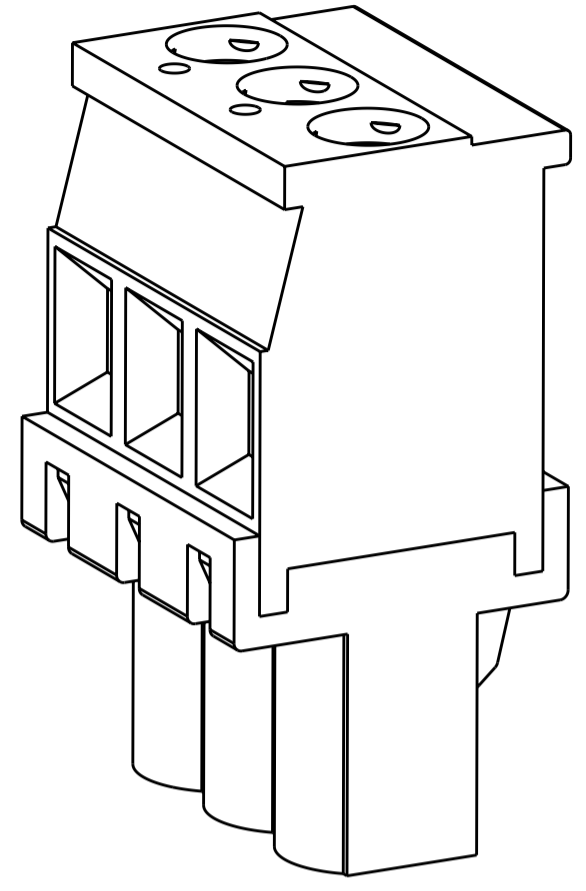
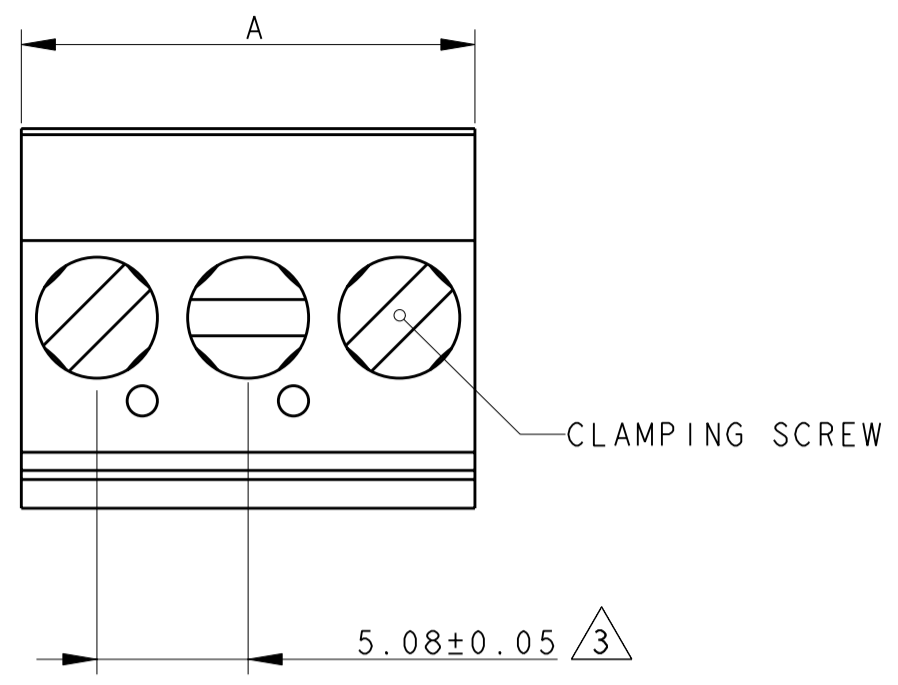


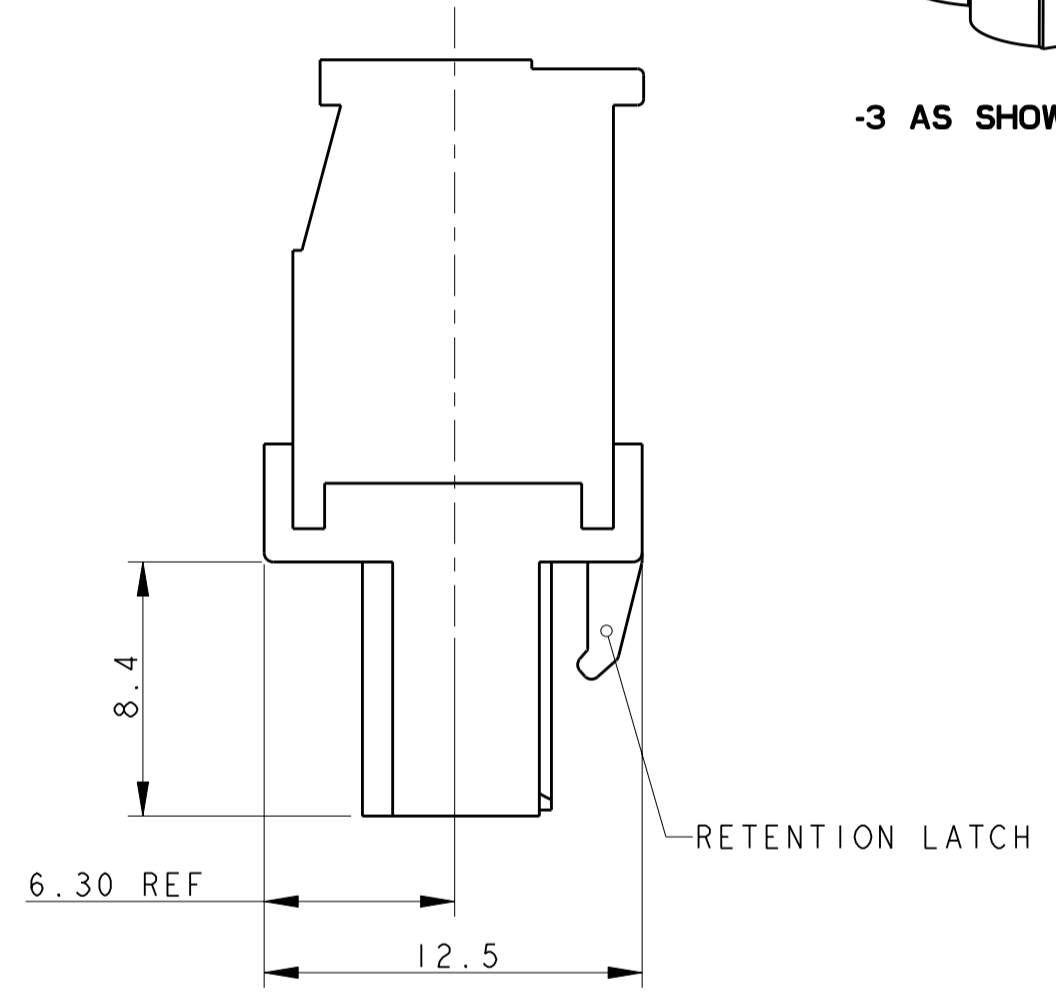
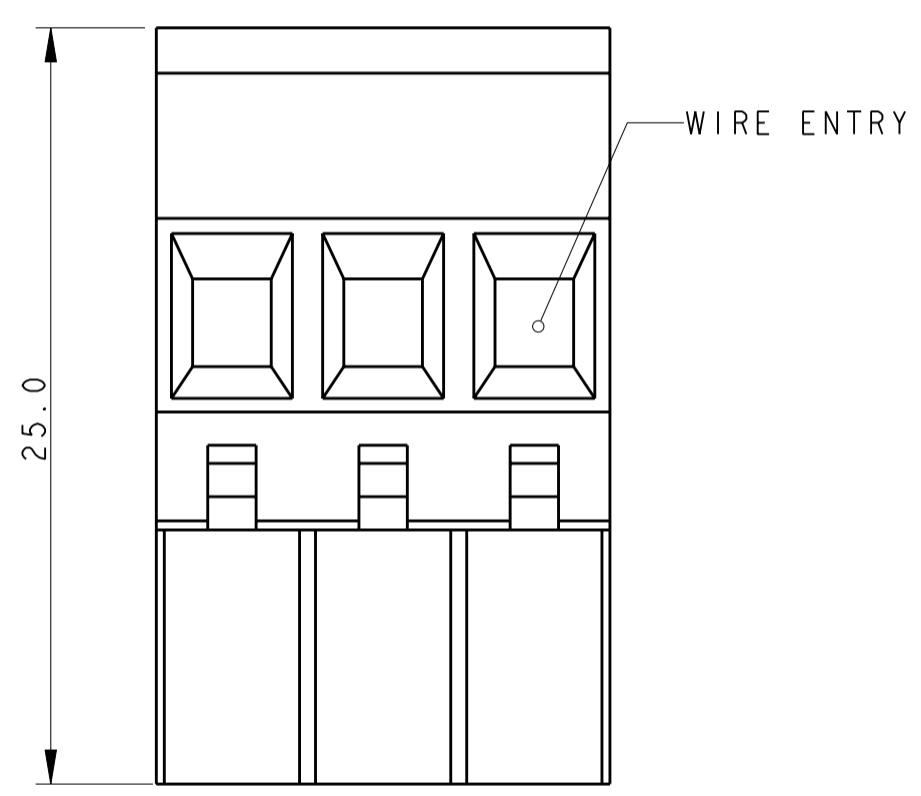
THIS DRAWING IS UNPUBLISHED. RELEASED FOR PUBLICATION 20  
 © COPYRIGHT 20 BY ALL RIGHTS RESERVED.

LOC		DIST		REVISIONS			
P	LTR	DESCRIPTION	DATE	DWN	APVD		
FT	0						
	C3	REVISED PER ECO-11-004820	11MAR2011	RK	HMR		



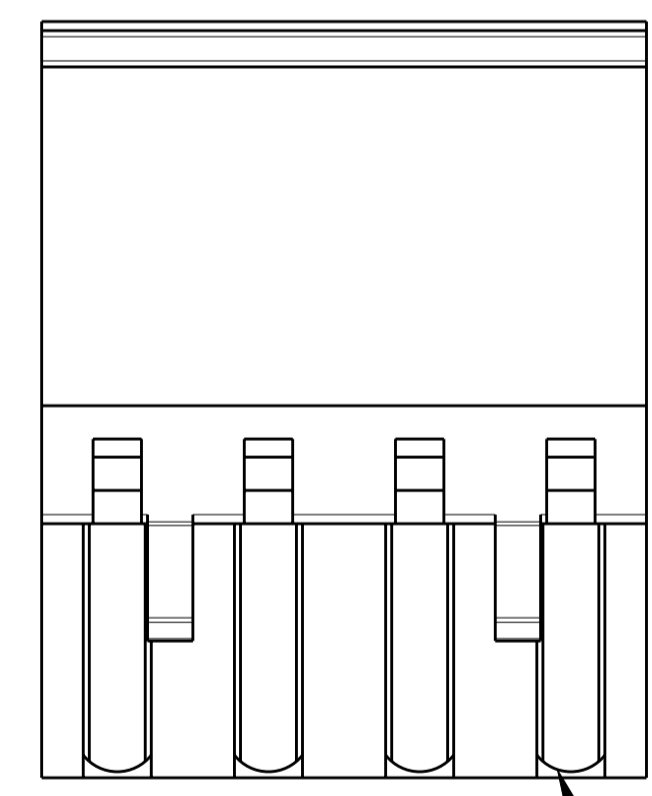
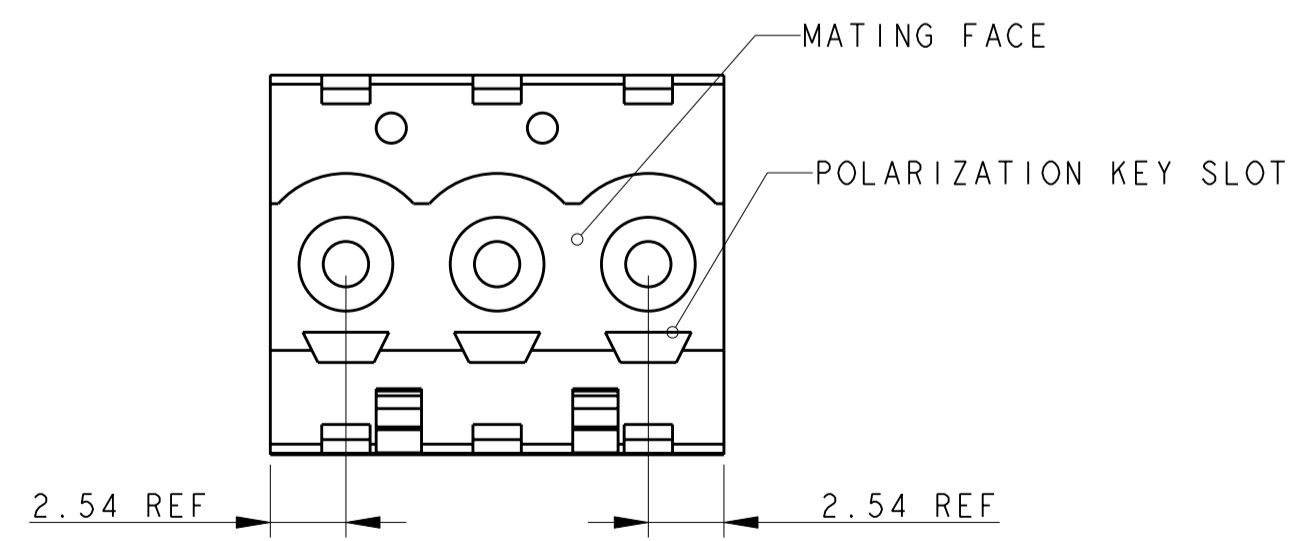
-3 AS SHOWN

- 1 MATERIALS AND FINISH  
 HOUSING: PA 6-6, UL 94-V0, COLOR GREEN.  
 CLAMP: BRASS, NICKEL PLATED.  
 DOUBLE SIDE CONTACT SPRING: PHOSPHOR BRONZE, TIN PLATED.  
 CLAMPING SCREW: M3, BRASS, NICKEL PLATED.
- 2 WIRE SIZE RANGE:  
 12 - 30 AWG
- 3 NOT CUMULATIVE TOLERANCE.
- 4 PRELIMINARY
- 5 SPECIAL MARKING TO BE PERMANENT BLACK LETTERING

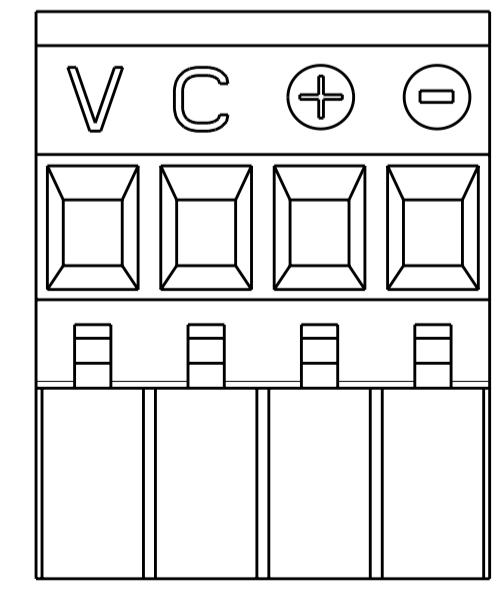


5 4  
 4 4  
 4 4

DIM. A	NO OF POS.	PART NUMBER
20.32	4	2-284041-7
20.32	4	2-284041-6
127.00	25	2-284041-5
121.92	24	2-284041-4
116.84	23	2-284041-3
111.76	22	2-284041-2
106.68	21	2-284041-1
101.60	20	2-284041-0
96.52	19	1-284041-9
91.44	18	1-284041-8
86.36	17	1-284041-7
81.28	16	1-284041-6
76.20	15	1-284041-5
71.12	14	1-284041-4
66.04	13	1-284041-3
60.96	12	1-284041-2
55.88	11	1-284041-1
50.80	10	1-284041-0
45.72	9	284041-9
40.64	8	284041-8
35.56	7	284041-7
30.48	6	284041-6
25.40	5	284041-5
20.32	4	284041-4
15.24	3	284041-3
10.16	2	284041-2



SEE DETAIL A



DETAIL B

THIS DRAWING IS A CONTROLLED DOCUMENT.

DIMENSIONS:	TOLERANCES UNLESS OTHERWISE SPECIFIED:	DWN 27MAR2001	TE Connectivity NAME: TERMINAL BLOCK, VERTICAL PLUG STACKING, LEFT HAND 5.08mm PITCH
mm	0 PLC ±-	CHK 27MAR2001	
	1 PLC ±0.3	APVD 27MAR2001	
	2 PLC ±0.25	PRODUCT SPEC	
	3 PLC ±-	APPLICATION SPEC	SIZE: A200779
	4 PLC ±-	WEIGHT	CAGE CODE: C-284041
MATERIAL	ANGLES ±2	CUSTOMER DRAWING	DRAWING NO: 284041
	FINISH	SCALE: 4:1	SHEET 1 OF 1
			REV: C3