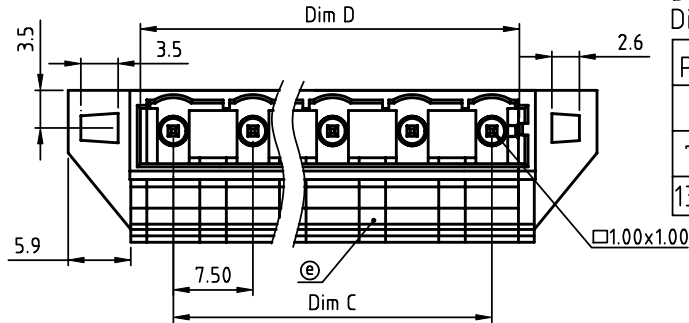


PRODUCT NUMBER	PITCH
NBxxA0x100J0G	7.50 mm

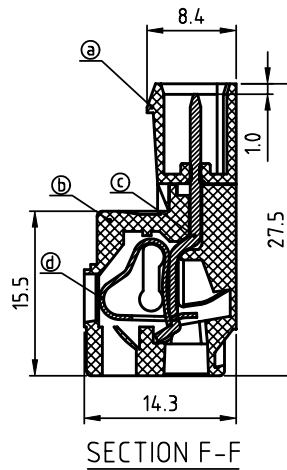
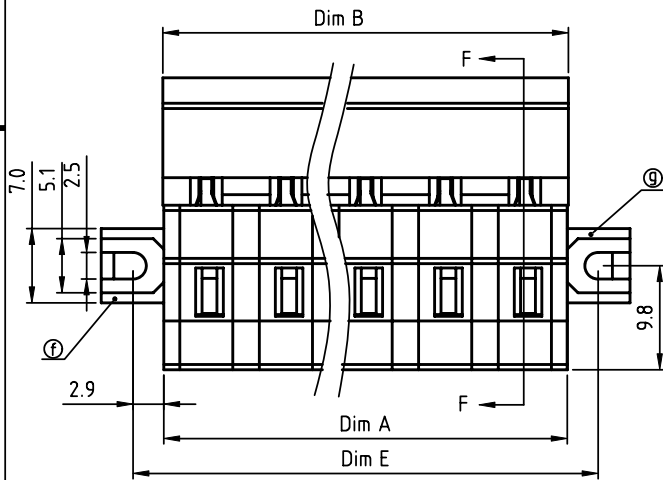
N=Number of poles
 Dim A=Nx7.5+0.5
 Dim B=Nx7.5+0.7
 Dim C=(N-1)x7.5
 Dim D=(N-1)x7.5+5.7
 Dim E=Nx7.5+6.3

PART NO.: NB xx A 0 x 1 00J0 G

Solid block	0	Black (RAL9005)	RoHS compliant (lead<4%) In copper Alloy
No. of poles	2	Red (RAL3001/D)	
02 2 poles	3	Orange(RAL2011/P)	
03 3 poles	4	Yellow(RAL1018/A)	
...	5	Green(RAL6018/T)	
16 16 poles	6	Blue (RAL5015/A)	
	8	Grey(RAL7035/D)	
	9	White(RAL1102)	
	C	Green(RAL6018/U)	



POLES	Dim A	Dim B	Dim C	Dim D	Dim E
2-6p	±0.20	±0.20	±0.10	±0.20	±0.10
7-12p	±0.30	±0.30	±0.20	±0.30	±0.20
13-16p	±0.40	±0.40	±0.30	±0.40	±0.30

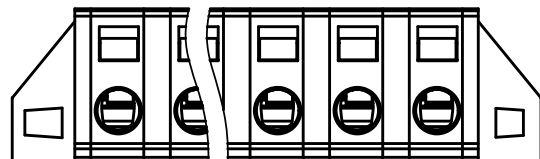


Material:

- ItemⒶTop body: Thermoplastic (UL94 V-0)
- ItemⒷBottom body: Thermoplastic (UL94 V-0)
- ItemⒸMale contact pin: Brass Tin plated
- ItemⒹSpring clamp: Stainless steel
- ItemⒺPad board: Thermoplastic (UL94V-0)
- ItemⒻTerminal left cover: Thermoplastic (UL94V-0)
- ItemⒼTerminal right cover:Thermoplastic(UL94V-0)

Electrical cULus

- Voltage rating: 300V
- Current rating: 8A
- Wire range:
- Solid wire(AWG): 12-28
- Stranded wire(AWG): 12-28
- Wire strip length: 8-9mm
- Withstanding Voltage: 1.6KV
- Operating temperature: -40°C to +115°C
- Safety Approval:



mat'l. code		surface ASME Y14.5	tolerance ASME Y14.5	projection MM	product family TERMINAL BLOCK	
ltr ecn no dr date		tolerances unless otherwise specified		MM	title TERMINAL BLOCK SPRING CLAMP, PLUGGABLE PLUG WITH FLANGE, MALE CONNECTOR	
		angles X°±1"	X.±0.5 X.X±0.3 X.XX±0.1			scale
		dr	EVIN ZHONG 051714	FCI	dwg no	
		enr	EVIN ZHONG 051714		sheet 1 of 1	size A4
		chr	HANKE FENG 051714		NBxxA0x100J0G	
		appd	SHI JUN 051714	type	CUSTOMER Drawing	
sheet index	revision sheet	A	1			