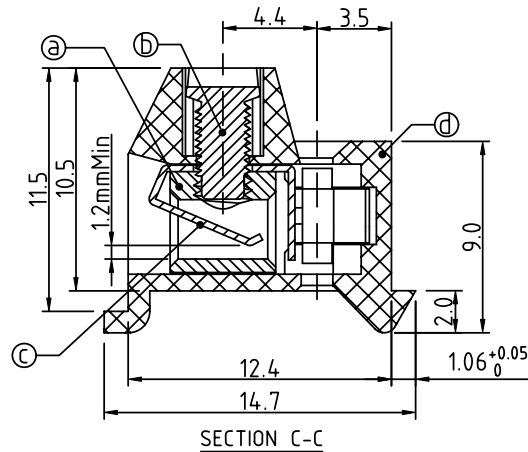
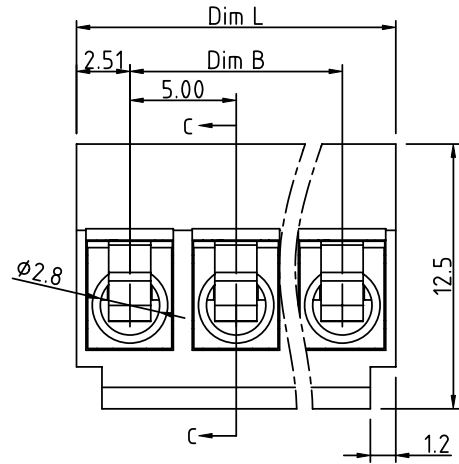
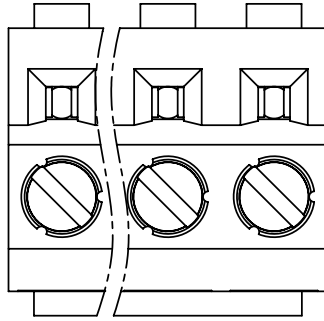


| | |
|----------------|---------|
| PRODUCT NUMBER | PITCH |
| TYxx01x000J0G | 5.00 mm |



Material

- (a) Terminal body (metal housing): Brass (Cu Zn)Ni plated
- (b) Terminal screw: Steel Zinc plating "-" slot type
- (c) Wire guard: PhBz, tin plated
- (d) Terminal (housing): Thermoplastic (UL94V-0)

Electrical cULus TUV

- Voltage rating: 300VAC /300VAC
- Current rating: 10A /10A
- Wire range: 0.2-2.5mm²
- Solid wire(AWG): 14-26/14-26
- Stranded wire(AWG): 14-26/14-26
- Torque: 3.5Lb-In /0.4Nm
- Screw: M2.6
- Wire strip length: 6-7mm
- Withstanding Voltage: 1.6KV/2.5KV
- Operating temperature: -40°C to +115°C
- Safety Approval:

PART NO.: TY xx 01 x 0 00J0 G

N=Number of poles
Dim L=Nx5.0
Dim B=(N-1)x5.0

| poles | Tolerance |
|--------|-----------|
| 2-6p | ±0.15 |
| 7-12p | ±0.20 |
| 13-18p | ±0.25 |
| 19-24p | ±0.30 |

| Solid block | No. of poles | Color | RoHS compliant (lead<4%) In copper Alloy |
|-------------|--------------|---------------------|---|
| 0 | 2 | Black (RAL9005) | |
| 02 | 2 poles | Red (RAL3001/D) | |
| 03 | 3 poles | Orange(RAL2011/P) | |
| ... | ... | 4 Yellow(RAL1018/A) | |
| ... | ... | 5 Green(RAL6018/T) | |
| 24 | 24 poles | 6 Blue (RAL5015/A) | |
| | | 8 Grey(RAL7035/D) | |
| | | 9 White(RAL1102) | |
| | | C Green(RAL6018/U) | |

| | | | | | | | |
|-------------|----------|----|----|-------------------------|---------------------------------------|--|----------------------------------|
| mat'l. code | | | | surface ASME Y14.5 ✓ | tolerance ASME Y14.5 | projection | product family TERMINAL BLOCK |
| ltr | ecn | no | dr | date | tolerances unless otherwise specified | MM | title TERMINAL BLOCK |
| | | | | | angles $\frac{b}{d}$ X±0.5 | scale PLUGGABLE,180D WIRE INLET,SOLID BLOCK | dwg no TYxx01x000J0G |
| | | | | | X*±1" | X.XX±0.1 | sheet 1 of 1 size A4 |
| | | | | | dr EVIN ZHONG 041614 | | type CUSTOMER Drawing |
| | | | | | enrg EVIN ZHONG 041614 | | |
| | | | | | chr HANKE FENG 041614 | | |
| | | | | | appd SHI JUN 041614 | | |
| sheet index | revision | A | | 1 | | | |