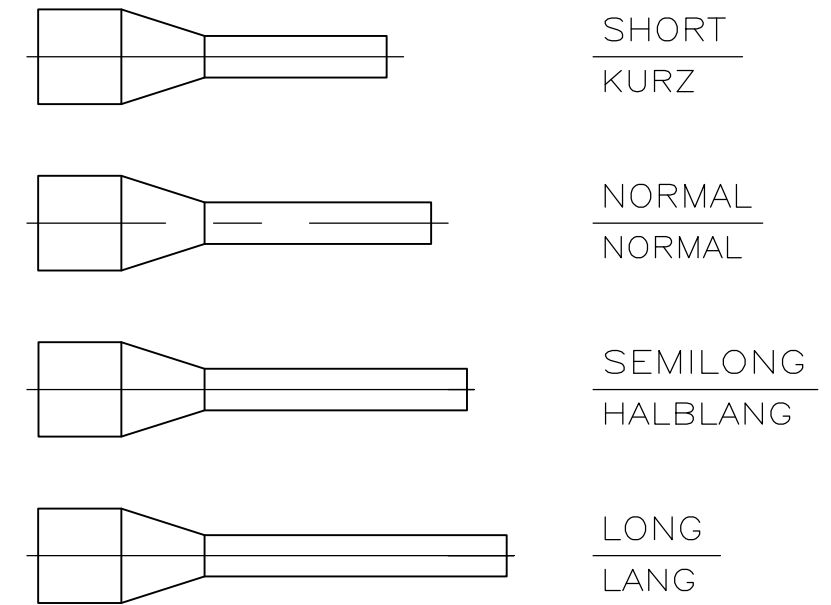
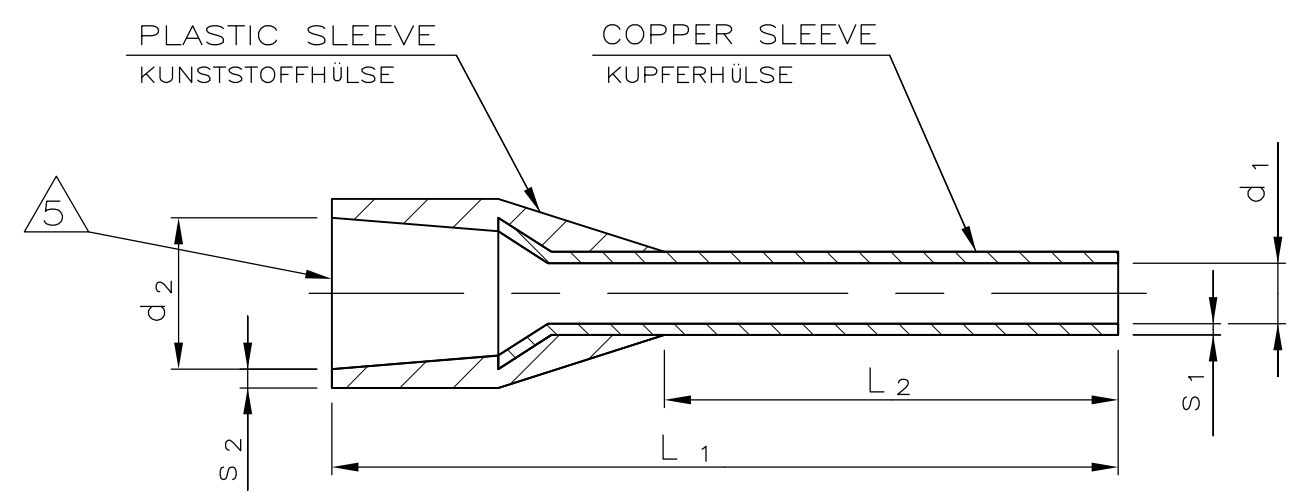


THIS DRAWING IS UNPUBLISHED.  
 VERTRAULICHE UNVERÖFFENTLICHTE ZEICHNUNG  
 © COPYRIGHT - By -  
 RELEASED FOR PUBLICATION  
 FREI FUER VERÖFFENTLICHUNG  
 ALL RIGHTS RESERVED.  
 ALLE RECHTE VORBEHALTEN

LOC	DIST	REVISIONS			
		P	LTR	DESCRIPTION	DATE
A1	-				
		A2		REVISED PER ECR-09-018681	20AUG09
		A3		REVISED PER ECO-10-002990	28JAN10
		A4		ECR-10-026307	20JAN11

ORDER NO. BESTELL-NR.	CROSS-SECTION QUERSCHNITT		STRIP LENGTH ABISOLIER-LÄNGE	TYPE AUSFÜHRUNG	COLOUR FARBE	L <sub>1</sub> /mm	L <sub>2</sub> /mm	d <sub>1</sub> /mm	s <sub>1</sub> /mm	d <sub>2</sub> /mm	s <sub>2</sub> /mm	PACKING UNIT VERPACKUNGS-EINHEIT
	mm <sup>2</sup>	AWG										
966 292-1	0.14	26	8	NORMAL	BROWN	10 ±1.5	6 ±0.4	0.7 +0.14	0.15 ±0.05	1.6 ±0.2	0.25 ±0.10	500
966 292-2	0.14	26	8	LONG	BROWN	12 ±1.5	8 ±0.4	0.7 +0.14	0.15 ±0.05	1.6 ±0.2	0.25 ±0.10	500
966 292-3	0.25	23	10	NORMAL	YELLOW	10 ±1.5	6 ±0.4	0.75 +0.14	0.15 ±0.05	1.8 ±0.2	0.25 ±0.10	500
966 292-4	0.25	23	10	LONG	YELLOW	12 ±1.5	8 ±0.4	0.75 +0.14	0.15 ±0.05	1.8 ±0.2	0.25 ±0.10	500
966 292-5	0.34	22	8	NORMAL	GREEN	10 ±1.5	6 ±0.4	0.8 +0.14	0.15 ±0.05	2.0 ±0.2	0.25 ±0.10	500
966 292-6	0.34	22	10	LONG	GREEN	12 ±1.5	8 ±0.4	0.8 +0.14	0.15 ±0.05	2.0 ±0.2	0.25 ±0.10	500
966 292-7	0.50	20	8	SHORT	WHITE	12 ±1.5	6 ±0.4	1.0 +0.14	0.15 ±0.05	2.6 ±0.2	0.25 ±0.10	500
966 292-8	0.50	20	10	NORMAL	WHITE	14 ±1.5	8 ±0.4	1.0 +0.14	0.15 ±0.05	2.6 ±0.2	0.25 ±0.10	500
966 292-9	0.50	20	12	SEMILONG	WHITE	16 ±1.5	10 ±0.4	1.0 +0.14	0.15 ±0.05	2.6 ±0.2	0.25 ±0.10	500
1-966 292-0	0.75	18	8	SHORT	BLUE	12 ±1.5	6 ±0.4	1.2 +0.14	0.15 ±0.05	2.8 ±0.2	0.25 ±0.10	500
1-966 292-1	0.75	18	10	NORMAL	BLUE	14 ±1.5	8 ±0.4	1.2 +0.14	0.15 ±0.05	2.8 ±0.2	0.25 ±0.10	500
1-966 292-2	0.75	18	12	SEMILONG	BLUE	16 ±1.5	10 ±0.4	1.2 +0.14	0.15 ±0.05	2.8 ±0.2	0.25 ±0.10	500
1-966 292-3	0.75	18	14	LONG	BLUE	18 ±1.5	12 ±0.6	1.2 +0.14	0.15 ±0.05	2.8 ±0.2	0.25 ±0.10	500
1-966 292-4	1.00	17	8	SHORT	RED	12 ±1.5	6 ±0.4	1.4 +0.14	0.15 ±0.05	3.0 ±0.2	0.25 ±0.10	500
1-966 292-5	1.00	17	10	NORMAL	RED	14 ±1.5	8 ±0.4	1.4 +0.14	0.15 ±0.05	3.0 ±0.2	0.25 ±0.10	500
1-966 292-6	1.00	17	12	SEMILONG	RED	16 ±1.5	10 ±0.4	1.4 +0.14	0.15 ±0.05	3.0 ±0.2	0.25 ±0.10	500
1-966 292-7	1.00	17	14	LONG	RED	18 ±1.5	12 ±0.6	1.4 +0.14	0.15 ±0.05	3.0 ±0.2	0.25 ±0.10	500
1-966 292-8	1.50	16	10	NORMAL	BLACK	14 ±1.5	8 ±0.4	1.7 +0.25	0.15 ±0.05	3.5 ±0.2	0.25 ±0.10	500
1-966 292-9	1.50	16	12	SEMILONG	BLACK	16 ±1.5	10 ±0.4	1.7 +0.25	0.15 ±0.05	3.5 ±0.2	0.25 ±0.10	500
2-966 292-0	1.50	16	20	LONG	BLACK	24 ±2.0	18 ±0.6	1.7 +0.25	0.15 ±0.05	3.5 ±0.2	0.25 ±0.10	500
2-966 292-1	2.50	14	10	NORMAL	GREY	14 ±1.5	8 ±0.4	2.2 +0.25	0.15 ±0.05	4.2 ±0.2	0.25 ±0.10	500
2-966 292-2	2.50	14	14	SEMILONG	GREY	18 ±1.5	12 ±0.6	2.2 +0.25	0.15 ±0.05	4.2 ±0.2	0.25 ±0.10	500
2-966 292-3	2.50	14	20	LONG	GREY	24 ±2.0	18 ±0.6	2.2 +0.25	0.15 ±0.05	4.2 ±0.2	0.25 ±0.10	500
2-966 292-4	4.00	11	11	NORMAL	ORANGE	17 ±1.5	10 ±0.4	2.8 +0.25	0.20 ±0.05	4.8 ±0.4	0.30 ±0.10	500
2-966 292-5	4.00	11	14	SEMILONG	ORANGE	20 ±1.5	12 ±0.6	2.8 +0.25	0.20 ±0.05	4.8 ±0.4	0.30 ±0.10	500
2-966 292-6	4.00	11	20	LONG	ORANGE	26 ±2.0	18 ±0.6	2.8 +0.25	0.20 ±0.05	4.8 ±0.4	0.30 ±0.10	500
2-966 292-7	6.00	10	14	NORMAL	GREEN	20 ±1.5	12 ±0.6	3.5 +0.30	0.20 ±0.05	6.3 ±0.4	0.30 ±0.10	100
2-966 292-8	6.00	10	20	LONG	GREEN	26 ±2.0	18 ±0.6	3.5 +0.30	0.20 ±0.05	6.3 ±0.4	0.30 ±0.10	100
2-966 292-9	10.00	7	15	NORMAL	BROWN	22 ±2.0	12 ±0.6	4.5 +0.30	0.20 ±0.05	7.6 ±0.4	0.40 ±0.15	100
3-966 292-0	10.00	7	21	LONG	BROWN	28 ±2.0	18 ±0.6	4.5 +0.30	0.20 ±0.05	7.6 ±0.4	0.40 ±0.15	100
3-966 292-1	16.00	6	15	NORMAL	IVORY	24 ±2.0	12 ±0.6	5.8 +0.30	0.20 ±0.05	8.8 ±0.4	0.40 ±0.15	100
3-966 292-2	16.00	6	21	LONG	IVORY	28 ±2.0	18 ±0.6	5.8 +0.30	0.20 ±0.05	8.8 ±0.4	0.40 ±0.15	100
3-966 292-3	25.00	3	19	NORMAL	BLACK	30 ±2.0	16 ±0.6	7.3 +0.40	0.20 ±0.05	11.2 ±0.5	0.40 ±0.15	50
3-966 292-4	25.00	3	25	LONG	BLACK	36 ±2.0	22 ±0.6	7.3 +0.40	0.20 ±0.05	11.2 ±0.5	0.40 ±0.15	50
3-966 292-5	35.00	2	19	NORMAL	RED	30 ±2.0	16 ±0.6	8.3 +0.40	0.20 ±0.05	12.7 ±0.5	0.40 ±0.15	50
3-966 292-6	35.00	2	28	LONG	RED	39 ±2.0	25 ±0.6	8.3 +0.40	0.20 ±0.05	12.7 ±0.5	0.40 ±0.15	50
3-966 292-7	50.00	1	25	NORMAL	BLUE	36 ±2.0	20 ±0.6	10.3 +0.40	0.30 ±0.05	15.0 ±1.0	0.50 ±0.15	50
3-966 292-8	50.00	1	30	LONG	BLUE	40 ±2.0	25 ±0.6	10.3 +0.40	0.30 ±0.05	15.0 ±1.0	0.50 ±0.15	50
3-966 292-9	70.00	1	-	NORMAL	YELLOW	37 ±2.0	21 ±1.0	13.5 +0.50	0.40 ±0.10	16.0 ±1.5	0.60 ±0.20	25
4-966 292-0	95.00	1	-	NORMAL	RED	44 ±2.0	25 ±1.0	14.7 +0.50	0.40 ±0.10	18.0 ±1.5	0.60 ±0.20	25
4-966 292-1	120.00	1	-	NORMAL	BLUE	48 ±2.0	27 ±1.0	16.7 +0.50	0.45 ±0.10	20.0 ±1.5	0.70 ±0.20	25
4-966 292-2	150.00	1	-	NORMAL	YELLOW	58 ±2.0	32 ±1.0	19.5 +0.50	0.50 ±0.10	23.0 ±1.5	1.00 ±0.20	25



- ① THE AWG CROSS-SECTION CAN DIFFER SLIGHTLY TO THE DIN-STANDARD CROSS-SECTION VALUES.
  - ② RECOMMENDED STRIP LENGTH
  - ③ TUBULAR END-SLEEVES PACKED INTO PLASTIC BAG
  - ④ COLOUR TYPE 1: COLOURS PER TELEMECANIQUE STANDARD
  - ⑤ MAX.INSULATION DIA. OF WIRE: d<sub>2</sub> MIN.-0.1
  - 6. USE HAND TOOL 539660-1
  - ⑦ OBSOLETE PARTS: OBSOLETE CIS STREAMLINING PER D.RENAUD/D.SINISI
- ① DER AWG-QUERSCHNITT KANN VON DEN DIN-NORM QUERSCHNITTSWERTEN GERINGFÜGIG ABWEICHEN.
  - ② EMPFOHLENE ABISOLIERLÄNGE
  - ③ ADERENDHÜLSEN IN PLASTIKBEUTEL VERPACKT
  - ④ FARBREIHE 1: FARBEN NACH TELEMECANIQUE STANDARD
  - ⑤ MAX.ISOLATIONS-Ø DER LEITUNG: d<sub>2</sub> MIN.-0.1
  - 6. BENUTZEN SIE HANDWERKZEUG 539660-1

THIS DRAWING IS A CONTROLLED DOCUMENT. DIESE ZEICHNUNG IST EIN KONTROLLIERTES DOKUMENT.		DWN R.SCHMIDT 10-NOV-93	TE Connectivity	
DIMENSIONS: MASSENHEITEN mm		CHK W.BÖCK 15-JUN-94		
TOLERANCES UNLESS OTHERWISE SPECIFIED: ALLGEMEINTOLERANZEN		APVD G.FELDMEIER 29-NOV-00	NAME	
		PRODUCT SPEC PRODUKTSPEZ.	TUBULAR END-SLEEVE WITH PLASTIC SLEEVE	
MATERIAL PP/E-Cu		APPLICATION SPEC. VERARBEITUNGSSPEZ.	COLOUR TYPE 1, NOT PER DIN	
FINISH/OBERFL.: S <sub>n</sub> COLOUR: SEE TABLE FARBE: SIEHE TABELLE		WEIGHT GEWICHT	SIZE A2	RESTRICTED TO NUR FUER
CUSTOMER DRAWING / KUNDENZEICHNUNG		SCALE MASSSTAB	DRAWING NO. ZEICHNUNGS-NR. C=966292	REVISIONS ÄNDERUNGEN
		SHEET BLATT	1 OF VON 1	REV A4