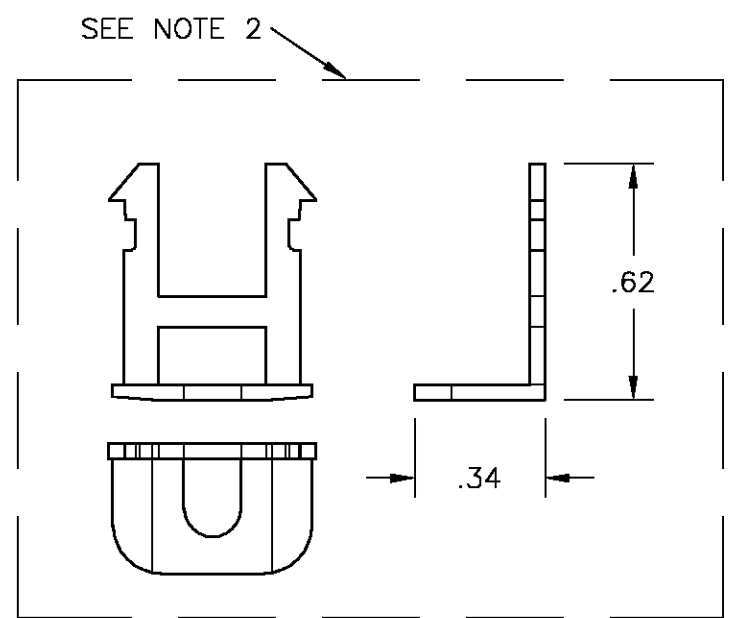
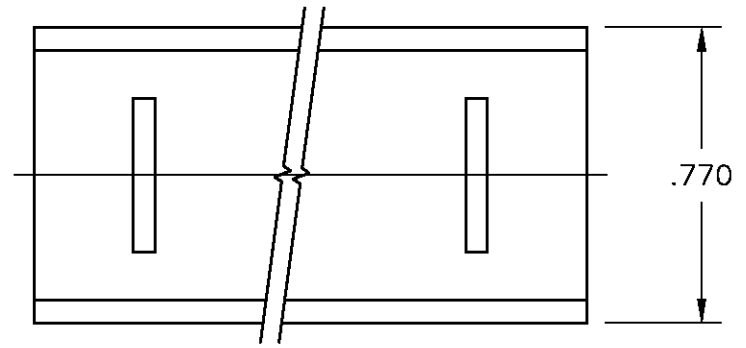
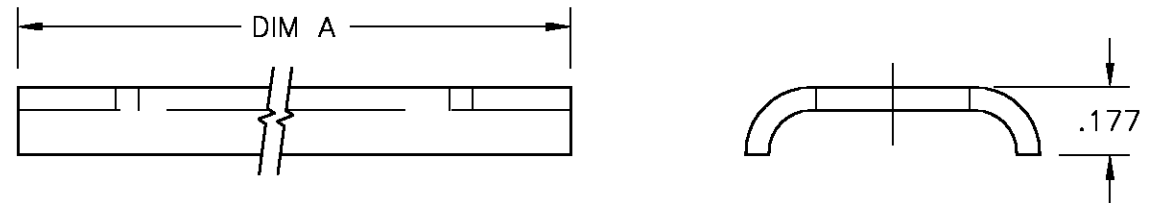


THIS DRAWING IS UNPUBLISHED. RELEASED FOR PUBLICATION
 © COPYRIGHT BY TYCO ELECTRONICS CORPORATION. ALL RIGHTS RESERVED.

| LOC | DIST | REVISIONS | | | |
|-----|------|-------------|--------------------------|---------|--------|
| P | LTR | DESCRIPTION | DATE | DWN | APVD |
| FT | 0 | C | REVISED PER 0G3B-0339-04 | 4/14/04 | SS SRY |

- NOTE:
1. TERMINAL COVER MADE FROM 640-0442-00.
 2. COVER MOUNTS(2 PER TERMINAL COVER) ARE BULK PACKED UNLESS OTHERWISE SPECIFIED.



| | | |
|------|-----------|-------------|
| 9.69 | TC9-24-AG | 2-1776049-4 |
| 9.32 | TC9-23-AG | 2-1776049-3 |
| 8.94 | TC9-22-AG | 2-1776049-2 |
| 8.57 | TC9-21-AG | 2-1776049-1 |
| 8.19 | TC9-20-AG | 2-1776049-0 |
| 7.82 | TC9-19-AG | 1-1776049-9 |
| 7.44 | TC9-18-AG | 1437645-5 |
| 7.07 | TC9-17-AG | 1-1776049-7 |
| 6.69 | TC9-16-AG | 1-1776049-6 |
| 6.32 | TC9-15-AG | 1-1776049-5 |
| 5.94 | TC9-14-AG | 1437645-4 |
| 5.57 | TC9-13-AG | 1-1776049-3 |
| 5.19 | TC9-12-AG | 1-1776049-2 |
| 4.82 | TC9-11-AG | 2-1437645-1 |
| 4.44 | TC9-10-AG | 1-1776049-0 |
| 4.07 | TC9-09-AG | 1437645-2 |
| 3.69 | TC9-08-AG | 1437645-1 |
| 3.32 | TC9-07-AG | 9-1437644-9 |
| 2.94 | TC9-06-AG | 9-1437644-8 |
| 2.57 | TC9-05-AG | 9-1437644-6 |
| 2.19 | TC9-04-AG | 9-1437644-4 |
| 1.82 | TC9-03-AG | 9-1437644-3 |
| 1.44 | TC9-02-AG | 9-1437644-2 |

| DIM A | CATALOG NUMBER | TYCO PART NO. |
|-------|----------------|---------------|
|-------|----------------|---------------|

| | | | | | |
|--|--|-----------------------------------|---|------------|---------------|
| THIS DRAWING IS A CONTROLLED DOCUMENT. | | DWN E. ZANOLINI 05MAR2002 | BUCHANAN Tyco Electronics Corporation Harrisburg, Pa 17105-3608 | | |
| DIMENSIONS: INCHES | | CHK E. ZANOLINI 05MAR2002 | | | |
| TOLERANCES UNLESS OTHERWISE SPECIFIED: 0 PLC ± - 1 PLC ± - 2 PLC ± .02 3 PLC ± .010 4 PLC ± - ANGLES ± 1/2 | | APVD D. BIEVENOUR 05MAR2002 | NAME TERMINAL COVER W/COVER MOUNTS | | |
| MATERIAL | | PRODUCT SPEC | SIZE | | |
| FINISH | | APPLICATION SPEC | CAGE CODE | DRAWING NO | RESTRICTED TO |
| | | WEIGHT | A3 00779 C-9-1437644-2 | | |
| CUSTOMER DRAWING | | | SCALE | SHEET | REV |
| | | | 1:1 | 1 OF 1 | C |