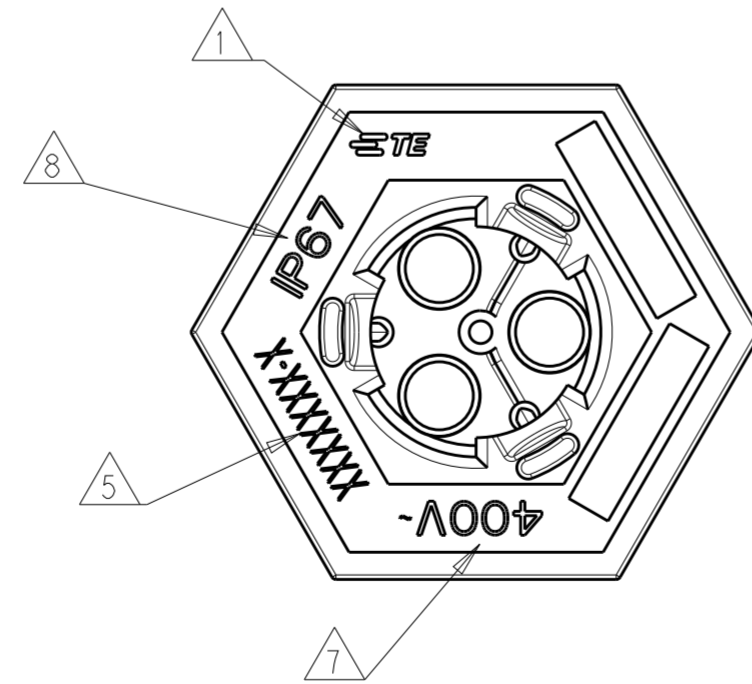
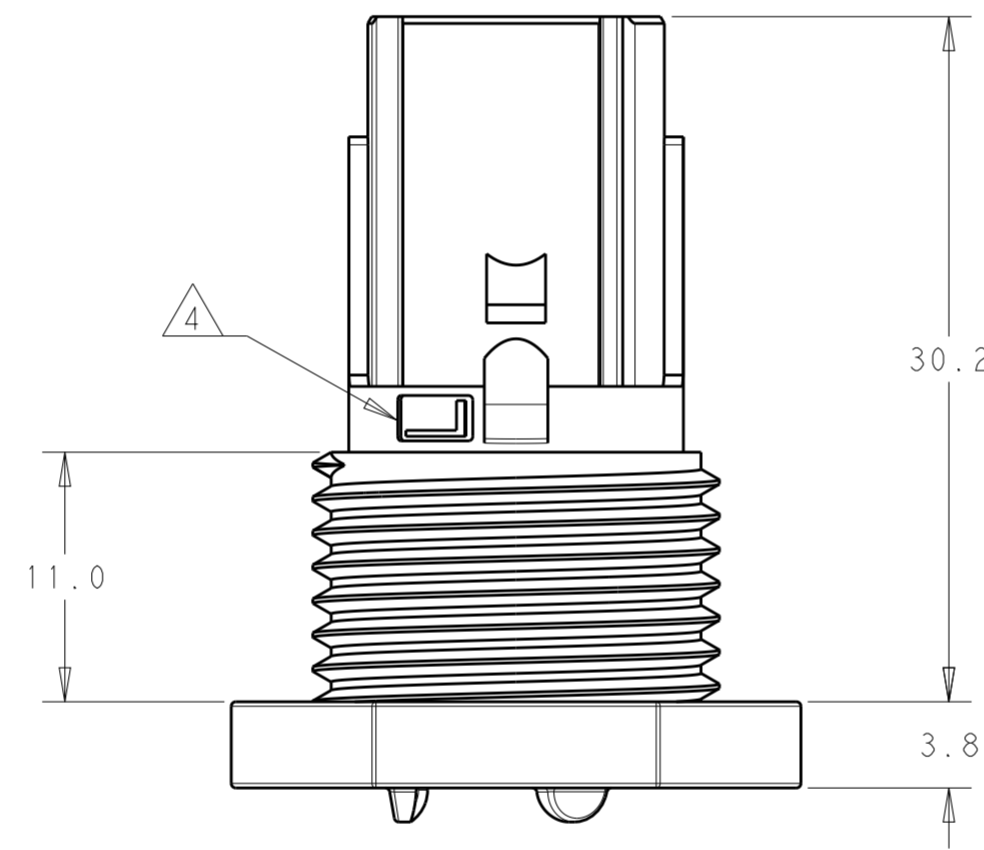
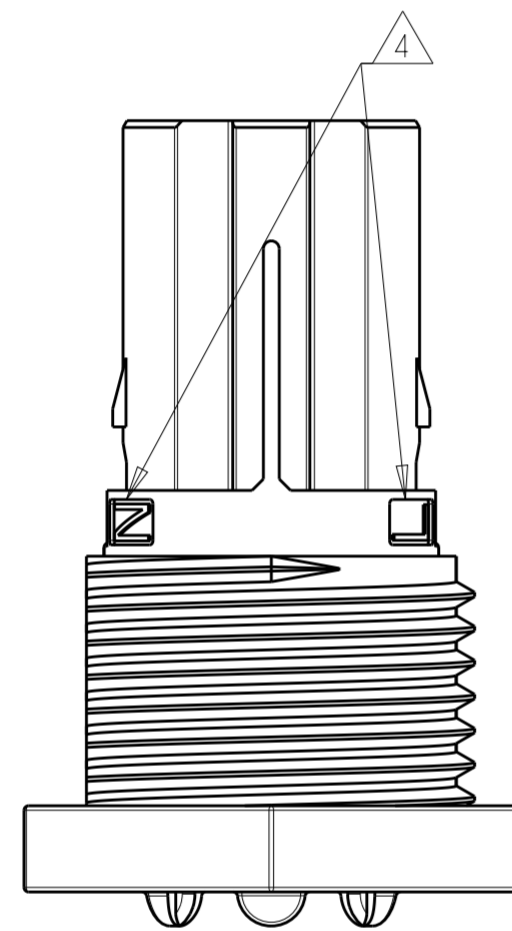
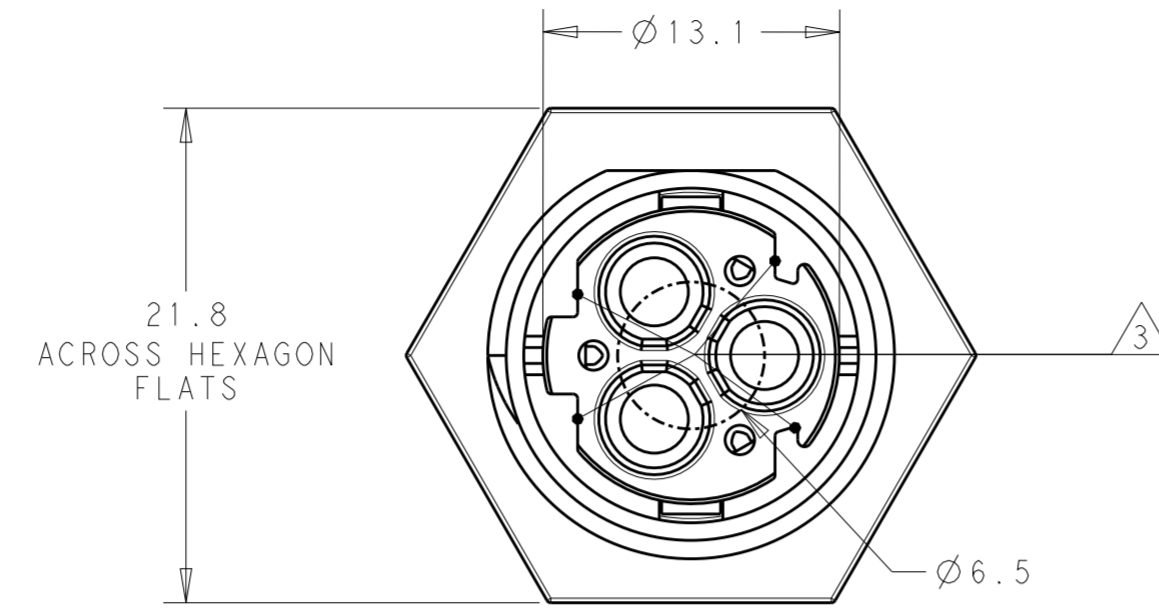


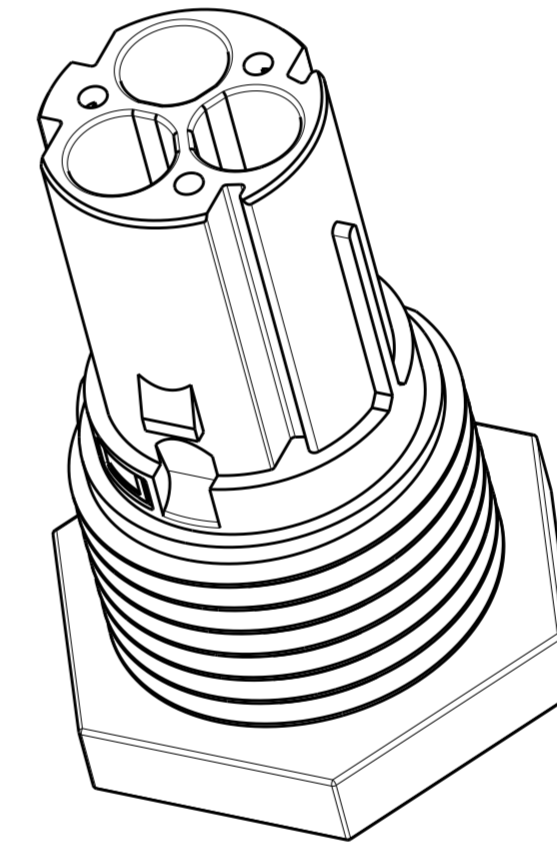
THIS DRAWING IS UNPUBLISHED. RELEASED FOR PUBLICATION 20
 © COPYRIGHT 20 BY - ALL RIGHTS RESERVED.

REVISIONS					
P	LTR	DESCRIPTION	DATE	DWN	APVD
A		REVISED AS PER ECR-15-005925	21APR2015	RS	JL
B		REVISED AS PER ECR-15-009789	07JUL2015	RS	JL
B1		REVISED AS PER ECR-15-011223	06AUG2015	RS	JL



NOTES:

- MATERIAL: GLASS FILLED PBT, COLOR: BLACK
- MUST COMPLY WITH DIRECTIVE 2002/95/EC (ROHS)
- ALL POLARIZATION KEYS SHOWN FOR REF ONLY.
- CIRCUIT I.D.
- TE PART NUMBER
- TE LOGO
- VOLTAGE RATING
- IP CODE
- THIS PRODUCT HAS NOT COMPLETED VALIDATION TESTING



C	PANEL MOUNT PIN SEALED NECTOR 3 POSITION	2213464-3
B	PANEL MOUNT PIN SEALED NECTOR 3 POSITION	2213464-2
A	PANEL MOUNT PIN SEALED NECTOR 3 POSITION	2213464-1
POLARIZATION TYPE	DESCRIPTION	PART NUMBER

DIMENSIONS:		TOLERANCES UNLESS OTHERWISE SPECIFIED:		APVD		NAME	
mm	0 PLC	±		20MAR2014		DWN J. SHAFFER	
	1 PLC	±0.3		20MAR2014		CHK M. LUKSIC	
	2 PLC	±0.20		20MAR2014		APVD M. LUKSIC	
	3 PLC	±		PRODUCT SPEC		108-133014	
	4 PLC	±		APPLICATION SPEC		114-32111	
	ANGLES	±3°		WEIGHT		-	
	FINISH	-		SCALE		2:1	
MATERIAL	TBD	-		SHEET		1 OF 2	
	-	-		REV		B1	



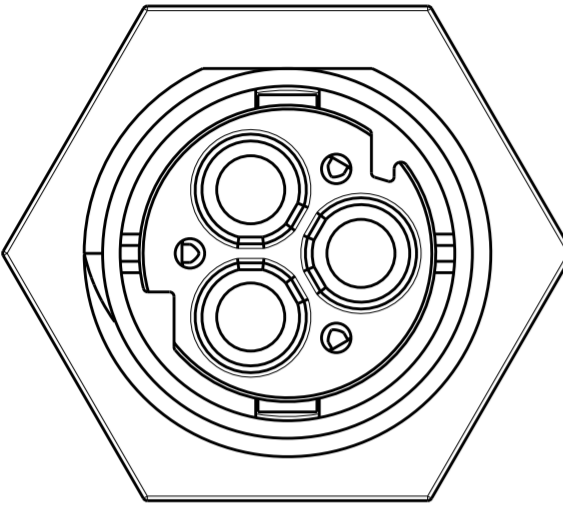
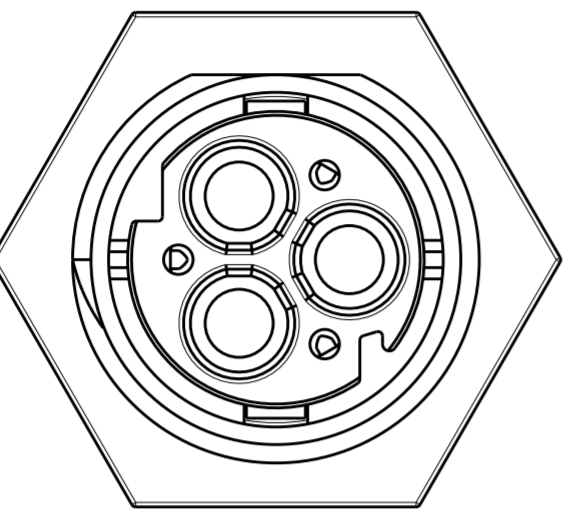
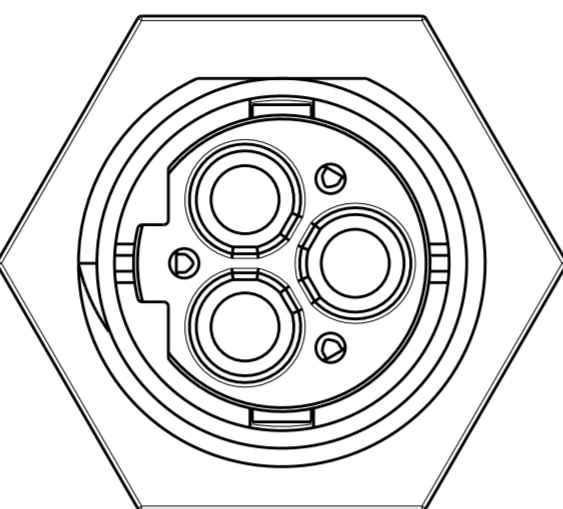
PANEL MOUNT, PIN; SEALED NECTOR M 3 POSITION

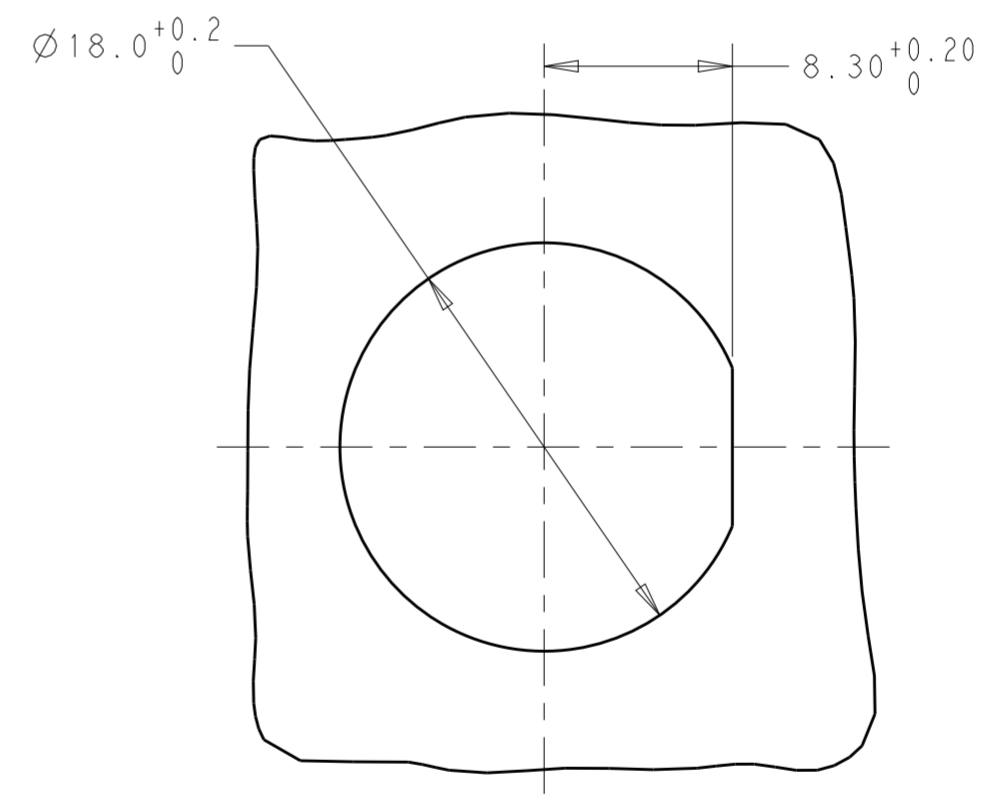
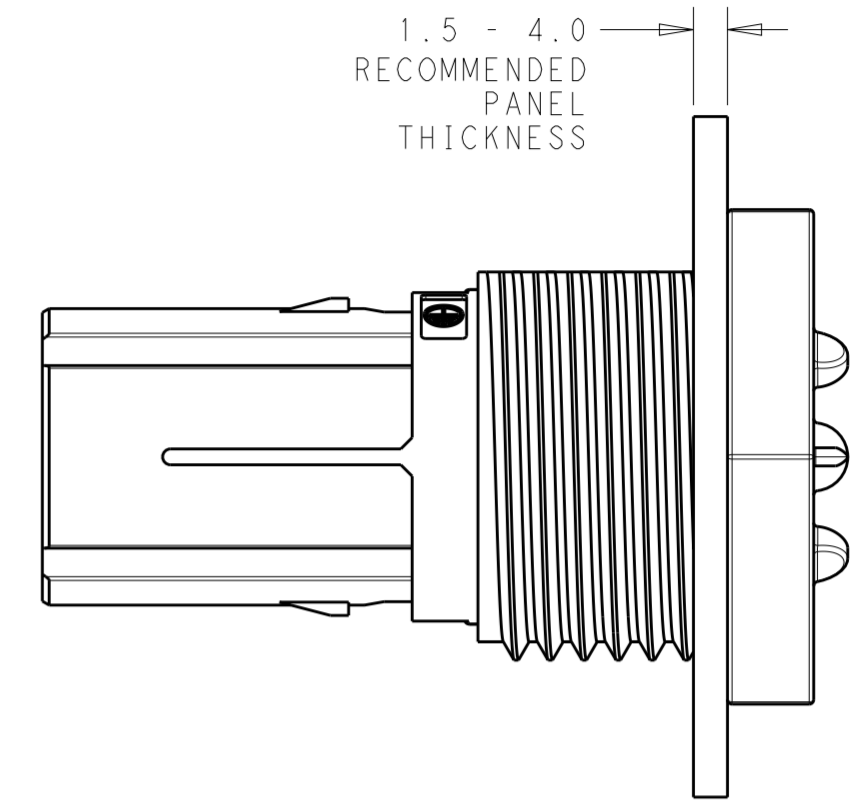
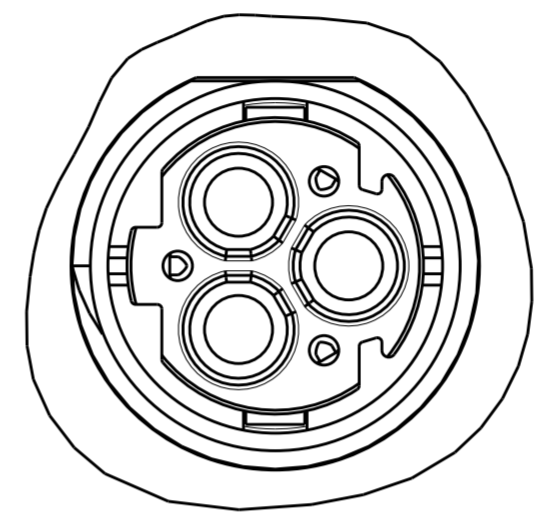
SIZE: A2 CAGE CODE: - DRAWING NO: C-2213464 RESTRICTED TO: -

Customer Drawing SCALE: 2:1 SHEET: 1 OF 2 REV: B1

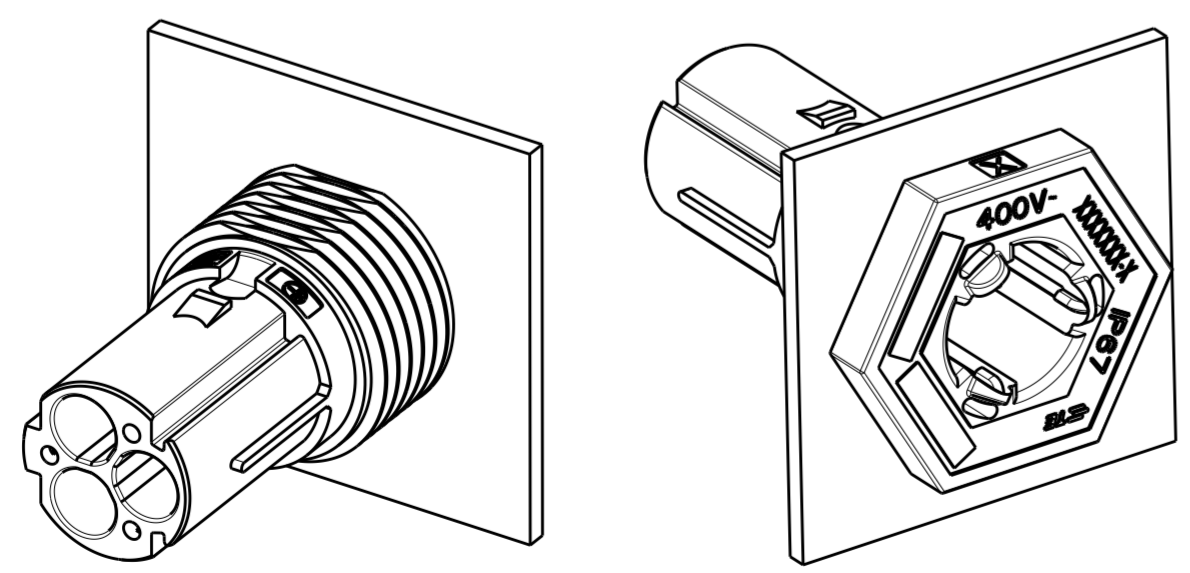
REVISIONS				
P	LTR	DESCRIPTION	DATE	APVD
-		SEE SHEET 1	-	-

POLARIZATION TYPES


POLARIZATION TYPE "A"	POLARIZATION TYPE "B"	POLARIZATION TYPE "C"
		
PN 2213464-1	PN 2213464-2	PN 2213464-3



RECOMMENDED
PANEL CUTOUT



3D VIEWS
FOR REFERENCE ONLY

THIS DRAWING IS A CONTROLLED DOCUMENT.		DWN J. SHAFFER 20MAR2014	 TE Connectivity	
DIMENSIONS: mm		CHK M. LUKSIC 20MAR2014		
TOLERANCES UNLESS OTHERWISE SPECIFIED:		APVD M. LUKSIC 20MAR2014	NAME PANEL MOUNT, PIN; SEALED NECTOR M 3 POSITION	
0 PLC ±	1 PLC ±0.3	PRODUCT SPEC 108-133014	SIZE A2	CAGE CODE -
2 PLC ±0.20	3 PLC ±	APPLICATION SPEC 114-32111	DRAWING NO. G-2213464	RESTRICTED TO -
4 PLC ±	ANGLES ±3°	WEIGHT -	SCALE 2:1	SHEET 2 OF 2
MATERIAL TBD	FINISH -	Customer Drawing	REV B1	