

Customer Information Sheet

DRAWING No.: M50-20X0005

SHEET 2 OF 2

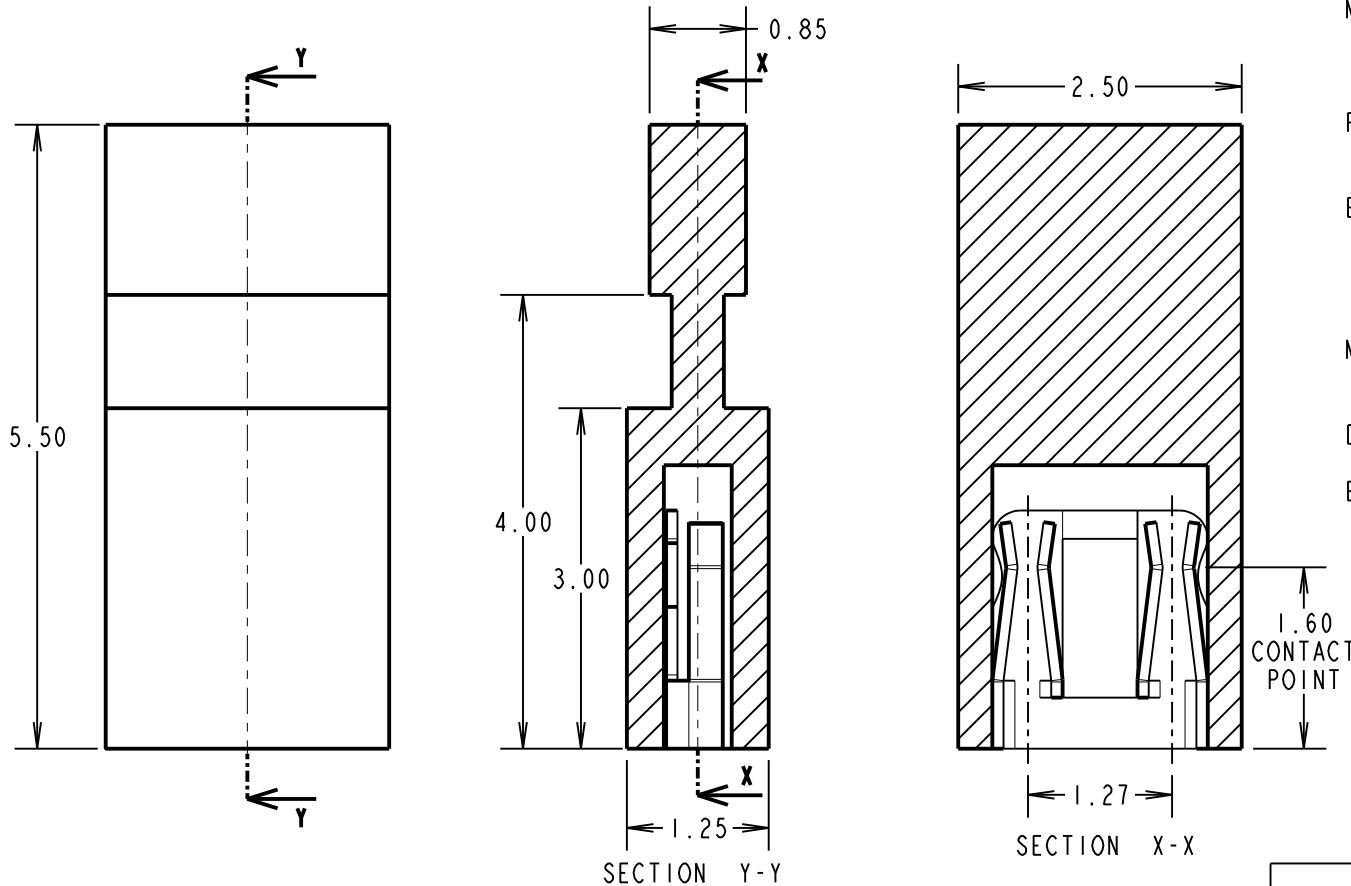
IF IN DOUBT - ASK

©

NOT TO SCALE

THIRD ANGLE PROJECTION

ALL DIMENSIONS IN mm



SPECIFICATION.

MATERIAL:

INSULATOR = PBT, UL94V-0
FOR COLOUR SEE TABLE

CONTACT = COPPER ALLOY

FINISH:

0.025 μ MIN GOLD FLASH OVER

0.81 μ MIN NICKEL

ELECTRICAL:

CURRENT RATING = 1 AMP

INSULATION RESISTANCE = 1000M Ω MIN.

CONTACT RESISTANCE = 20m Ω MAX

DIELECTRIC VOLTAGE = 500V AC FOR ONE MINUTE

MECHANICAL:

INSERTION FORCE = 10.0N MAX

WITHDRAWAL FORCE = 0.6N MIN

DURABILITY:

300 OPERATIONS

ENVIRONMENTAL:

OPERATING TEMPERATURE = -40°C TO +105°C

MSP	3	18.04.17	20396
NAME	ISS.	DATE	C/NOTE
APPROVED:		M.PERREN	
CHECKED:		S.BENNETT	
DRAWN:		R.ADDE	
CUSTOMER REF.:			
ASSEMBLY DRG:			

NOTES:
1. ALL TOLERANCES ARE ± 0.12 UNLESS OTHERWISE STATED.

PART No.	COLOUR
M50-2000005	BLACK
M50-2020005	RED
M50-2030005	BLUE

HARWIN

www.harwin.com
technical@harwin.com

THIS DRAWING AND ANY INFORMATION OR DESCRIPTIVE MATTER SET OUT HEREON ARE CONFIDENTIAL AND COPYRIGHT PROPERTY OF THE HARWIN GROUP AND MUST NOT BE DISCLOSED, LOANED, COPIED OR USED FOR MANUFACTURING, TENDERING OR FOR ANY OTHER PURPOSE WITHOUT THEIR WRITTEN PERMISSION.

TOLERANCES
~~X = ± 1 mm
X.X = ± 0.50 mm
X.XX = ± 0.10 mm
X.XXX = ± 0.01 mm
ANGLES = $\pm 5^\circ$
UNLESS STATED~~

MATERIAL:
SEE ABOVE

FINISH: SEE ABOVE

S/AREA: mm²

TITLE:
1.27mm JUMPER SOCKET
(WITH HANDLE)

DRAWING NUMBER:
M50-20X0005

SHT
2
OF
2