

Customer Information Sheet

DRAWING No.: SI621-XX

SHEET 2 OF 2

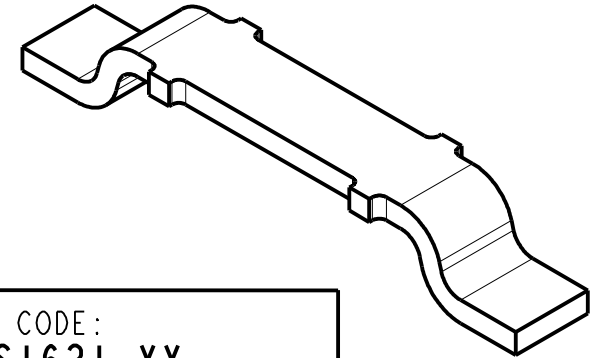
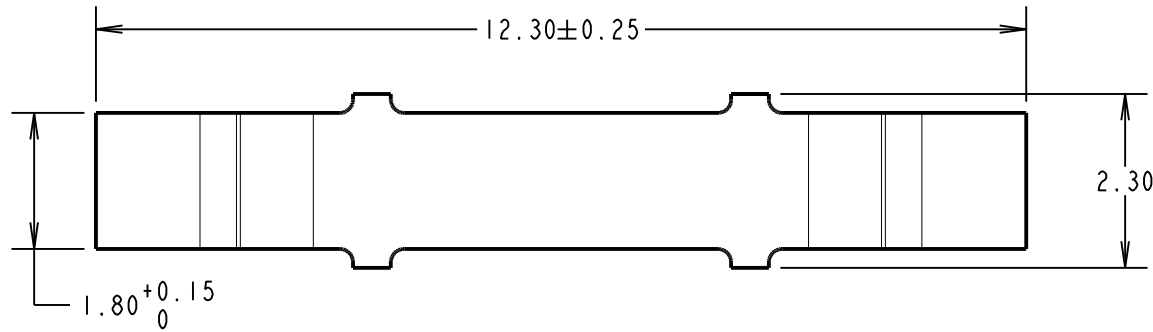
IF IN DOUBT - ASK



NOT TO SCALE

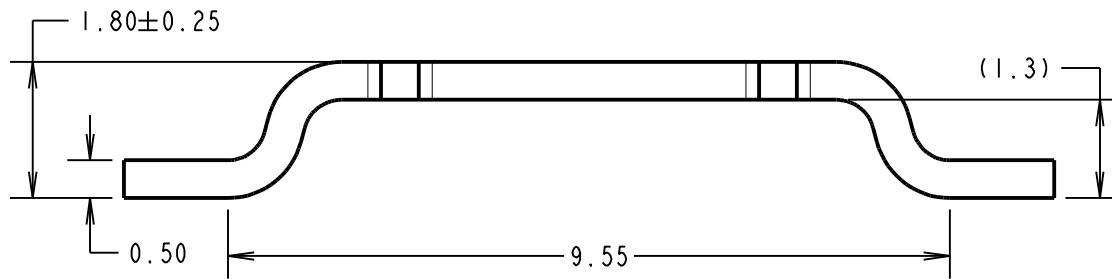
THIRD ANGLE PROJECTION

ALL DIMENSIONS IN mm



ORDER CODE:
SI621-XX

FINISH _____
06 = 4μ 90/10 TIN/LEAD OVER NICKEL
46 = 3μ 100% TIN OVER NICKEL



COMPONENT SPECIFICATION:

MATERIAL = BRASS CW508L 1/2 HARD

FINISH

06 = 4μ 90/10 TIN/LEAD

46 = 4μ 100% TIN

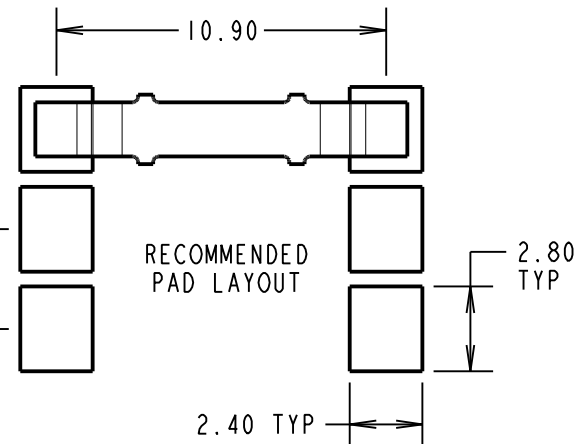
ELECTRICAL:

CURRENT RATING = 10A (30°C TEMP RISE)

CONTACT RESISTANCE = 20mΩ MAX

ENVIRONMENTAL:

OPERATING TEMPERATURE = -40°C TO +125°C



MSP	11	12.10.15	13113
NAME	ISS.	DATE	C/NOTE
APPROVED:		M. PERREN	
CHECKED:		S. BENNETT	
DRAWN:		W. J. BOURNE	
CUSTOMER REF.:			
ASSEMBLY DRG:			

- FOR TAPE AND REELED COMPONENT, SEE DRAWING SI62-XXR.
- PACKING: 1000 COMPONENTS PER BAG.

HARWIN

www.harwin.com
technical@harwin.com

THIS DRAWING AND ANY INFORMATION OR DESCRIPTIVE MATTER SET OUT HEREON ARE CONFIDENTIAL AND COPYRIGHT PROPERTY OF THE HARWIN GROUP AND MUST NOT BE DISCLOSED, LOANED, COPIED OR USED FOR MANUFACTURING, TENDERING OR FOR ANY OTHER PURPOSE WITHOUT THEIR WRITTEN PERMISSION.

TOLERANCES

X. = ±1mm
X.X = ±0.50mm
X.XX = ±0.10mm
X.XXX = ±0.01mm

ANGLES = ±5°
UNLESS STATED

MATERIAL:

BRASS CW508L

FINISH: SEE ORDER CODE

S/AREA: mm²

TITLE:

SURFACE MOUNT JUMPER
(LOOSE)

DRAWING NUMBER:

SI621-XX

SHT
2 OF 2