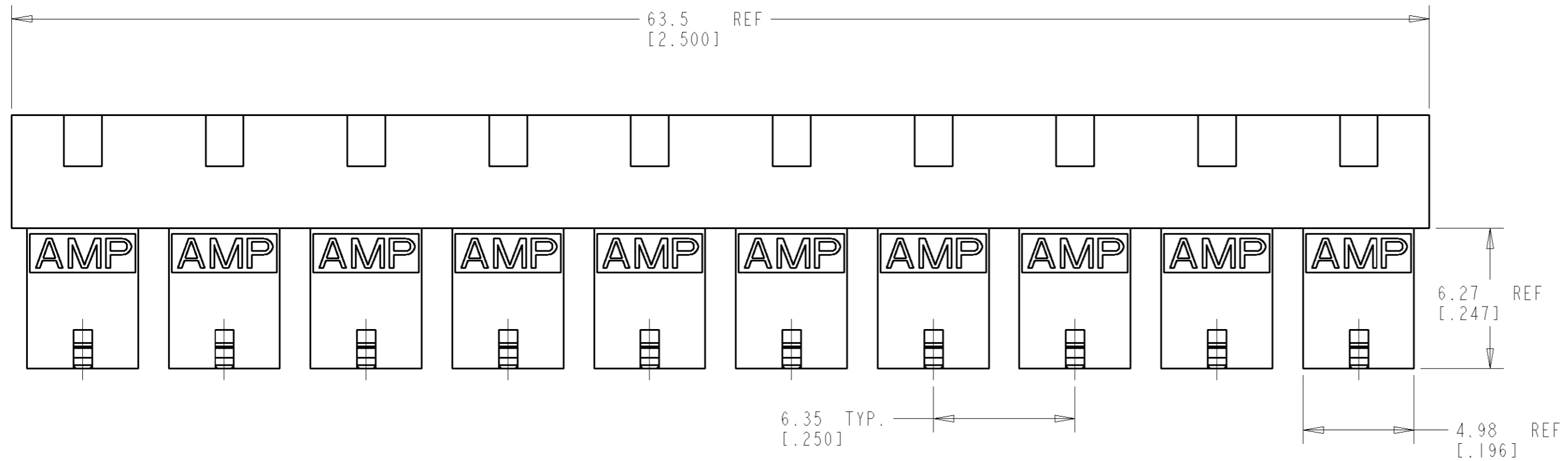
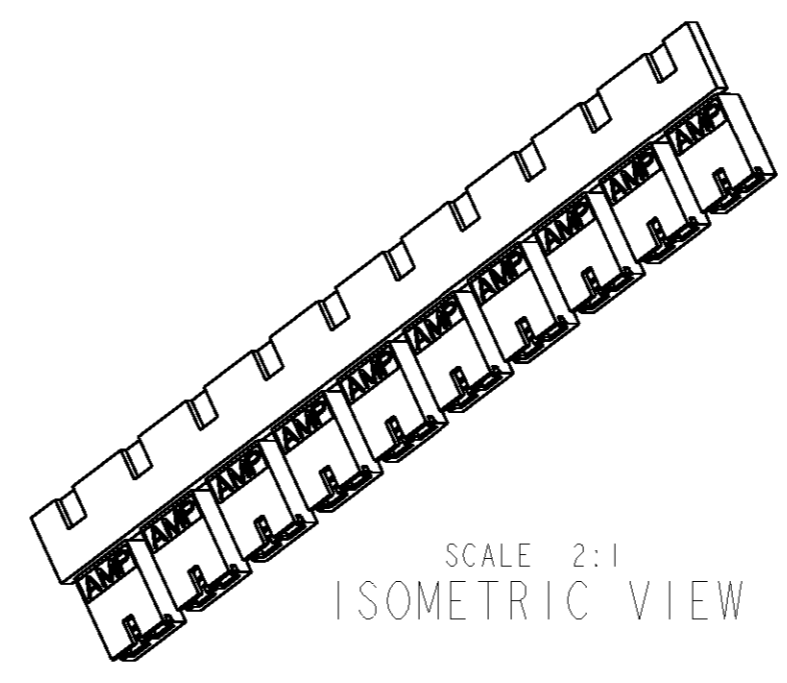
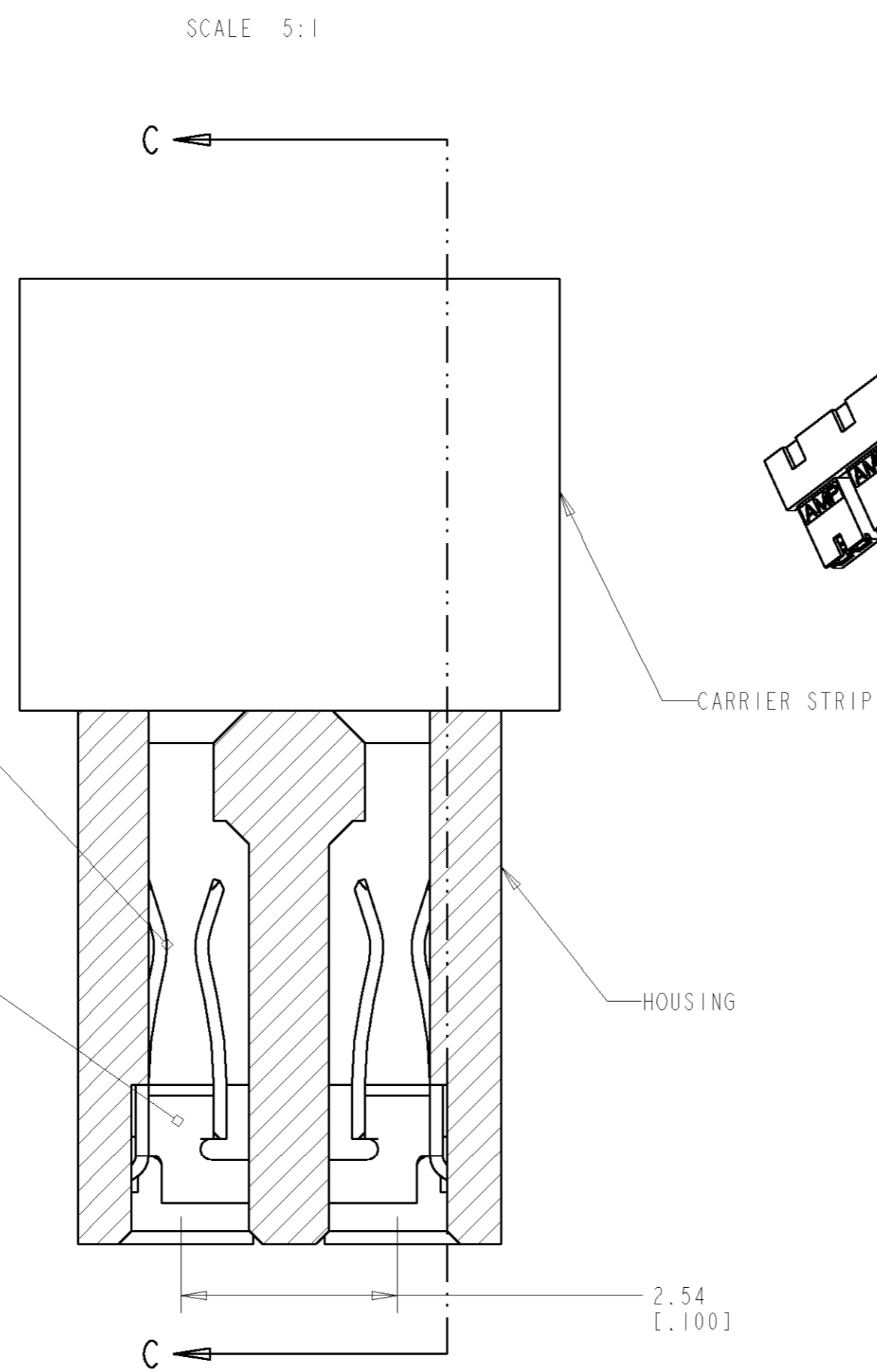
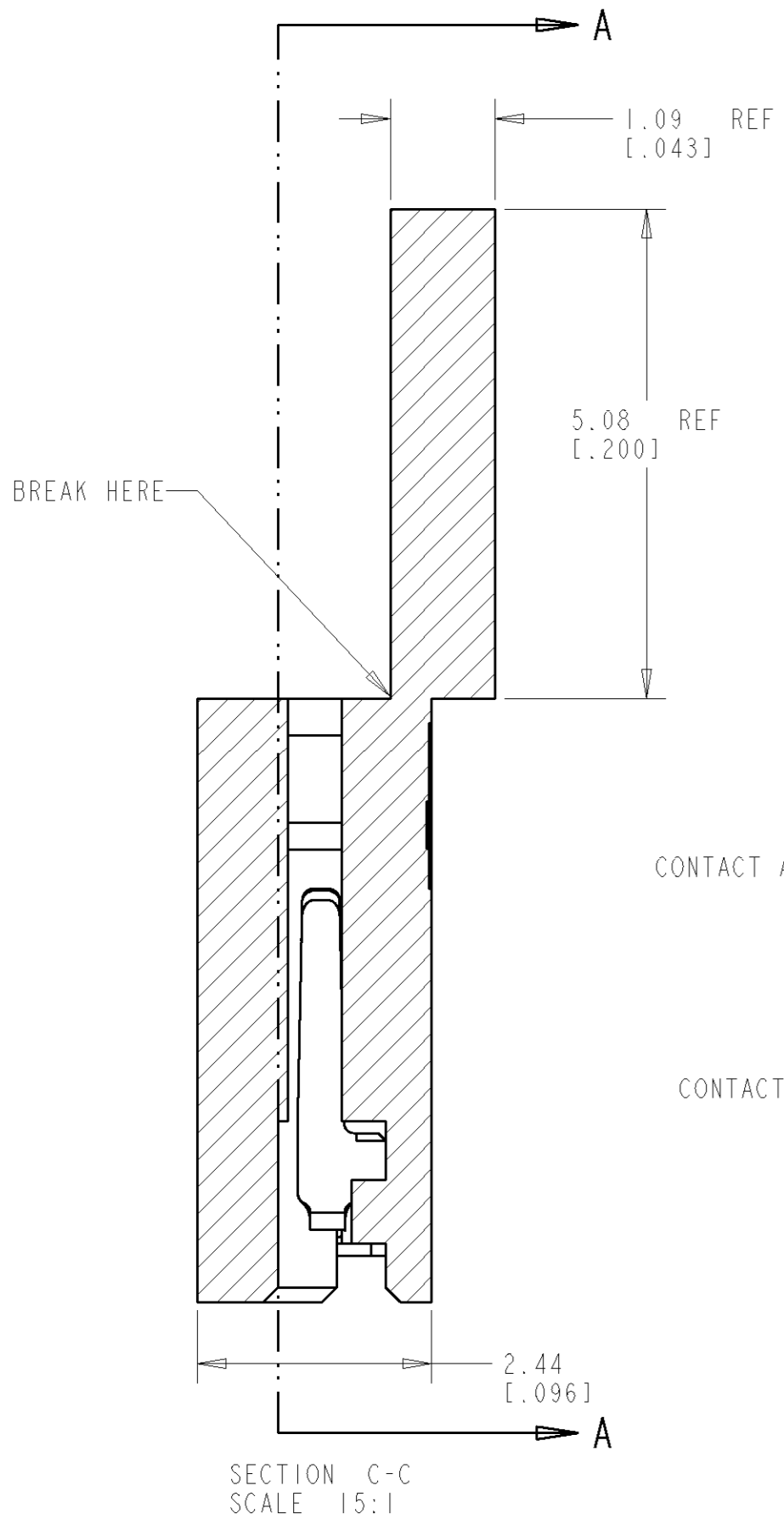


LOC	DIST	REVISIONS			
P	LTR	DESCRIPTION	DATE	DWN	APVD
AG	53	A2	REVISED PER ECO-11-005140	19APR11	RK HMR



- MATERIAL:
HOUSING: GLASS-FILLED POLYESTER
CONTACT: PHOSPHOR BRONZE
- CONNECTOR MATES WITH 0.64 [0.025] SQUARE POSTS.
- PART DENOTES INDIVIDUAL TWO POSITION SHUNT WHICH IS PACKAGED ON BREAKAWAY COMBS OF TEN SHUNTS.
 - 4 ASSEMBLIES ARE DELIVERED IN STICKS OF TEN PARTS.
 - 5 FINISH: 1.27µm [0.000050] MIN NICKEL UNDERPLATE OVERALL.
 - 6 FINISH: 0.76µm [0.000030] MIN GOLD IN CONTACT AREA.
 - 7 FINISH: 0.38µm [0.000015] MIN GOLD IN CONTACT AREA.
 - 8 OBSOLETE PARTS: OBSOLETE CIS STREAMLINING PER D.RENAUD/D.SINISI



HOUSING COLOR	PLATING	SIZE	PART NUMBER	NOTES
YELLOW		30AU	390088-5	4 5 6
BLUE		15AU	390088-4	4 5 7
BLUE		30AU	390088-3	4 5 6
BLACK		15AU	390088-2	4 5 7
BLACK		30AU	390088-1	4 5 6
HOUSING COLOR	GOLD PLATING		PART NUMBER	NOTES

DIMENSIONS: MM [INCH]		TOLERANCES UNLESS OTHERWISE SPECIFIED:		DWN: 22-Sep-99 D. WIEBKING		TE Connectivity	
SEE NOTE 1		SEE NOTE 3		CHK: 14-NOV-97 DGH			
MATERIAL: -		FINISH: -		APVD: 14-NOV-97 PPS		NAME: SHUNT, DUAL BEAM .100 CL	
CUSTOMER DRAWING		SCALE: SHT		WEIGHT: -		DRAWING NO: 390088	
				APPLIC. SPEC: -		SIZE: A2	
				PRODUCT SPEC: -		CAGE CODE: 00779	
				APPLICATION SPEC: -		SHEET 1 OF 1	
				DRAWING NO: 390088		REV: A2	