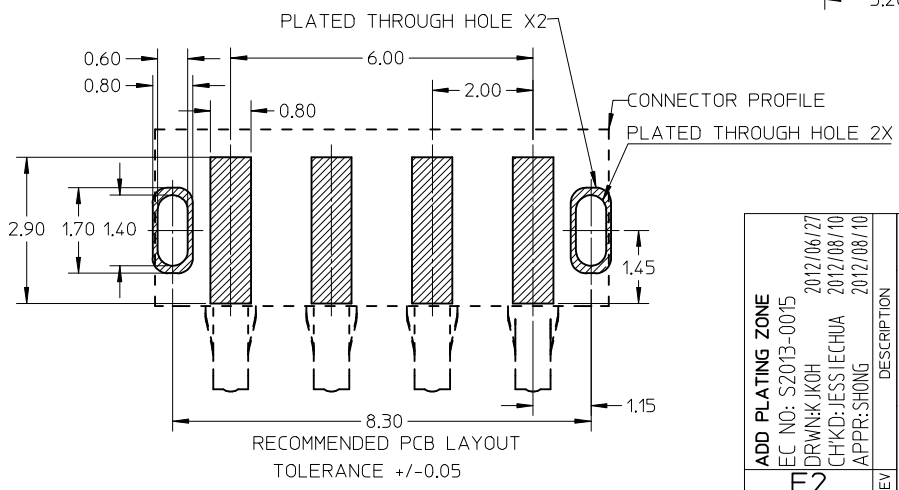


NOTES:

- 1 MATERIAL:
 - 1-1 TERMINAL : BERYLLIUM COPPER, THICKNESS 0.20MM
 - 1-2 HOUSING : HIGH TEMPERATURE THERMAL PLASTIC
 - 1-3 FITTING NAIL : BRASS, THICKNESS 0.30MM
 - 1-4 MYLAR : THICKNESS 0.15MM
- 2 FINISH:
 - 2-1 TERMINAL :
 - 50~150μ NICKEL UNDER PLATED
 - 30μ MIN GOLD PLATING ON CONTACT AREA
 - 3μ MIN GOLD FLASH ON SOLDERING AREA
 - 2-2 FITTING NAIL :
 - 50~200μ NICKEL UNDER PLATED
 - 100~200μ TIN PLATED ON SOLDERING AREA
- 3 MECHANICAL SPECIFICATION:
 - 3-1 FORCE : 135±25g/ 0.7mm AWAY FROM HOUSING SURFACE
 - 3-2 MATING CYCLES : 10,000 TIMES
- 4 ELECTRICAL SPECIFICATION:
 - 4-1 RATED VOLTAGE : 200 VOLTS RMS MAX.
 - 4-2 RATED CURRENT : 1.5 AMPS CONTINUOUS AND 2 AMPS PULSES
 - 4-3 CONTACT RESISTANCE : 25 MILLIOHMS MAX.
- 5 ADHIBIT MYLAR AFTER ASSEMBLY PROCESS
- 6 COMPLIANT TO ROHS DIRECTIVE 2002/95/EC AND ELV 2000/53/EC.



ADD PLATING ZONE EC NO: S2013-0015 DRW: KJQH 2012/06/27 CHKD: JESSIE CHUA 2012/08/10 APPR: SHONG 2012/08/10	QUALITY SYMBOLS ▽=0 ◻=0	GENERAL TOLERANCES (UNLESS SPECIFIED)		DIMENSION STYLE	SCALE	DESIGN UNITS	THIRD ANGLE PROJECTION	
				MM ONLY	10:1	METRIC	⊙ □	
				DRAWN BY	DATE	TITLE		
				CHECKED BY	DATE	2.0MM PITCH 4 PINS T/H SIDE CONTACT BATTERY CONN.		
F2 REV	DESCRIPTION	4 PLACES	± ---	± ---	XU XIANG	2006-06-29	MOLEX INCORPORATED	
		3 PLACES	± ---	± ---				
		2 PLACES	± 0.15	± ---	XU XIANG	2007/03/14		
		1 PLACE	± ---	± ---				
		ANGULAR ± ---°		APPROVED BY	DATE			
		DRAFT WHERE APPLICABLE MUST REMAIN WITHIN DIMENSIONS		JNCHEN	2007/03/19			
				MATERIAL NO.	DOCUMENT NO.	SHEET NO.		
				SEE TABLE	SD-47507-001	1 OF 1		
				THIS DRAWING CONTAINS INFORMATION THAT IS PROPRIETARY TO MOLEX INCORPORATED AND SHOULD NOT BE USED WITHOUT WRITTEN PERMISSION				