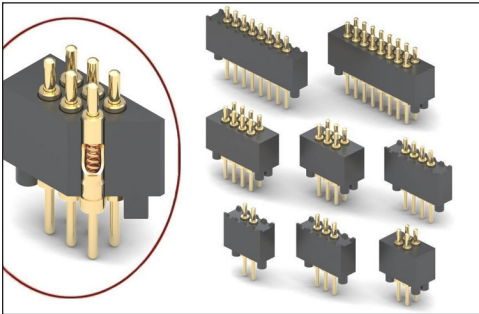


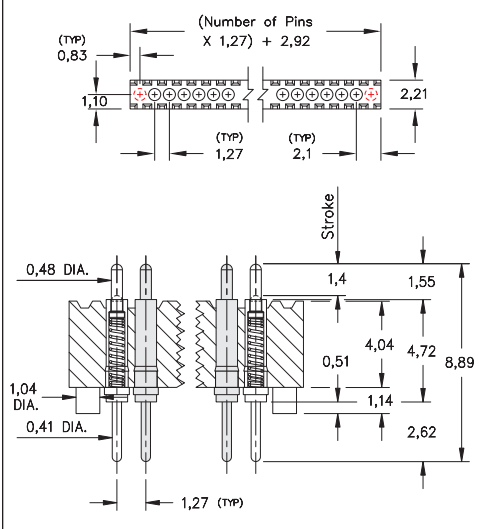
# SPRING-LOADED CONNECTORS

## SERIES 854 & 855 • 1,27 GRID THROUGH-HOLE MOUNT • SINGLE AND DOUBLE ROW STRIPS

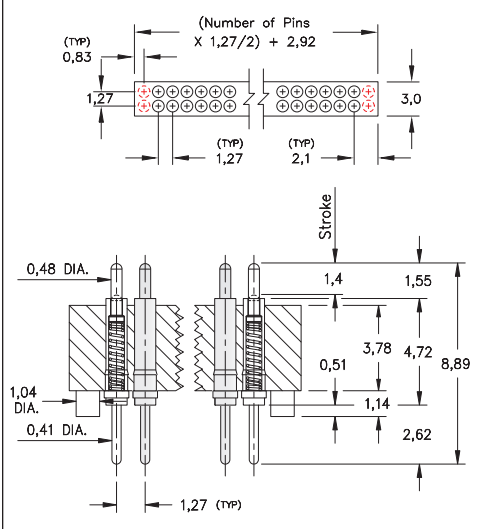


- Modular contacts for use on 1,27 grid, supplied in single and double row contact strips
- Precision-machined piston / base and gold-plated components assure a 1,000,000 cycle life durability
- Pistons have a 0,7 mid. stroke and a 1,4 max. stroke
- Low resistance, high current contacts are rated at 2 amps continuous, 3 amps peak
- High temperature thermoplastic insulators are suitable for wave and reflow processes
- Both 854 & 855 series contact strips are designed for manual placement into  $\varnothing 0,58 \pm 0,08$  plated through-holes in the circuit board prior to hand, wave or reflow soldering

### SINGLE ROW Series 854



### DOUBLE ROW Series 855



## ORDERING INFORMATION

### Single Row Series 854

854-22-0XX-10-001101

Specify number of contacts 02-20

### Double Row Series 855

855-22-0XX-10-001101

Specify number of contacts 04-40

## Technical Specifications

### Materials:

Contact piston & base: Machined copper alloy plated 0,51  $\mu\text{m}$  gold over 2,54  $\mu\text{m}$  nickel  
 Spring: Beryllium copper-plated 0,25  $\mu\text{m}$  gold  
 Insulator: High temperature thermoplastic, rated UL94 V-0

### Mechanical:

Spring force @ initial height: 25 grams  
 Spring force @ mid stroke (0,7): 60 grams  
 Durability: 1,000,000 cycles

### Electrical:

Voltage rating: 100Vrms/150Vdc  
 Current rating: 2A (continuous), 3A (peak) per contact  
 Contact resistance: 20m $\Omega$  max.  
 Insulation resistance: 10,000M $\Omega$  min.  
 Dielectric strength: 700Vrms min.  
 Capacitance: 1pF max.

RoHS-2  
2011/65/EU

