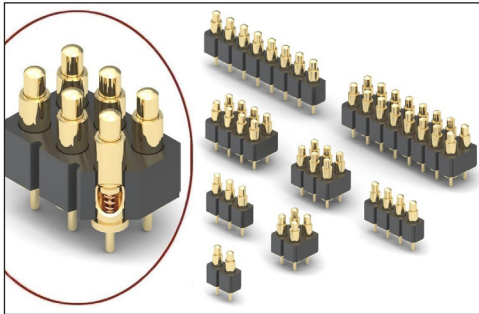


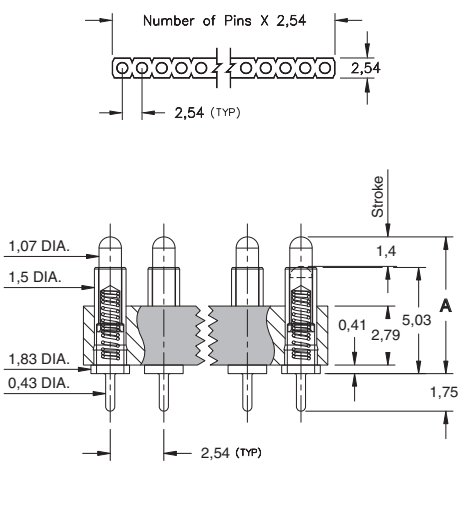
# SPRING-LOADED CONNECTORS

## SERIES 816 & 818 • 2,54 GRID THROUGH-HOLE MOUNT, MID PROFILE • SINGLE AND DOUBLE ROW STRIPS

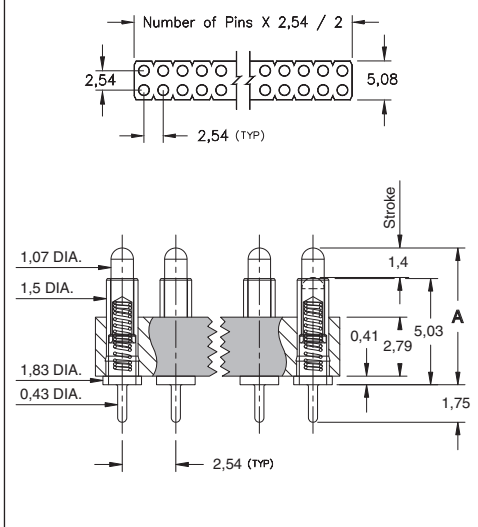


- Modular contacts for use on 2,54 grid, available in ten heights from 6,48 to 10,92, supplied in single and double row contact strips
- Precision-machined piston / base and gold-plated components assure a 1,000,000 cycle life durability
- Pistons have a 0,7 mid stroke & 1,4 max. stroke
- Low resistance, high current contacts are rated at 2 amps continuous, 3 amps peak
- High temperature thermoplastic insulators are suitable for surface mount processes
- Both 816 & 818 series contact strips are designed for manual placement into  $\varnothing 0,58 \pm 0,08$  plated through-holes in the circuit board prior to intrusive reflow soldering

### SINGLE ROW Series 816...00X101



### DOUBLE ROW Series 818...00X101



## ORDERING INFORMATION

### Single Row Series 816...00X101

816-22-0XX-10-00X101

Specify number of contacts 02-64      Specify contact style 0-9

### Double Row Series 818...00X101

818-22-0XX-10-00X101

Specify number of contacts 04-72      Specify contact style 0-9

| CONTACT STYLE | INITIAL HEIGHT A | CONTACT STYLE | INITIAL HEIGHT A |
|---------------|------------------|---------------|------------------|
| 0             | 6,48             | 5             | 8,89             |
| 1             | 6,99             | 6             | 9,4              |
| 2             | 7,49             | 7             | 9,91             |
| 3             | 8,0              | 8             | 10,41            |
| 4             | 8,51             | 9             | 10,92            |

## Technical Specifications

### Materials:

Contact piston & base: Machined copper alloy plated 0,51 $\mu$ m, gold over 2,54 $\mu$ m nickel  
 Spring: Beryllium copper-plated 0,25 $\mu$ m gold  
 Insulator: High temperature thermoplastic, rated UL94 V-0

### Mechanical:

Spring force @ initial height (A): 25 grams  
 Spring force @ mid stroke (0,7): 60 grams  
 Durability: 1,000,000 cycles

### Electrical:

Voltage rating: 100Vrms/150Vdc  
 Current rating: 2A (continuous), 3A (peak) per contact  
 Contact resistance: 20m $\Omega$  max.  
 Insulation resistance: 10,000M $\Omega$  min.  
 Dielectric strength: 700Vrms min.  
 Capacitance: 1pF max.

RoHS-2  
2011/65/EU

