

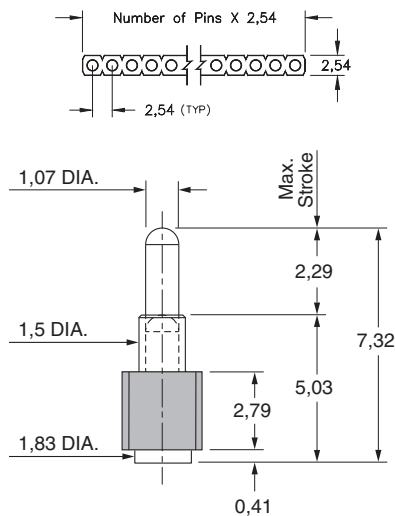
# SPRING-LOADED CONNECTORS

## SERIES 819 & 820 • 2,54 GRID SURFACE MOUNT, LONG STROKE • SINGLE AND DOUBLE ROW STRIPS



- Modular contacts for use on 2,54 grid, available in a height of 7,32, supplied in single and double row contact strips
- Precision-machined piston / base and gold-plated components assure up to 1,000,000 cycle life durability
- Pistons have a 1,14 mid. stroke and a 2,29 max. stroke
- Low resistance, high current contacts are rated at 2 amps continuous, 3 amps peak
- High temperature thermoplastic insulators are suitable for surface mount processes
- Both 819 & 820 series contact strips are designed for placement onto a Ø 2,08 solder pad prior to reflow soldering
- Both 819 & 820 series, are available on carrier tape and fitted with vacuum pick-up clips for automated pick and place assembly. Tape and Reel packaging per EIA-481. See page 12.1 for strip lengths available and ordering information

### SINGLE ROW Series 819



## ORDERING INFORMATION

### Single Row Series 819

819-22-0XX-30-001101

Specify number of contacts 01-64

For 819 and 820 Tape & Reel packaging, see page 12.1

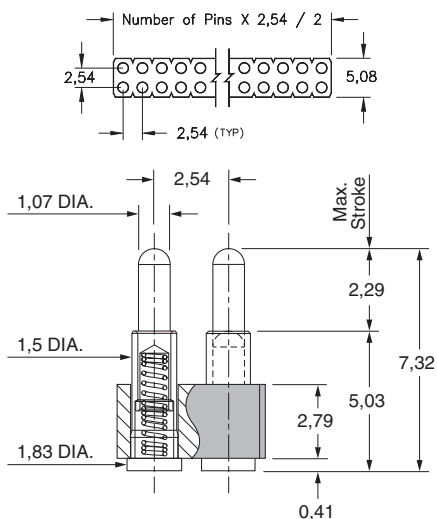
### Double Row Series 820

820-22-0XX-30-001101

Specify number of contacts 04-72

For 819 and 820 Tape & Reel packaging, see page 12.1

### DOUBLE ROW Series 820



## Technical Specifications

### Materials:

Contact piston & base: Machined copper alloy plated 0,51 µm gold over 0,25 µm nickel  
 Spring: Beryllium copper-plated 0,25 µm gold  
 Insulator: High temperature thermoplastic, rated UL94 V-0

### Mechanical:

Spring force @ initial height: 25 grams  
 Spring force @ mid stroke (1,14): 60 grams  
 Durability: Up to 1,000,000 cycles

### Electrical:

Voltage rating: 100Vrms/150Vdc  
 Current rating: 2A (continuous), 3A (peak) per contact  
 Contact resistance: 20mΩ max.  
 Insulation resistance: 10,000MΩ min.  
 Dielectric strength: 700Vrms min.  
 Capacitance: 1pF max.

RoHS-2  
2011/65/EU

