

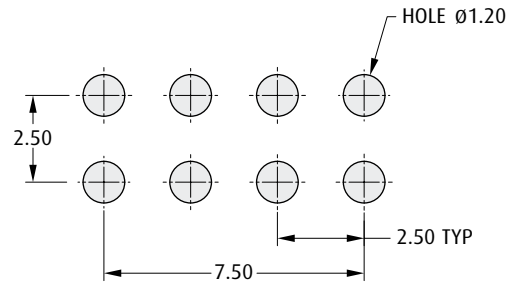
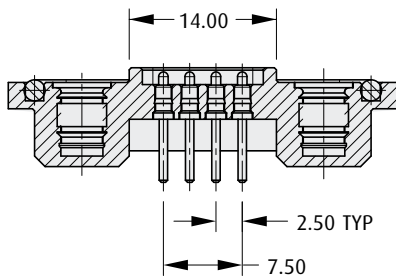
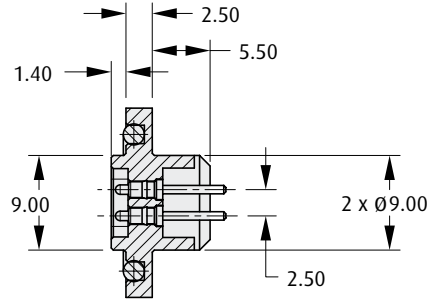
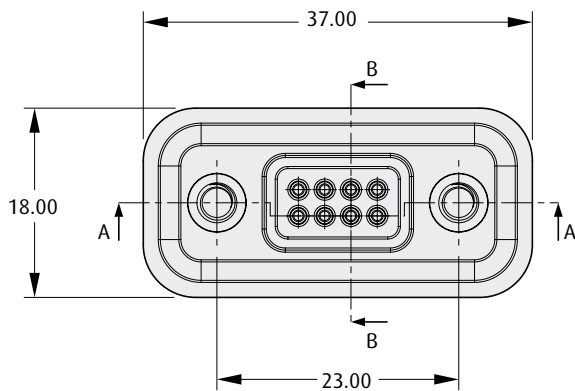
M90 Connectors

Female PC Tail Hot Shoe Connector



- ❖ Contact technical@harwin.com for alternative contact configurations and designs.
- ❖ Spring probe design for maintaining a positive force against the mating connector – see page 124.

SPRING PROBE ASSEMBLY



Recommended PC Board Pattern

HOW TO ORDER

M90 - 601 XX 45

SERIES CODE

TYPE

FINISH

45

Gold



NO. OF WAYS PER ROW

08

www.harwin.com

All dimensions in mm.

